

HARRINGTON
A KITO GROUP COMPANY



EM/SEM

Mini Electric Chain Hoists

Working Harder For You

In 1876, Edwin Harrington dramatically improved the self-sustaining hoist by introducing the worm-gear design. Since then, the company he founded has earned a proud reputation for product innovations and consistent quality that our customers count on to meet their diverse requirements.

Over the years we have developed and grown by recognizing the value of our customers and responding to your needs. The daily mission of our organization is to provide you, the customer, with the highest quality in our products, service and support.

In addition to our superior products and expanded facilities, we offer a Sales and Customer Service team that is dedicated to serving you, a well qualified Engineering Department to support your technical needs and a full support staff who all know the importance of working together to provide solutions for your material handling projects.

We are working harder to be the supplier-of-choice for all of your hoist and crane applications.

Table of Contents

EM/SEM Mini Electric Chain Hoists

Unique Features	4
Features and Benefits	6

EM Three Phase Mini Electric Chain Hoists

Standard Specifications and Dimensions	8
--	---

SEM Single Phase Mini Electric Chain Hoists

Standard Specifications and Dimensions	12
--	----

Options and Technical Data	16
----------------------------------	----

Conformance	17
-------------------	----

Product Code	18
--------------------	----

Complete Product Offering	19
---------------------------------	----

EM/SEM Mini Electric Chain Hoists

Unique Features

UL Listed

Certified and listed to UL1340 "Standard for Hoists" and CSA 22.2 No. 33 for "Construction and Test for Electric Cranes and Hoists."



High Performance Motor Brake

Fast acting and durable current driven electromagnetic brake. **5 year warranty.**



Unique Chain Guide

Discharges chain from the side of the host body preventing tangling when winding up slack chain.



Forged Carbon Steel Hooks

Under excessive loads will open gradually and not fracture. Ball bearings produce smooth rotation. Bottom hook will swivel 360 degrees. Heavy-duty hook latches are standard.



Solid State Relay Board

Has no mechanical contacts for extended lifetime and microcontroller provides protection from fast reverse, phase loss & reversal (3ph), overcurrent, overtemperature, and overvoltage. Includes electronic overload limiter and an LED error indicator.



Low Profile Upper Limit Switch

Protects the hoist from overwinding and offers exceptional headroom.



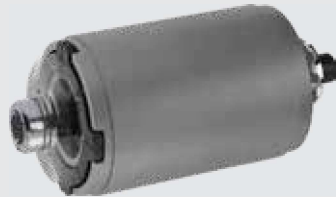
Sleek Rounded IP65 Body

Compact and rugged die-cast aluminum body with no sharp edges. Superior ingress protection makes it suitable for both indoor and outdoor applications.



Friction Clutch

Rotor integrated friction clutch outside of the load path provides consistent performance over a wide temperature range.



Grease-Packed Gearbox

For demanding industrial applications.



Nickel-Plated Load Chain

Grade 80, super strength load chain with superior corrosion resistance.



Durable Push Button Pendant

Easy to use, one-handed operation. Emergency Stop is standard.



Easy Access Suspension

External pin allows for quick change from hook to lug for trolley mount configurations.

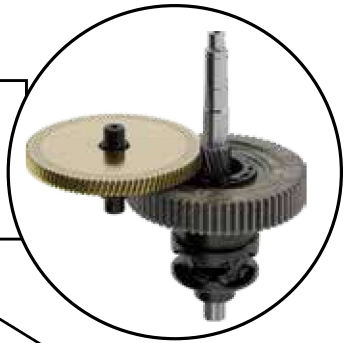


EM/SEM Mini Electric Chain Hoists



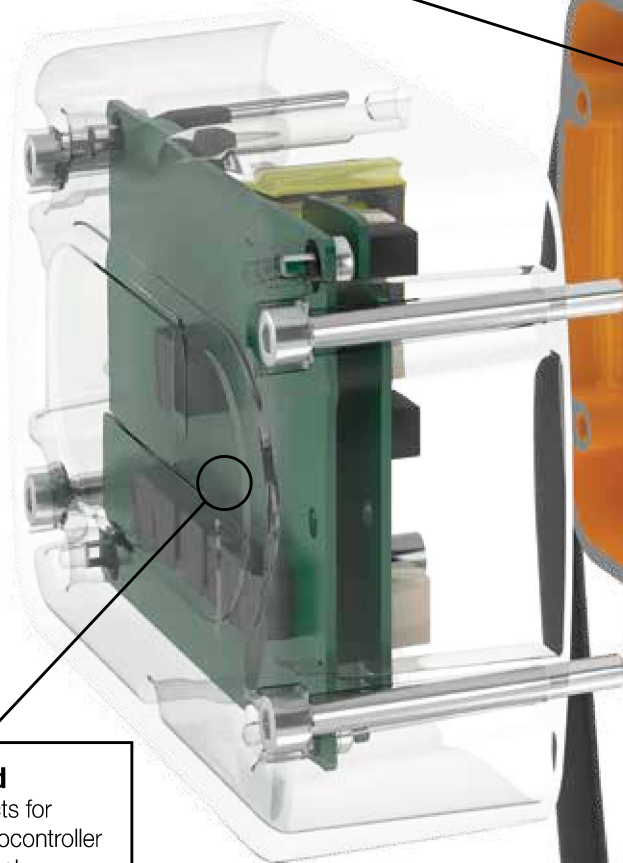
High Performance Motor Brake

Fast acting and durable current driven electromagnetic brake. 5 year warranty.



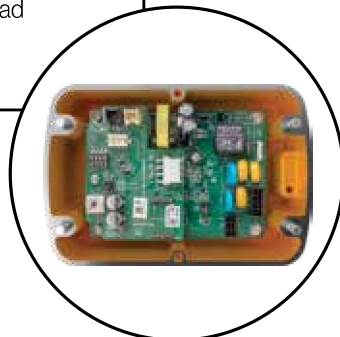
Grease-Packed Gearbox

For demanding industrial applications.



Solid State Relay Board

Has no mechanical contacts for extended lifetime and microcontroller provides protection from fast reverse, phase loss & reversal (3ph), overcurrent, overtemperature, and overvoltage. Includes electronic overload limiter and an LED error indicator.



Nickel-Plated Load Chain

Grade 80, super strength load chain with superior corrosion resistance.

Completely Sealed Housing

IP65 rated and UL approved for both indoor and outdoor applications.

 **UL** US
LISTED **ELECTRIC HOIST 4JY8**
Elizabethtown



Standard Swivel Hook

Prevents twists in rigging.
Optional fixed hook available.

Operating Conditions

Recommended for -4° to +104° F (EM); +14° to +104° F (SEM) and to humidity of 85% or less.

Friction Clutch

Rotor integrated friction clutch outside of the load path provides consistent performance over a wide temperature range.



Sleek Rounded Body

Compact and rugged die-cast aluminum body with no sharp edges.



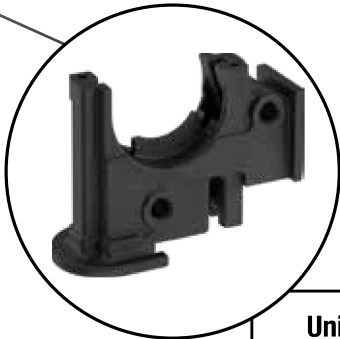
Low Profile Upper Limit Switch

Protects the hoist from overwinding and offers exceptional headroom.



Unique Chain Guide

Discharges chain from the side of the hoist body preventing tangling when winding up slack chain. Heat treated for durability.



EM Mini Electric Chain Hoists with Hook Suspension



EM003L

Our EM Series three phase mini electric chain hoists were designed with a state-of-the-art control system using Solid State Relay (SSR) technology and a microcontroller (MCU) to increase the longevity of the hoist and provide superior safety functions. These high quality, low-headroom, full-featured hoists provide reliable performance in medium- to heavy-duty industrial settings, rental and repair shops and garages.

Features and Benefits

UL® Listed

Certified and listed to UL 1340 "Standard for Hoists" and CSA 22.2 No. 33 "Construction and Test of Electric Cranes and Hoists."

High Performance Motor Brake

Fast acting and durable current driven electromagnetic brake.

5 year warranty.

Unique Chain Guide

Discharges chain from the side of the host body preventing tangling when winding up slack chain. Heat treated for durability.

Forged Carbon Steel Hooks

Under excessive loads will open gradually and not fracture. Ball bearings produce smooth rotation. Bottom hook will swivel 360°. Heavy-duty hook latches are standard.

Solid State Relay Board

Has no mechanical contacts for extended lifetime and microcontroller provides protection from fast reverse, phase loss and reversal, overcurrent, overtemperature, and overvoltage. Includes electronic overload limiter and an LED error indicator.

Sleek Rounded IP65 Body

Compact and rugged die-cast aluminum body with no sharp edges. Superior ingress protection makes it suitable for both indoor and outdoor applications.

Friction Clutch

Rotor integrated friction clutch outside of the load path provides consistent performance over a wide temperature range.

Grease-Packed Gearbox

For demanding industrial applications.

Nickel-Plated Load Chain

Grade 80, super strength load chain with superior corrosion resistance.

Chain Container

Optional black canvas chain container designed with two secure attachment points.

Standard Hoist Specifications

Capacity Range

250 – 1000 lbs

Standard Voltages

(200-230)-3-60;
200-3-50;
(380-460)-3-60;
(380-400)-3-50

Control Voltage

DC24V

Duty Cycle*

30 minutes

Classification*

ASME H4
ISO M5
FEM 2m

Conformance*

UL1340/CSA 22.2
ASME B30.16

Ratings

Hoist - IP65

Standard Lift

10' (other lengths available)

Standard Pendant Length

Standard pendant hangs approximately 4' above the hoist's fully extended bottom hook (longer lengths available)

Power Supply Cord

15' (longer lengths available)

Operating conditions

Recommended for -4° to +104° F and humidity of 85% or less

Overload protection

Standard
Electronic through SSR board

Over-lifting protection

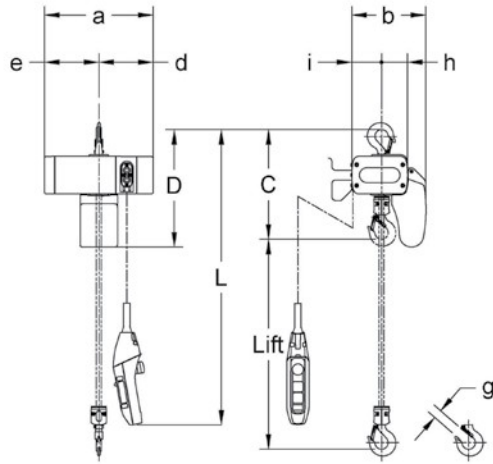
Standard
Friction clutch outside of load path
Upper limit switch

*See page 17 for additional information.

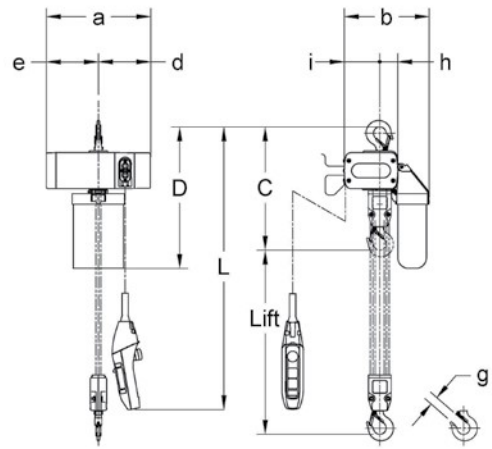
HARRINGTON EM/SEM MINI ELECTRIC CHAIN HOISTS



EM005C



EM003L



EM005C

EM 3-PHASE SINGLE SPEED HOIST — SPECIFICATIONS

Cap. (lb)	Product Code	Standard Lift (ft)	Push Button Cord L (ft)	Lifting Motor 3 Phase 60 Hz				Lifting Motor 3 Phase 50 Hz				Load Chain Diameter (mm) x Chain Fall Lines	Net Weight (lb)	Weight for Additional One Foot of Lift (lb)
				Lifting Speed (ft/min)	Output (Hp)	Rated Current (amps)		Lifting Speed (ft/min)	Output (Hp)	Rated Current (amps)				
						@200 – 230V	@380 – 460V			@200V	@380 – 400V			
250	EM001S	10	8.2	32	0.34	1.4	0.7	26	0.34	1.4	0.6	4.0 x 1	30.9	0.24
500	EM003L			16	0.34	1.4	0.7	13	0.34	1.4	0.6	4.0 x 1	30.9	0.24
1000	EM005C			8	0.34	1.4	0.7	6.5	0.34	1.4	0.6	4.0 x 2	35.3	0.48

EM 3-PHASE SINGLE SPEED HOIST — DIMENSIONS

Cap. (lb)	Product Code	Headroom C (in)	D (in)	a (in)	b (in)	d (in)	e (in)	g (in)	h (in)	i (in)
250	EM001S	11.6	12.4	11.5	7.9	5.7	5.7	0.9	2.8	3.1
500	EM003L	11.6	12.4	11.5	7.9	5.7	5.7	0.9	2.8	3.1
1000	EM005C	13.6	16.1	11.5	9.4	5.7	5.7	0.9	2	3.9

EMP Mini Electric Chain Hoists with Push Trolley

Harrington's EM series three-phase mini electric chain hoist can be paired with our PT push trolley when you need to move material distances. This combination is ideal for workstations and occasional moves.



Features and Benefits

UL® Listed

Certified and listed to UL 1340 "Standard for Hoists" and CSA 22.2 No. 33 "Construction and Test of Electric Cranes and Hoists."

High Performance Motor Brake

Fast acting and durable current driven electromagnetic brake.

5 year warranty.

Unique Chain Guide

Discharges chain from the side of the host body preventing tangling when winding up slack chain. Heat treated for durability.

Forged Carbon Steel Hooks

Under excessive loads will open gradually and not fracture. Ball bearings produce smooth rotation. Bottom hook will swivel 360°. Heavy-duty hook latches are standard.

Solid State Relay Board

Has no mechanical contacts for extended lifetime and microcontroller provides protection from fast reverse, phase loss and reversal, overcurrent, overtemperature, and overvoltage. Includes electronic overload limiter and an LED error indicator.

Sleek Rounded IP65 Body

Compact and rugged die-cast aluminum body with no sharp edges. Superior ingress protection makes it suitable for both indoor and outdoor applications.

Friction Clutch

Rotor integrated friction clutch outside of the load path provides consistent performance over a wide temperature range.

Grease-Packed Gearbox

For demanding industrial applications.

Nickel-Plated Load Chain

Grade 80, super strength load chain with superior corrosion resistance.

Chain Container

Optional black canvas chain container designed with two secure attachment points.

EMPO03L

Standard Trolley Specifications

Capacity Range

250 – 1000 lbs

Shafts

Standard shafts fit wide range
Longer shafts for wider beams
Spacers for easy adjustments

Drop Stops

Standard

Bumpers

Optional

Wheels

All steel
Sealed ball bearings
Fit flat or tapered beam flange

Standard Pendant Length

Standard pendant hangs approximately 4' above the hoist's fully extended bottom hook (longer lengths available)

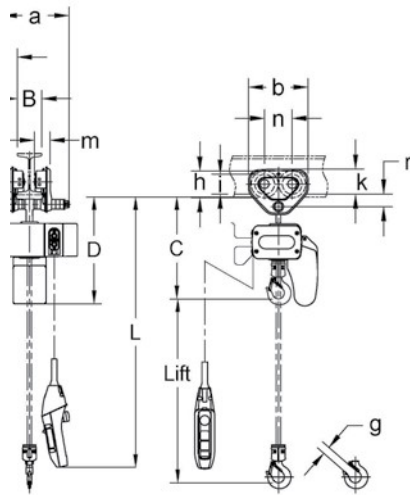
Standard Power Supply Length

15' (longer lengths available)

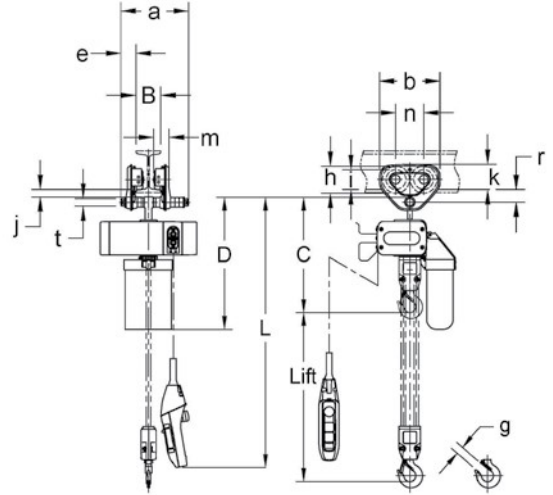
HARRINGTON EM/SEM MINI ELECTRIC CHAIN HOISTS



EMP003L



EMP003L



EMP005C

EMP 3-PHASE SINGLE SPEED HOIST WITH PUSH TROLLEY — SPECIFICATIONS

Cap. (lb)	Product Code	Standard Lift (ft)	Push Button Cord L (ft)	Lifting Motor 3 Phase 60 Hz				Lifting Motor 3 Phase 50 Hz				Flange Width Adjustability B (in)		Minimum Allow. Radius for Curve (in)	Load Chain Diameter (mm) x Chain Fall Lines	Net Weight (lb)	Weight for Additional One Foot of Lift (lb)
				Lifting Speed (ft/min)	Output (Hp)	Rated Current (amps)		Lifting Speed (ft/min)	Output (Hp)	Rated Current (amps)		Standard	Optional				
						@200-230V	@380-460V			@200V	@380-400V						
250	EMP001S	10	8.2	32	0.34	1.4	0.7	26	0.34	1.4	0.6	2.28 to 4.00	4.01 to 8.00 OR 8.01 to 12.00	43.3	4.0 x 1	39.7	0.24
500	EMP003L			16	0.34	1.4	0.7	13	0.34	1.4	0.6				4.0 x 1	39.7	0.24
1000	EMP005C			8	0.34	1.4	0.7	6.5	0.34	1.4	0.6				4.0 x 2	44.1	0.48

EMP 3-PHASE SINGLE SPEED HOIST WITH PUSH TROLLEY — DIMENSIONS

Cap. (lb)	Product Code	Headroom C (in)	D (in)	a (in)	b (in)	e (in)	g (in)	h (in)	i (in)	j (in)	k (in)	m (in)	n (in)	r (in)	t (in)
250	EMP001S	12.2	13	8.0	7.2	1.8	0.9	3.2	2.4	0.8	3.0	1.9	3.3	1.5	0.9
500	EMP003L	12.2	13	8.0	7.2	1.8	0.9	3.2	2.4	0.8	3.0	1.9	3.3	1.5	0.9
1000	EMP005C	14.3	16.7	8.0	7.2	1.8	0.9	3.2	2.4	0.8	3.0	1.9	3.3	1.5	0.9

SEM Mini Electric Chain Hoists with Hook Suspension



SEM003L

Harrington's SEM series single phase mini electric chain hoists are designed for areas that offer only single phase power. Built for durability and safety with Solid State Relay (SSR) technology and a microcontroller unit (MCU), this hoist delivers reliable operation in places with limited space.

Features and Benefits

UL® Listed

Certified and listed to UL 1340 "Standard for Hoists" and CSA 22.2 No. 33 "Construction and Test of Electric Cranes and Hoists."

High Performance Motor Brake

Fast acting and durable current driven electromagnetic brake.

5 year warranty.

Unique Chain Guide

Discharges chain from the side of the hoist body preventing tangling when winding up slack chain. Heat treated for durability.

Forged Carbon Steel Hooks

Under excessive loads will open gradually and not fracture. Ball bearings produce smooth rotation. Bottom hook will swivel 360°. Heavy-duty hook latches are standard.

Solid State Relay Board

Has no mechanical contacts for extended lifetime and microcontroller provides protection from fast reverse, overcurrent, overtemperature, and overvoltage. Includes electronic overload limiter and an LED error indicator.

Sleek Rounded IP65 Body

Compact and rugged die-cast aluminum body with no sharp edges. Superior ingress protection makes it suitable for both indoor and outdoor applications.

Friction Clutch

Rotor integrated friction clutch outside of the load path provides consistent performance over a wide temperature range.

Grease-Packed Gearbox

For demanding industrial applications.

Nickel-Plated Load Chain

Grade 80, super strength load chain with superior corrosion resistance.

Chain Container

Optional black canvas chain container designed with two secure attachment points.

Standard Hoist Specifications

Capacity Range

500 – 1000 lbs

Standard Voltages

(115-120)-1-60;
(220-230)-1-60

Control Voltage

DC24V

Duty Cycle*

30 minutes

Classification*

ASME H4
ISO M5
FEM 2m

Conformance*

UL1340/CSA 22.2
ASME B30.16

Ratings

Hoist - IP65

Standard Lift

10' (other lengths available)

Standard Pendant Length

Standard pendant hangs approximately 4' above the hoist's fully extended bottom hook (longer lengths available)

Power Supply Cord

15' (longer lengths available)

Operating conditions

Recommended for +14° to +104° F and humidity of 85% or less

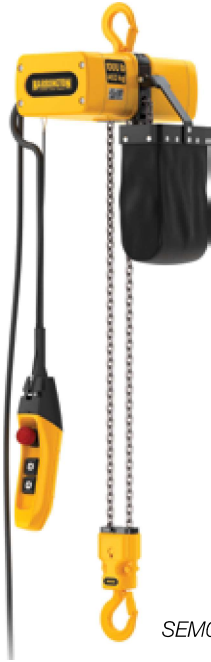
Overload protection

Standard
Electronic through SSR board

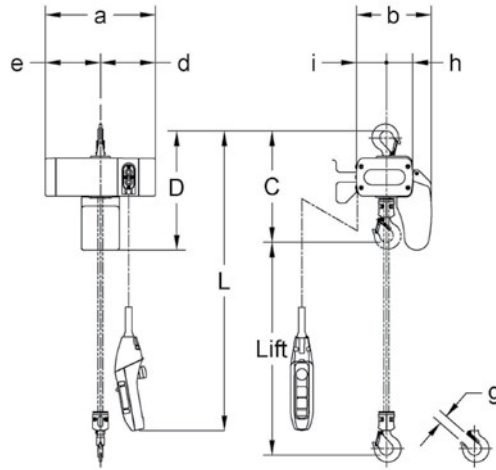
Over-lifting protection

Standard
Friction clutch outside of load path
Upper limit switch

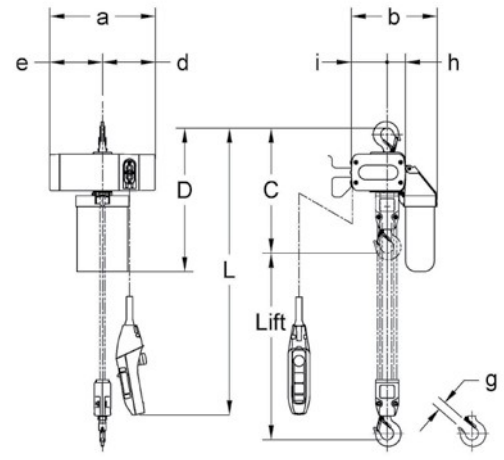
HARRINGTON EM/SEM MINI ELECTRIC CHAIN HOISTS



SEM005C



SEM003L



SEM005C

SEM 1-PHASE SINGLE SPEED HOIST — SPECIFICATIONS

Cap. (lb)	Product Code	Standard Lift (ft)	Push Button Cord L (ft)	Lifting Motor 1 Phase 60 Hz				Load Chain Diameter (mm) x Chain Fall Lines	Net Weight (lb)	Weight for Additional One Foot of Lift (lb)
				Lifting Speed (ft/min)	Output (Hp)	Rated Current (amps)				
						@115 – 120V	@220 – 230V			
500	SEM003L	10	8.2	12	0.22	4.6	2.3	4.0 x 1	30.9	0.24
1000	SEM005C			6	0.22	4.6	2.3	4.0 x 2	35.3	0.48

SEM 1-PHASE SINGLE SPEED HOIST — DIMENSIONS

Cap. (lb)	Product Code	Headroom C (in)	D (in)	a (in)	b (in)	d (in)	e (in)	g (in)	h (in)	i (in)
500	SEM003L	11.6	12.4	11.5	7.9	5.7	5.7	0.9	2.8	3.1
1000	SEM005C	13.6	16.1	11.5	9.4	5.7	5.7	0.9	2	3.9

SEMP Mini Electric Chain Hoists with Push Trolley



Harrington's SEM Series single-phase mini electric chain hoist can be paired with our PT push trolley to transport material from one location to another. This combination is the best choice for work that requires infrequent moves in an area that has single phase power available.

Features and Benefits

UL® Listed

Certified and listed to UL 1340 "Standard for Hoists" and CSA 22.2 No. 33 "Construction and Test of Electric Cranes and Hoists."

High Performance Motor Brake

Fast acting and durable current driven electromagnetic brake.

5 year warranty.

Unique Chain Guide

Discharges chain from the side of the host body preventing tangling when winding up slack chain. Heat treated for durability.

Forged Carbon Steel Hooks

Under excessive loads will open gradually and not fracture. Ball bearings produce smooth rotation. Bottom hook will swivel 360°. Heavy-duty hook latches are standard.

Solid State Relay Board

Has no mechanical contacts for extended lifetime and microcontroller provides protection from fast reverse, overcurrent, overtemperature, and overvoltage. Includes electronic overload limiter and an LED error indicator.

Sleek Rounded IP65 Body

Compact and rugged die-cast aluminum body with no sharp edges. Superior ingress protection makes it suitable for both indoor and outdoor applications.

Friction Clutch

Rotor integrated friction clutch outside of the load path provides consistent performance over a wide temperature range.

Grease-Packed Gearbox

For demanding industrial applications.

Nickel-Plated Load Chain

Grade 80, super strength load chain with superior corrosion resistance.

Chain Container

Optional black canvas chain container designed with two secure attachment points.

SEMP003L

Standard Trolley Specifications

Capacity Range

500 – 1000 lbs

Shafts

Standard shafts fit wide range
Longer shafts for wider beams
Spacers for easy adjustments

Drop Stops

Standard

Bumpers

Optional

Wheels

All steel
Sealed ball bearings
Fit flat or tapered beam flange

Standard Pendant Length

Standard pendant hangs approximately 4' above the hoist's fully extended bottom hook (longer lengths available)

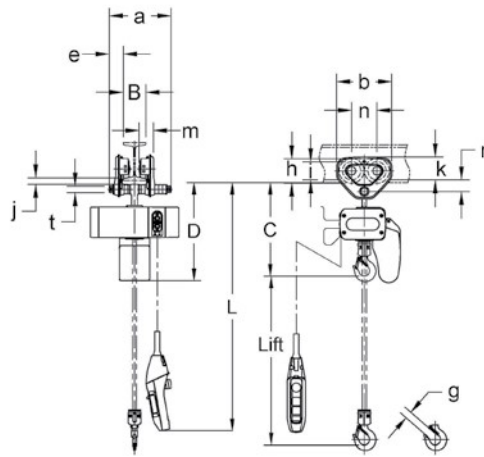
Standard Power Supply Length

15' (longer lengths available)

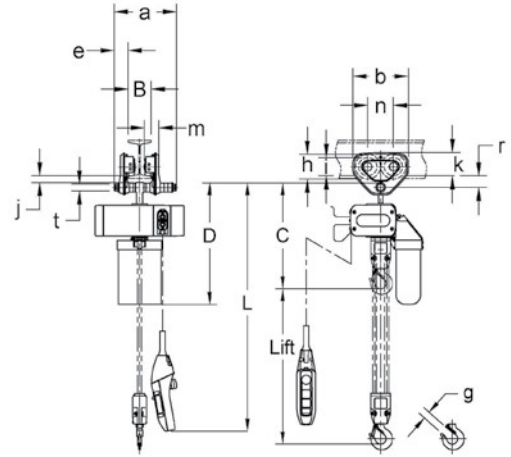
HARRINGTON EM/SEM MINI ELECTRIC CHAIN HOISTS



SEMP003L



SEMP003L



SEMP005C

SEMP 1-PHASE SINGLE SPEED HOIST WITH PUSH TROLLEY — SPECIFICATIONS

Cap. (lb)	Product Code	Standard Lift (ft)	Push Button Cord L (ft)	Lifting Motor 1 Phase 60 Hz				Flange Width Adjustability B (in)		Minimum Allow. Radius for Curve (in)	Load Chain Diameter (mm) x Chain Fall Lines	Net Weight (lb)	Weight for Additional One Foot of Lift (lb)
				Lifting Speed (ft/min)	Output (Hp)	Rated Current (amps)		Standard	Optional				
						@115-120V	@220-230V						
500	SEMP003L	10	8.2	12	0.22	4.6	2.3	2.28 to 4.00	4.01 to 8.00 OR 8.01 to 12.00	43.3	4.0 x 1	39.7	0.24
1000	SEMP005C			6	0.22	4.6	2.3				4.0 x 2	44.1	0.48

SEMP 1-PHASE SINGLE SPEED HOIST WITH PUSH TROLLEY — DIMENSIONS

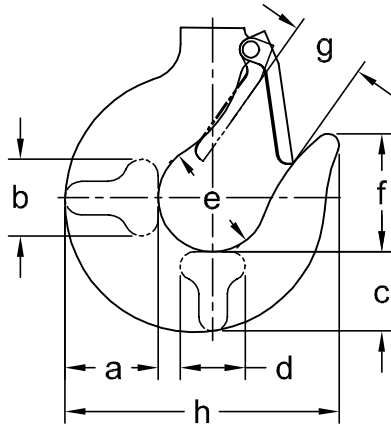
Cap. (lb)	Product Code	Headroom C (in)	D (in)	a (in)	b (in)	e (in)	g (in)	h (in)	i (in)	j (in)	k (in)	m (in)	n (in)	r (in)	t (in)
500	SEMP003L	12.2	13	8.0	7.2	1.8	0.9	3.2	2.4	0.8	3.0	1.9	3.3	1.5	0.9
1000	SEMP005C	14.3	16.7	8.0	7.2	1.8	0.9	3.2	2.4	0.8	3.0	1.9	3.3	1.5	0.9

Options and Technical Data

EM/SEM HOOK—DIMENSIONS

Capacity Code	Hook*	a (in)	b (in)	c (in)	d (in)	e (in)	f (in)	g (in)	h (in)
All Models	T & B	0.8	0.5	0.7	0.5	1.4	1.4	0.9	3.9

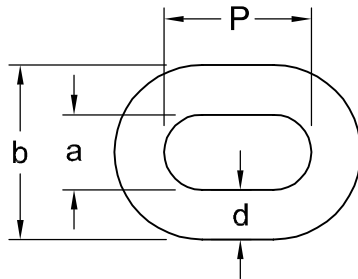
*T=top hook, B=bottom hook.



Hook Dimensions

EM/SEM CHAIN—DIMENSIONS

Cap. (lb)	Product Code	d (in)	a (in)	b (in)	P (in)
250 to 1000	All Models	0.16	0.20	0.53	0.48



Chain Dimensions

Duty Classifications

Hoist duty class	Typical areas of application	Operation time ratings at $K = 0.65$			
		Uniformly distributed work periods		Infrequent work periods	
		Max. on time, min/ hr	Max. No. starts/ hr	Max. on time from cold start, min	Max. No. of starts
H2	Light machine shop fabricating, service, and maintenance; loads and utilization randomly distributed; rated loads infrequently handled	7.6 (12.5%)	75	15	100
H3	General machine shop fabricating, assembly, storage, and warehousing; loads and utilization randomly distributed	15 (25%)	150	30	200
H4	High volume handling in steel warehouses, machine shops, fabricating plants and mills, and foundries; manual or automatic cycling operations in heat treating and plating; loads at or near rated load frequently handled	30 (50%)	300	30	300

The grade symbols are identical to those of ASME HST-1M. (Performance standard for Electric Chain Hoist)
 *K - mean effective load factor

State of loading		Total duration of use (h)							
		200	400	800	1600	3200	6300	12500	25000
Light	Mechanisms subjected very rarely to the maximum load and, normally, to light loads	–	–	M1	M2	M3	M4	M5	M6
Moderate	Mechanisms subjected fairly frequently to the maximum load but, normally, to rather moderate loads	–	M1	M2	M3	M4	M5	M6	–
Heavy	Mechanisms subjected frequently to the maximum load and, normally, to loads of heavy magnitude	M1	M2	M3	M4	M5	M6	–	–
Very heavy	Mechanisms subjected regularly to the maximum load	M2	M3	M4	M5	M6	–	–	–

This classification refers to ISO 4301-1 and applies to the mechanical components including gears and bearings except for consumable parts.

Conformance

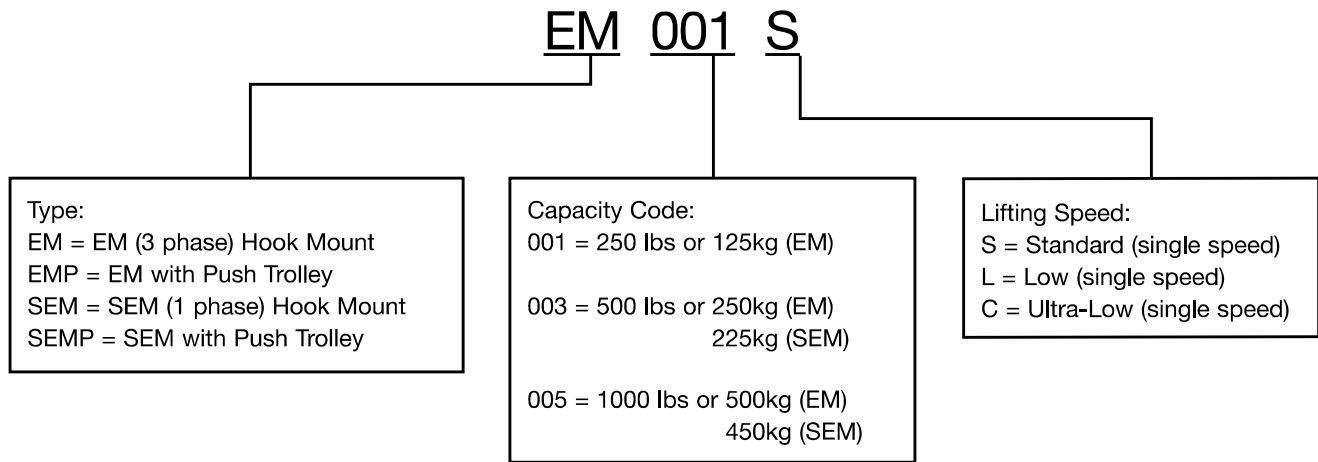
Harrington’s electric chain hoists are produced to comply with:

- UL 1340, “Standard for Hoists” and CSA 22.2 No. 33 “Construction and Test for Electric Cranes and Hoists.”
- ANSI/NFPA 70, “National Electrical Code”
- ANSI/ASME B30.16, “Safety Standard—Overhead Hoists (Underhung)”
- ANSI/ASME HST—1M, “Performance Standard for Electric Chain Hoists”

Harrington’s manual and electric-powered trolleys are produced to comply with the trolley-related requirements of:

- OSHA Section 1910.179 of Title 29, “Occupational Safety and Health Regulations—Overhead and Gantry Cranes”
- ANSI/ASME B30.11, “Safety Standard—Monorails and Underhung Cranes”
- ANSI/ASME B30.17, “Safety Standard—Overhead and Gantry Cranes (Top Running Bridge, Single Girder, Underhung Hoist)”

Product Code for EM/SEM Mini Electric Chain Hoists



Complete Product Offering

Over the years Harrington has continued to respond to the needs of our customers by further expanding our product offerings. In addition to the many models described in this catalog, our full series of product catalogs, as shown below, will provide you with all of the information you will need to answer questions, specify a product and place an order. For catalog copies or answers to specific product questions, please contact our Customer Service Department by calling 800-233-3010 or e-mail customerservice@harringtonhoists.com



Manual Hoist Products Catalog

Refer to this Harrington catalog for detailed information on the following:

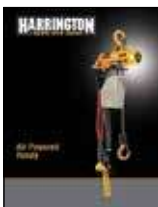
- Lever hoists
- Hand chain hoists
- Hoist and trolley combinations
- Low headroom trolley hoists
- Push and geared trolleys
- Hoist load testers



Electric Chain Hoists Catalog

Refer to this Harrington catalog for detailed information on the following:

- Three phase electric hoists and trolleys
- Single phase electric hoists and trolleys
- Ergonomic electric hoists



Air Powered Hoists Catalog

Refer to this Harrington catalog for detailed information on the following:

- Compact Mini-Cat with pendant, cord and manipulator controls
- Air hoists with pendant and cord controls
- Air trolleys



Electric Wire Rope Hoists Catalog

Refer to this Harrington catalog for detailed information on the following:

- Ultra-low headroom trolley hoists



Complete Cranes Catalog

Refer to this Harrington catalog for detailed information on the following:

- Heavy-duty Class C single girder top running and underhung cranes
- Heavy-duty Class C double girder top running and underhung cranes
- Medium-duty top running and underhung push cranes
- Crane control panels

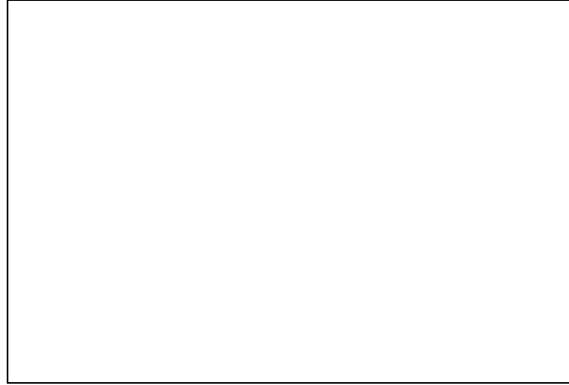


Below-The-Hook and Material Handling Equipment

Refer to this Harrington catalog for detailed information on the following:

- Lifting beams and spreader beams
- Roll lifters, coil lifters and tongs
- Sheet lifters and pallet lifters
- Fork truck accessories
- Material stands and material baskets

CONTACT YOUR NEARBY HARRINGTON DISTRIBUTOR



Warranty

All products sold by Harrington Hoists, Inc. are warranted to be free from defects in material and workmanship from date of shipment by Harrington for the following periods:

1 year—Electric and Air Powered Hoists (excluding (N)ER2 Enhanced Features Models, EQ/SEQ Hoists), Powered Trolleys, Powered Tiger Track Jibs and Gantries, Crane Components, Spare/Replacement Parts, Below-The-Hook and Material Handling Equipment

2 years—Manual Hoists & Trolleys, Beam Clamps

3 years—(N)ER2 Enhanced Features Model Hoists, EQ/SEQ Hoists, EM/SEM Hoists, RY Wire Rope Trolley Hoists

5 years—Manual Tiger Track Jibs and Gantries, TNER, TEM/TSEM, EQ/SEQ and RY Pull-Rotor Motor Brake

10 years—(N)ER2 “The Guardian” Smart Brake

The product must be used in accordance with manufacturer’s recommendations and must not have been subject to abuse, lack of maintenance, misuse, negligence, or unauthorized repairs or alterations.

Should any defect in material or workmanship occur during the above time period in any product, as determined by Harrington Hoist’s inspection of the product, Harrington Hoists, Inc. agrees, at its discretion, either to replace (not including installation) or repair the part or product free of charge and deliver said item F.O.B. Harrington Hoists, Inc. place of business to customer.

Customer must obtain a Return Goods Authorization as directed by Harrington or Harrington’s published repair center prior to shipping product for warranty evaluation. An explanation of the complaint must accompany the product. Product must be returned freight prepaid. Upon repair, the product will be covered for the remainder of the original warranty period. Replacement parts installed after the original warranty period will only be eligible for replacement (not including installation) for a period of one year from the installation date. If it is determined there is no defect, or that the defect resulted from causes not within the scope of Harrington’s warranty, the customer will be responsible for the costs of returning the product.

Harrington Hoists, Inc. disclaims any and all other warranties of any kind expressed or implied as to the product’s merchantability or fitness for a particular application. Harrington will not be liable for death, injuries to persons or property or for incidental, contingent, special or consequential damages, loss or expense arising in connection with the use or inability whatever, regardless of whether damage, loss or expense results from any act or failure to act by Harrington, whether negligent or willful, or from any other reason.

Harrington Hoists, Inc.
401 West End Avenue
Manheim, PA 17545



Toll Free: 800-233-3010
Phone: 717-665-2000
Fax: 717-665-2861

