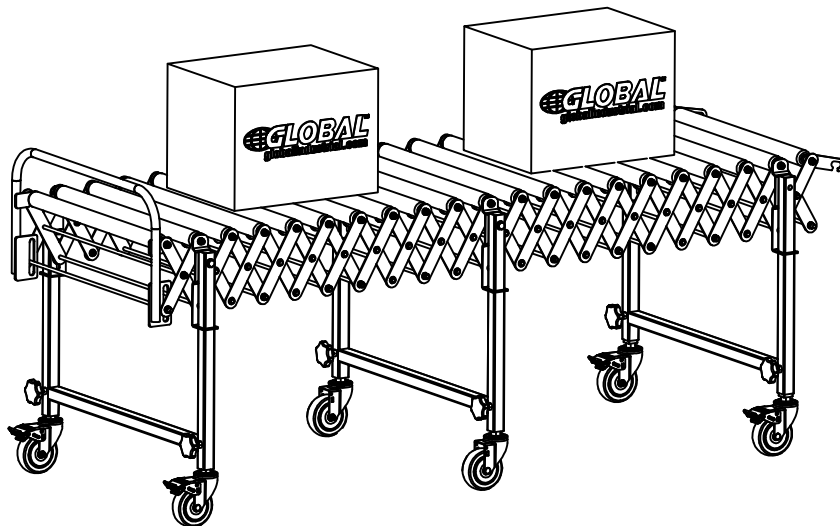


**Portable Flexible
& Expandable Conveyor**

Model 988987 (3leg)



It is the responsibility of the assembler/user to completely read and understand all instructions and safety information before proceeding with assembly. Following these instructions will ensure proper function and safety.

SAFETY INFORMATION

 **DANGER**

- Do not put hands on scissor supports.

 **CAUTION**

- Conveyor is very heavy. Assembly requires more than two people to prevent injury.
- Clean the conveyor regularly to maintain the lifespan.

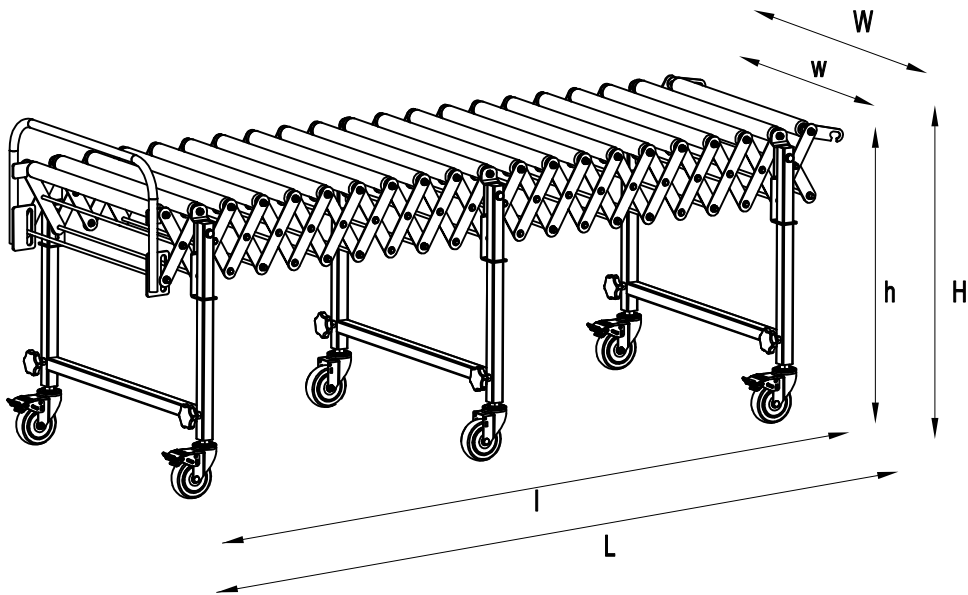
 **WARNING**

- Do not overload. Maximum capacity: 175 lb per foot.
- Keep the casters breaks down while in use.
- Do not stand up on top of the unit.
- Conveyor is not a toy. Not for use by children.
- This product contains chemicals which are known by the state of California to cause cancer, birth defects or other reproductive harm.

**Portable Flexible
& Expandable Conveyor**

SPECIFICATIONS

Model	Roller Material	Effective Width in.	Overall Width in.	Retracted Length ft.	Extended Length ft.	Lowest Height in.	Highest Height in.	Load Cap. lb./ft. ²
	---	w	W	l	L	h	H	---
988987	Steel	24	28.7	2.66	9	27.6	39.4	175



CPMponent Content

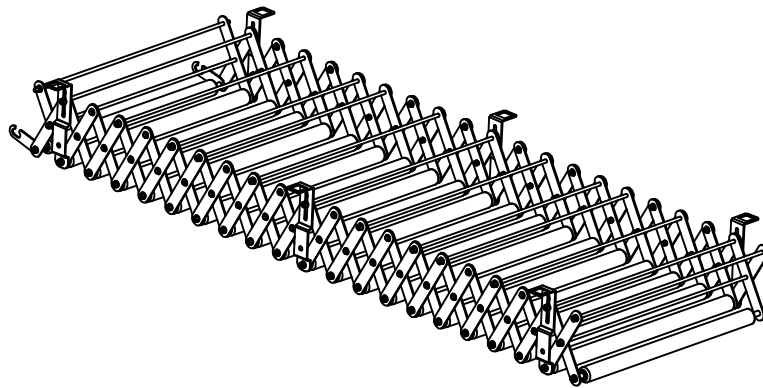
Component	Content	Key	Quantity
	Conveyor body	1	1
	Leg support	2	3
	Swivel caster with brake	3	4
	Swivel caster without brake	4	2
	Box stop/Handle	5	1
	Box wrench17	H1	1
	Leg knob	H2	6
	Box wrench13	H3	1

Portable Flexible & Expandable Conveyor

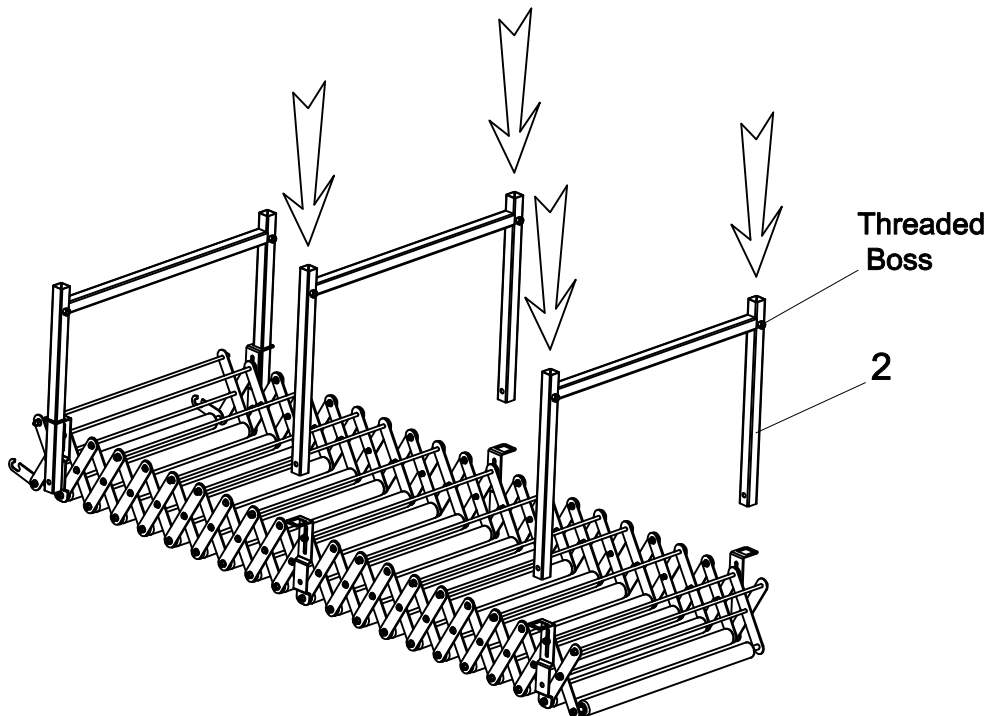
⚠ CAUTION

Conveyor is very heavy. Assembly requires more than two people to prevent injury.

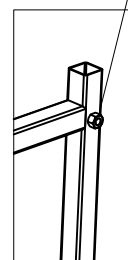
1. Lay conveyor body (1) upside down on a level surface.



2. Insert leg supports (2) into sockets making sure threaded bosses are facing same direction.

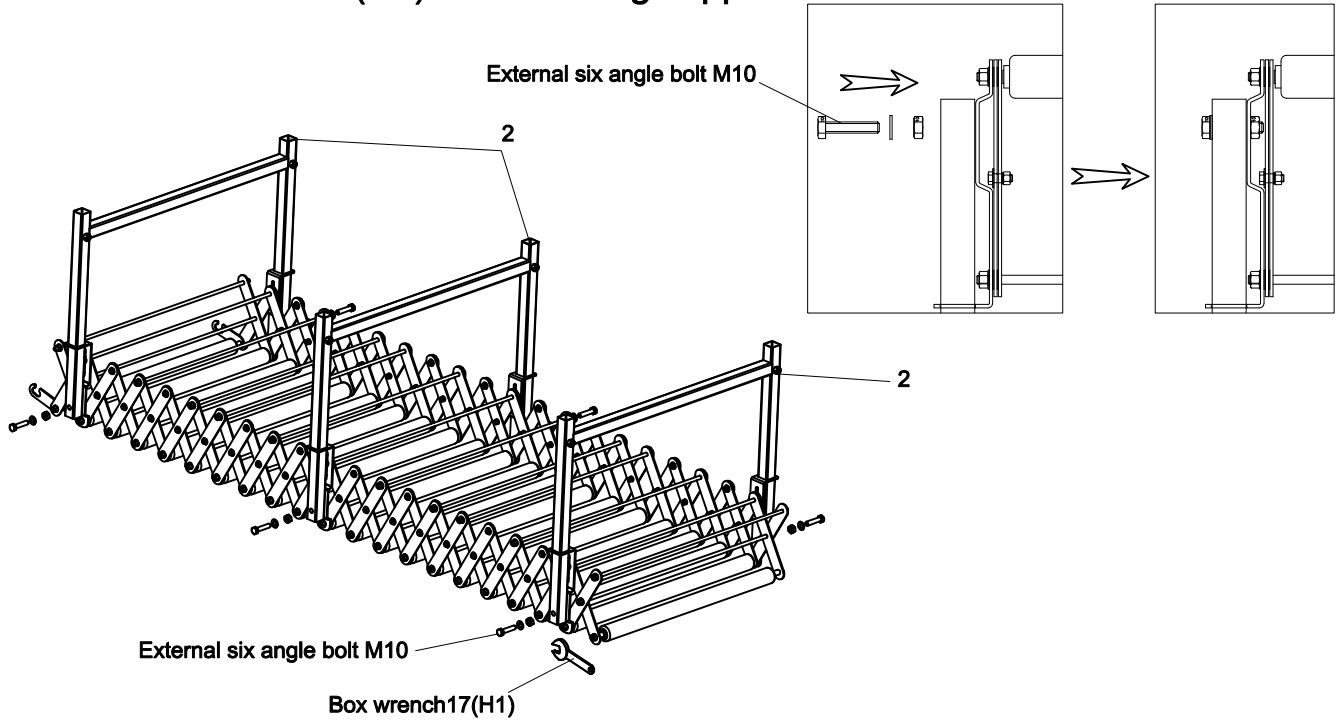


Threaded Boss

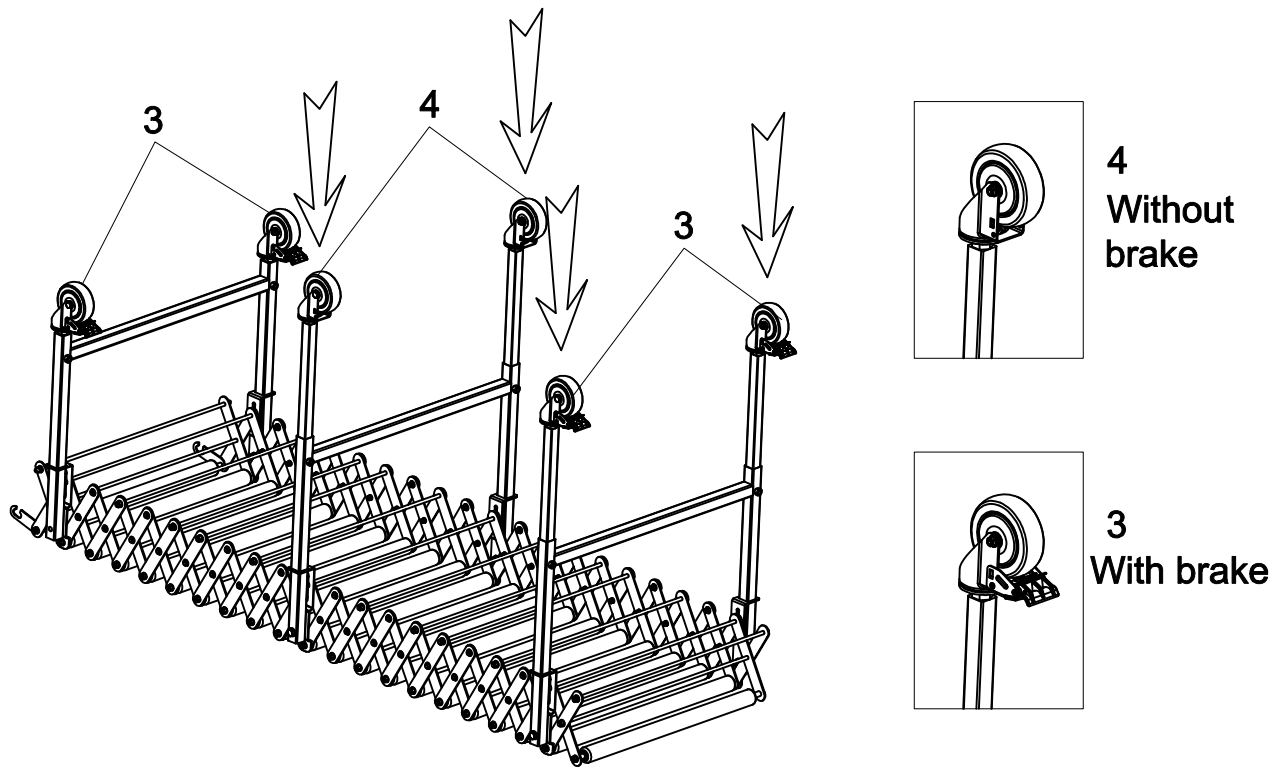


Portable Flexible & Expandable Conveyor

3. Use Box wrench 17(H1) to fix the Leg support

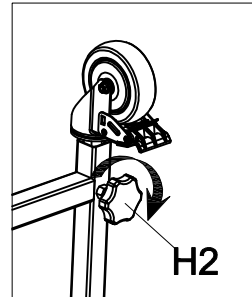
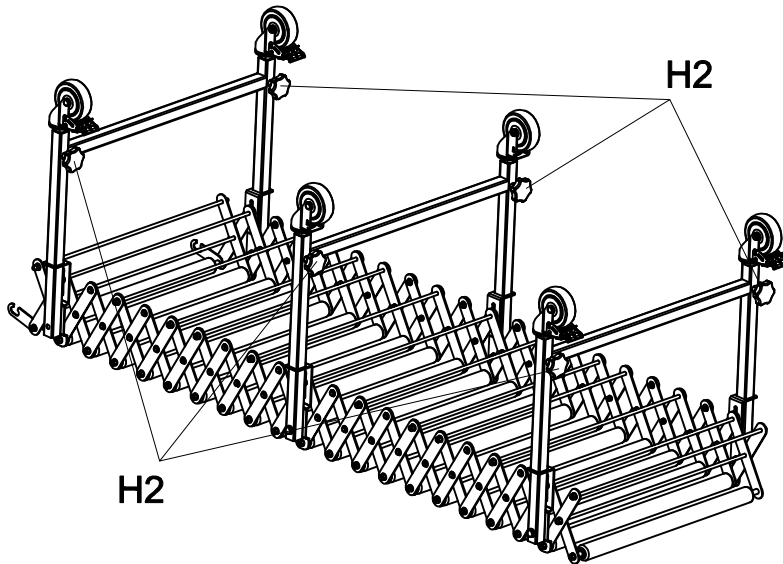


4. Insert caster leg assemblies (3 & 4) into leg supports.

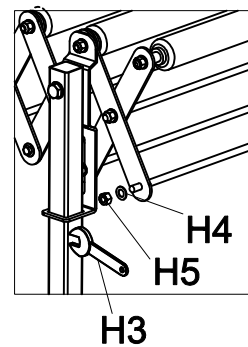
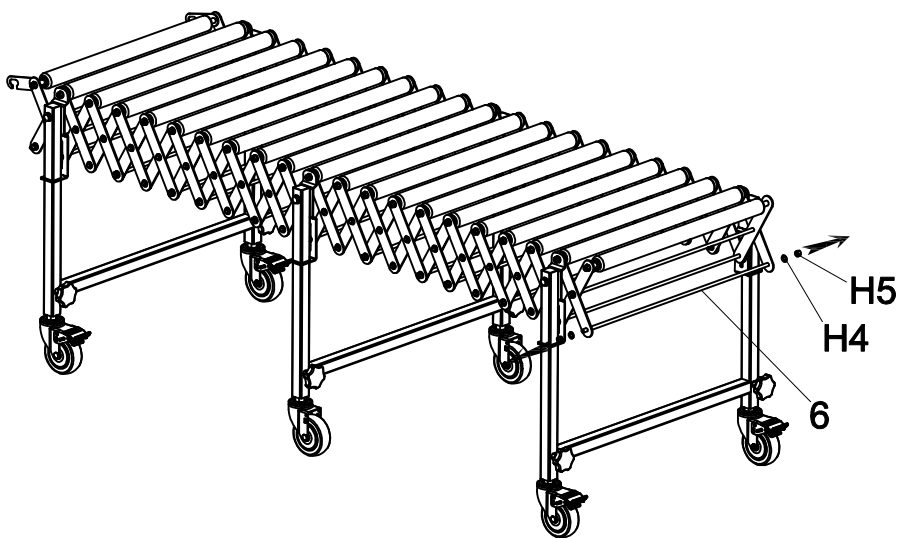


**Portable Flexible
& Expandable Conveyor**

5. Insert and tighten all knobs(H2) into caster posts.

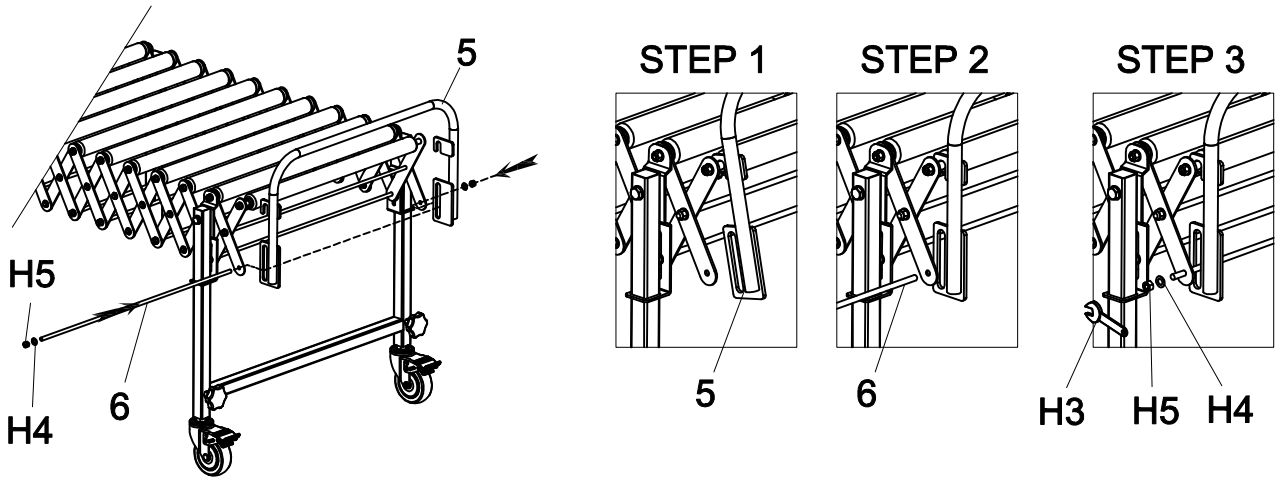


6. To install box stop loosen and remove hex nuts (H5), washers (H4) and axle rod (6).

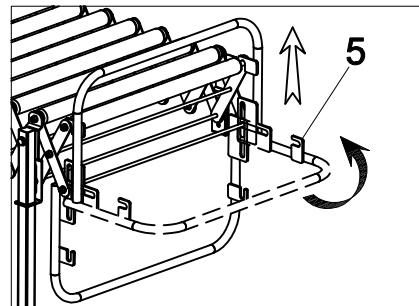


Portable Flexible & Expandable Conveyor

7. Attach box stop handle (5) to end of conveyor. Insert axle rod (6). Replace washers (H4) and retighten nuts (H5) with box wrench provided (H3).



8. To use the handle (5) as a box stop, lift the horizontal bar and hook it to the top rod.



9. Set pitch and height as required by adjusting caster legs up or down.

