



# DB-130/200H

## SANITARY CUBE DISPENSER



DB-130/200H  
09/27/18  
Item # 13131

Item #: \_\_\_\_\_  
 Project: \_\_\_\_\_  
 Qty: \_\_\_\_\_  
 AIA#: \_\_\_\_\_

### W x D x H

**DB-130H**  
22" x 30" x 53"\*

**DB-200H**  
30" x 30" x 53"\*

\*with 6" legs

Shipping Dimensions  
(DB-130H) 30<sup>1/2</sup>" x 24" x 53"  
(DB-200H) 33" x 32<sup>1/4</sup>" x 54"

ADA Compliant

DB-130H

DB-200H



**DB-130H**  
Hotel/Motel Ice Dispenser  
Shown with a KM-650MWJ

**DB-200H**  
Hotel/Motel Ice Dispenser  
Shown with a KML-700MAJ

## Features

- ▶ Ice dispensing area is ADA compliant
- ▶ Push-button single auger agitator

### DB-130H

- Accommodates KM-340, KM-515, KMD-410, KM-600 or KM-650 series cubers for 281 to 680 lbs. of ice per day
- Built-in 130 lbs. capacity\* insulated polyethylene-lined ice storage bin
- Pushbutton single auger agitator dispenses ice at 20 lbs. per minute

### DB-200H

- Accommodates KML Series, KM-340, KM-515, KM-600, KM-650 series cubers for 307 to 680 lbs. of ice per day
- Built-in 200 lbs. capacity\* insulated polyethylene-lined ice storage bin
- Push-button single auger agitator dispenses ice at 13 lbs. per minute

*Top kit may be required. See bin matrix in catalog.*

### Warranty:

3 Year Parts & Labor on entire machine. Valid in United States, Canada, Puerto Rico and U.S. Territories. Contact factory for warranty in other countries.

\* Capacity based on volume x 30 lb/ft<sup>3</sup> average density of ice.



CANADIAN ENERGY PERFORMANCE VERIFIED  
RENDEMENT ENERGETIQUE VERIFIE



Model	Application Ice Storage Capacity	Measured Capacity Volume	Dispensing gear motor	Dispensing Rate	Voltage	Amperage	Net / Ship Weight (lbs.)
DB-130H	130 lbs.	3.7 ft <sup>3</sup>	60W	20 lbs./min.	115V/60/1	1.4	178 / 215
DB-200H	200 lbs.	5.72 ft <sup>3</sup>	60W	13 lbs./min.	115V/60/1	1.4	187 / 240

*Power cord not included. Must be hard-wired at site.*

### Operating Limits

- Ambient Temp Range 45 - 100°F
- Voltage Range 104 - 132V

### Service

- Allow 6" (15 cm) clearance at rear and sides for ease of maintenance and/or service. More space is needed on left side of the dispensing bin to service the drive system.

### Plumbing

- Drain Line: Minimum 3/4" Nominal ID Hard Pipe or Equivalent

### Vending

- Pushbutton - Standard



# DB-130/200H

## SANITARY CUBE DISPENSER



DB-130/200H  
09/27/18  
Item # 13131

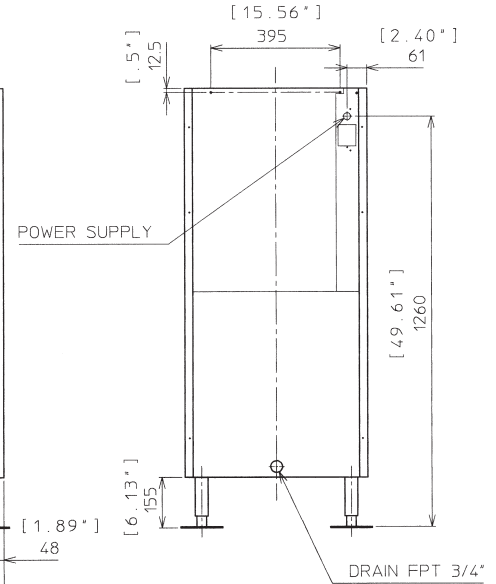
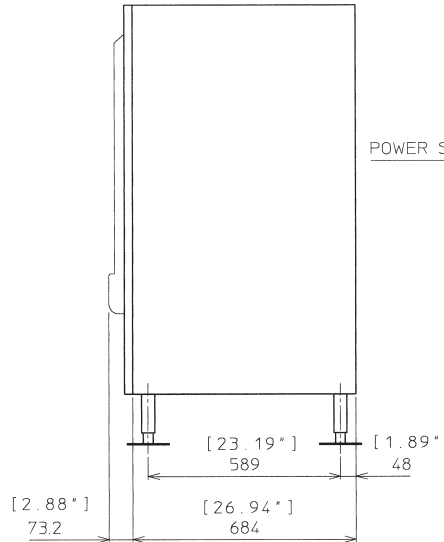
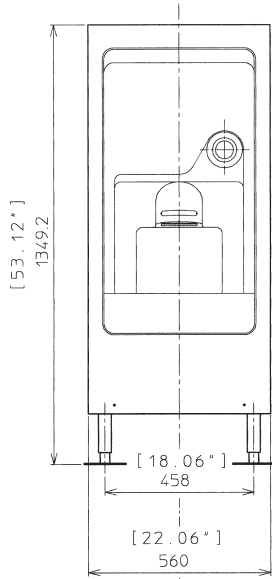
### FRONT VIEW

### SIDE VIEW

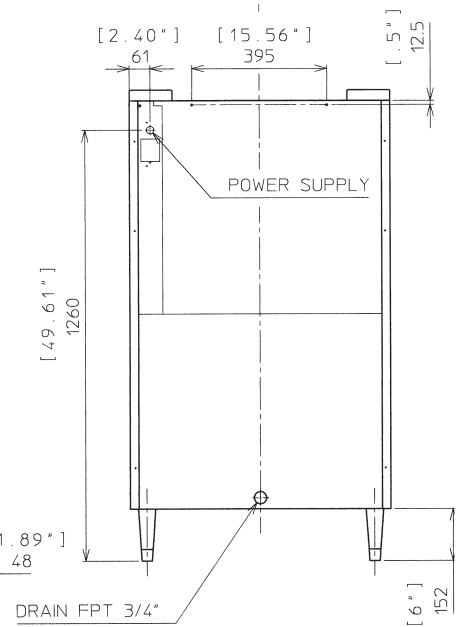
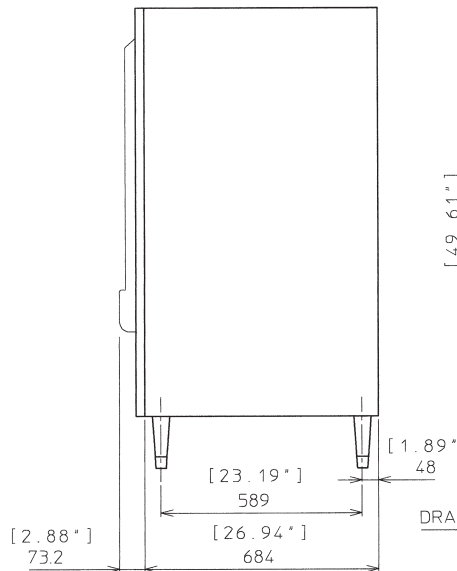
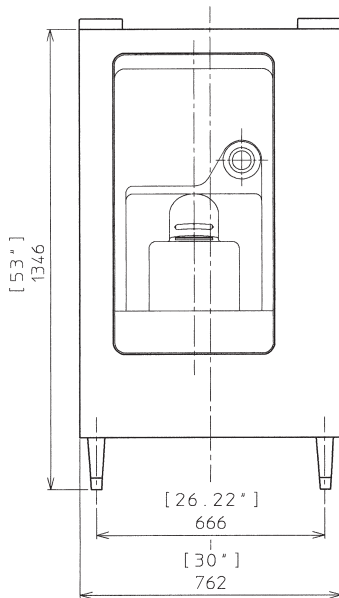
### REAR VIEW

inch  
[mm]

DB-130H



DB-200H



### DB-130H & DB-200H Ice Dispenser Opening

