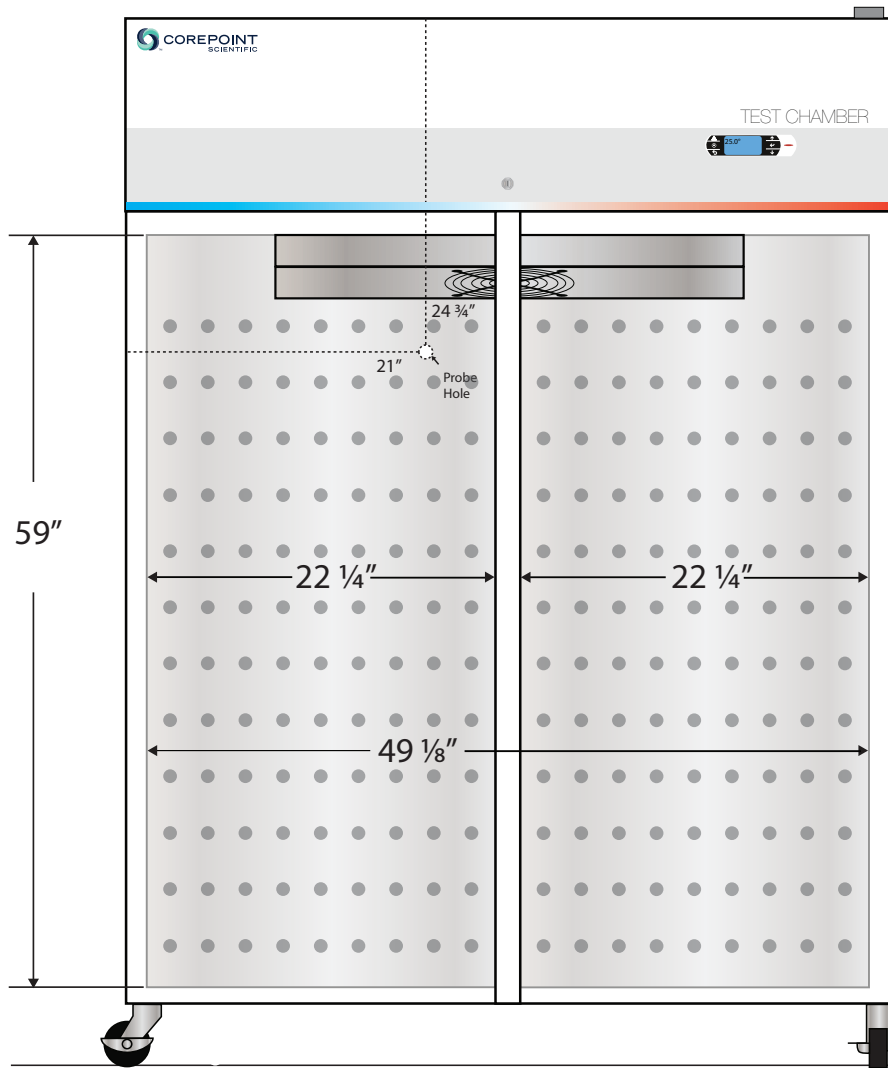
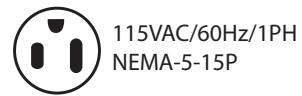
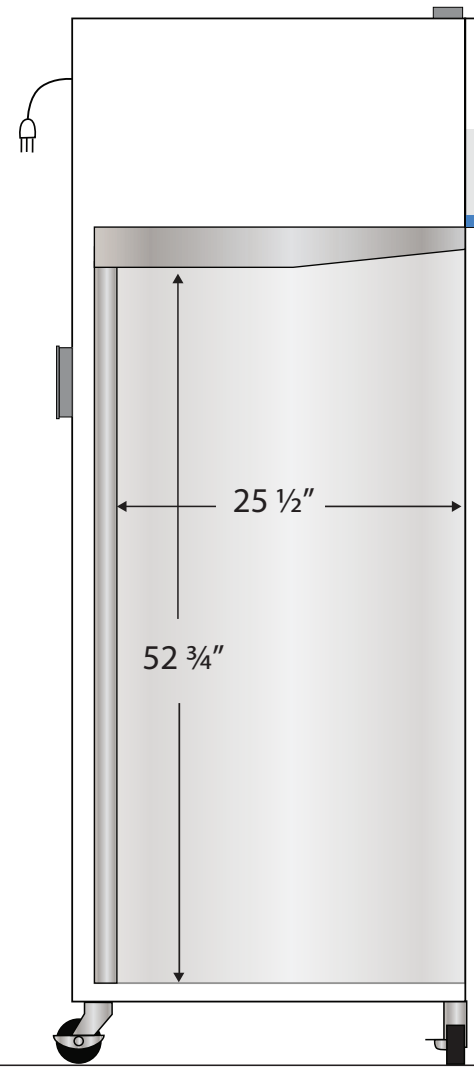


Front View



Side View



| Cu. Ft | Door    | Int Door | Shelves        | Interior Dim. |        |    | Refrigerant | H.P. | Amps | Weight   |
|--------|---------|----------|----------------|---------------|--------|----|-------------|------|------|----------|
|        |         |          |                | W"            | D"     | H" |             |      |      |          |
| 49     | 2 Solid | 0        | 6 Adj. Sliding | 49 1/8        | 25 1/2 | 59 | R600a       | 1/3  | 12   | 480 lbs. |

Note: Interior dimensions are estimates and subject to change without notice