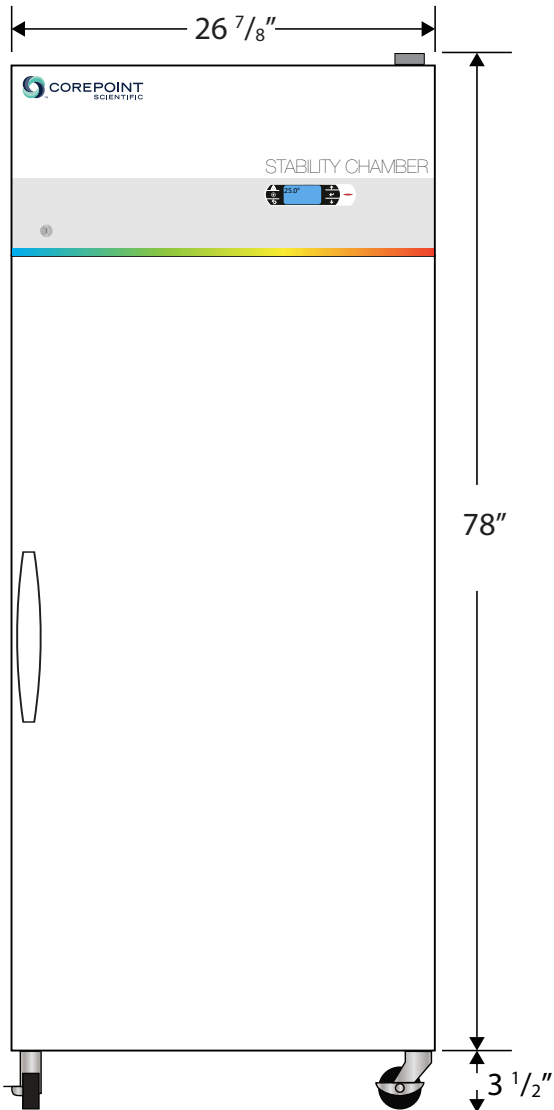
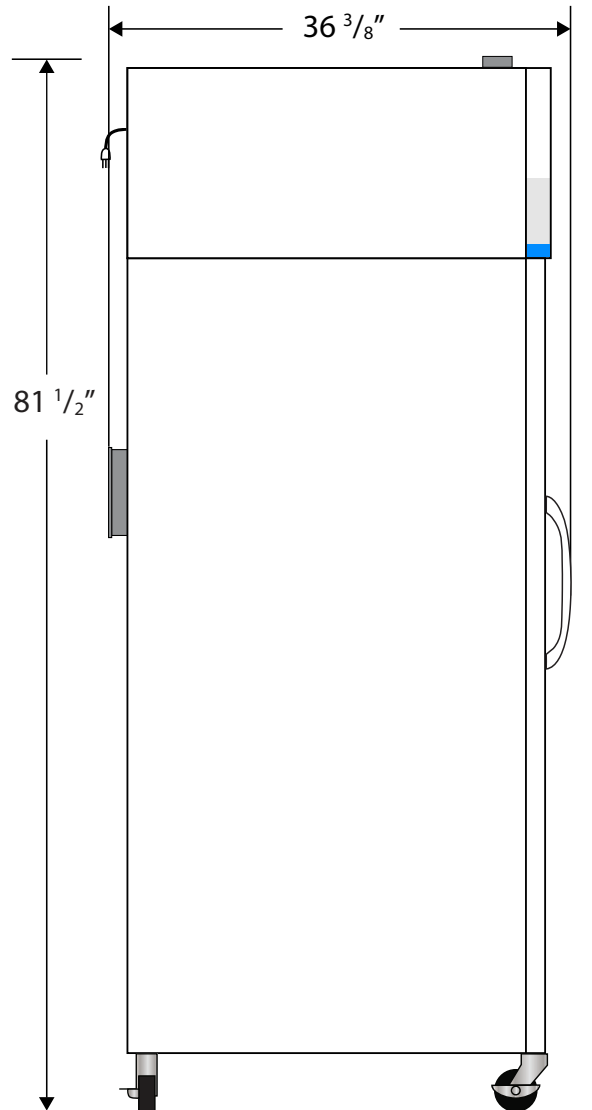


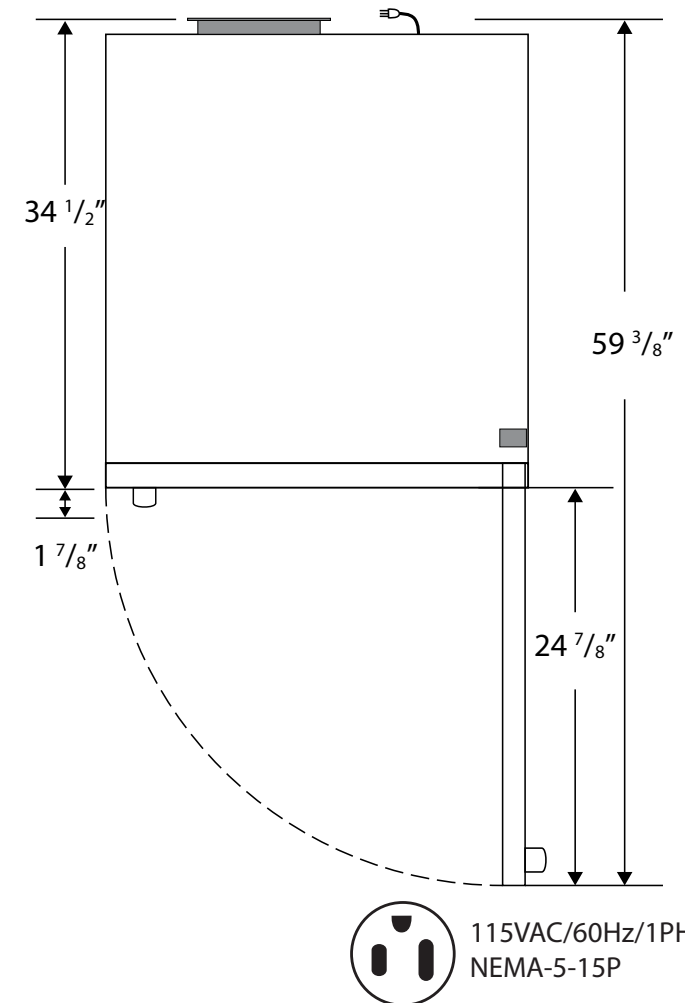
Front View



Side View



Top View


 115VAC/60Hz/1PH
NEMA-5-15P

Cu. Ft	Door	Int Door	Shelves	W"	D"	H"	Refrigerant	H.P.	Amps	Weight
23	1 Solid	0	3 Adj. Sliding	$26 \frac{7}{8}$	$36 \frac{3}{8}$	$81 \frac{1}{2}$	R290	$\frac{1}{3}$	12	340 lbs.