



Model # G3431K
1/2" Impact Wrench

Operating Instructions, Parts List, Warranty, & Warranty Repair Center

IMPORTANT! Read carefully before operating this tool. Failure to operate any power tool properly can result in personal injury and/or property damage!

Free Speed (RPM)	7,000	Max. Torque (Ft.Lbs).....	260
Air pressure (PSI)90	Bolt Capacity	5/8"
Hose Size (ID)	3/8"	Avg. Air Consump.(cfm)	4.5
Air Inlet (NPT)	1/4"	Overall Length	7.28"
Square Drive	1/2"	Weight (Lbs)	4.75

Safety

1. Always use impact type sockets that are designed for impact wrenches.
2. Have throttle in "off" position when connecting to air supply.
3. Disconnect tool before performing service, changing accessories, or when not in use.
4. Always be in a safe working distance from others when using tools.
5. Keep tools clean and oiled for best and safest performance.
6. Follow instructions for lubricating and changing accessories.
7. Do not wear loose fitting clothing and remove watches and rings.
8. Always use proper hose and fittings. Never use quick change couplings attached at tool.
9. Keep proper footing and balance at all times.
10. Never carry tools by the hose. Keep hoses from heat, oil, and sharp edges. Check hoses for weak or worn condition before each use, making certain that all connections are secure.

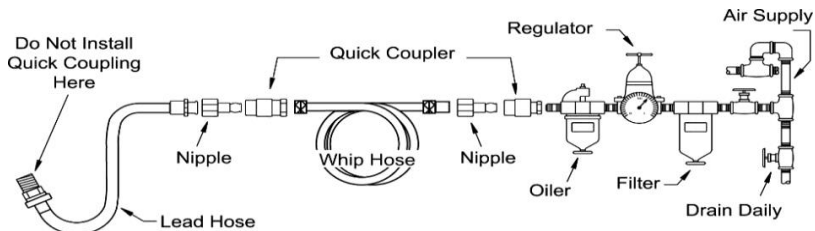
Lubrication

Lubricate the tool daily with a good grade of air tool oil. The oil can be applied directly into the air inlet of the tool and then run the tool. A rust inhibitor oil is acceptable for air tools.

Air Supply

Tools of this class operate on a wide range of air pressure. It is recommended that air pressure of these tools measure 90 PSI at the tool while running free. Higher pressure and unclean air will shorten the tool's life and may create a hazardous condition.

Water in the airline will cause damage to the tool. Ensure that the air tank is drained daily. Clean the air inlet filter screen on at least a weekly basis. The recommended hookup procedure can be viewed in the illustration below.



The air inlet, used for connecting air supply, has standard 1/4" NPT American Thread.

Line pressure should be increased to compensate for unusually long air hoses (over 25 feet). Minimum hose diameter should be 1/4" I.D. and fittings should have the same inside dimensions.

Operating Instructions

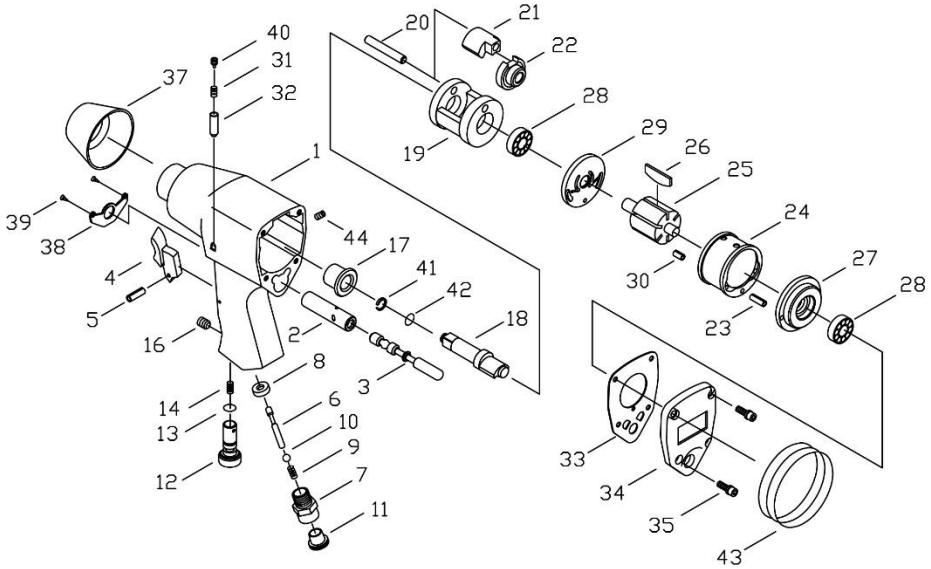
For removal of frozen nuts, soak nuts in penetrating oil and break rust seal before removing with wrench. If nut does not start to move in three to five seconds, use a larger size impact wrench. Do not use impact wrench beyond rated capacity as this will drastically reduce tool life.

To remove nuts, set the regulator to the maximum setting. To install nuts, set the regular to the minimum to medium setting. Do not over tighten the nuts.

WARNING: Do not use hand tool sockets (chrome), use impact quality sockets only. Hand tool sockets can shatter and cause serious injury if used with air tools. Loose attachments, such as extension bars, can cause serious injury.

Maintenance

Other factors outside the tool may cause loss of power or erratic action. Reduced Compressor output, excessive drain on the air line, moisture or restriction in air lines or the use of hose connections of improper size or poor condition may reduce air supply. Dirt or gum deposits in the tool may cut power. This may be corrected by cleaning the air strainer and flushing out the tool with gum solvent oil. If outside conditions are in order and tool is out-of-warranty, clean, reassemble, and re-lubricate, or take tool to any air tool service center. For tools in warranty period, send tool direct to Warranty Center.



No.	Part No.	Description	No.	Part No.	Description
1	504W01	Housing	23	SP008	Pin
2	504W02	Valve Bushing	24	504W24	Cylinder
3	504W03	Reverse Valve	25	504W25	Rotor
4	504W04	Trigger	26	504W26	Rotor Blade (6)
5	SP007	Pin	27	504W27	Rear End Plate
6	504W06	Valve Stem	28	CA6001	Ball Bearing (2)
7	504W07	Air Inlet	29	504W29	Front End Plate
8	504W08	Ball Seat	30	SP006	Pin
9	504W14	Spring	31	504W31	Spring
10	AA06-5	Steel Ball	32	504W32	Pin
11	504W11	Cover	33	504W33	Gasket
12	504W12	Air Regulator	34	504W34	Rear Cover
13	SO016	O-Ring	35	SH003-1	Screw(5X6)&Spring Waser (4)
14	504W14	Spring	37	504W37	Front Rubber
16	SH028	Screw	38	504W38	Exhaust Deflector
17	504W17	Bushing	39	SH041	Screw (2)
18	504W18	Anvil (1/2")	40	SH027	Screw
19	504W19	Hammer Cage	41	504W41	Anvil Collar
20	504W20	Hammer Pin	42	SO009	O-Ring
21	504W21	Hammer Dog	43	504W43	Rubber
22	504W22	Drive Cam	44	SH045	Screw

PLEASE READ FOLLOWINGS CAREFULLY BEFORE OPERATING:

- 1) Always wear Safety Goggles to guard against eye injury cause by flying particles.
- 2) Light density, non-detergent lubricant oil (i.e.#60) recommended.
- 3) Use working pressure of 0-90 PSIG, regular speed: 7,000 RPM.

Notice

90% of all Air Tool problems are caused by moisture in air lines

This problem can be avoided by using Air Tool Lubricant (See “Lubrication” & “Air Supply” section of this manual)

FAILURE TO OIL can void your warranty

Warning: Dust created by power sanding, sawing, grinding, drilling, and other activities contains particles and chemicals known to cause cancer, birth defects or reproductive harm. Some examples of these chemicals are:

- Lead from lead-based paints
- Crystalline silica from bricks, cement and other masonry products
- Arsenic and chromium from chemically treated lumber

To reduce your exposure to these chemicals, work in well ventilated areas with approved safety equipment specially designed to filter out microscopic particles.

One Year Limited Warranty

GLOBAL Industrial air tools carry a limited 1 year warranty to be free from defects in material and workmanship for one year from date of purchase. We will repair or replace at our discretion any defective part or unit which proves to be defective in material or workmanship during this 1 year period. The foregoing obligation is GLOBAL sole liability under this or any implied warranty, and under no circumstances shall it be liable for any incidental or consequential damages.

Repairs required by abuse, misuse, damage, or repair attempts (other than GLOBAL Industrial) are not covered by this warranty.

For warranty claims and returns, please contact GLOBAL Industrial at 1-800-645-2986 or speak to your local sales representative. Be certain to include your name, address, and purchase date, and description of the suspected defect.



11 Harbor Park Drive, Port Washington, NY 11050

Phone: 1-800-645-2986