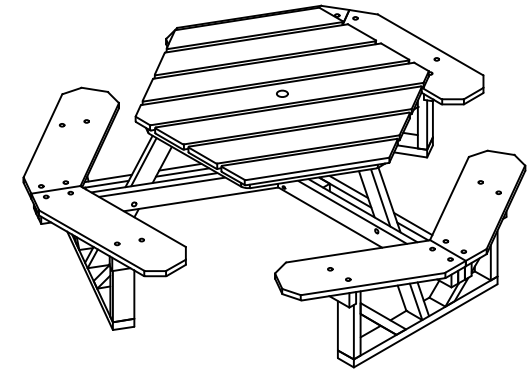
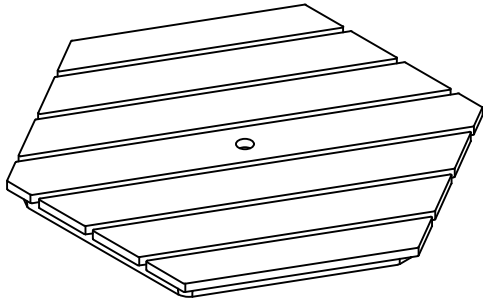


Hex Table Assembly Instructions

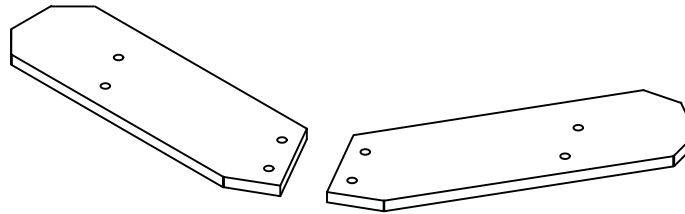


Tools for Assembly: Powered driver
7/16 Socket
Phillips Head Bit
Tape Measure and Level

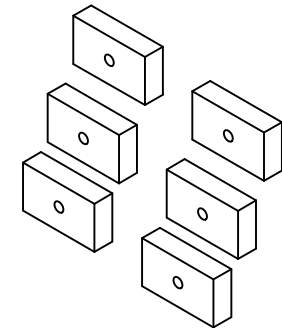
Components



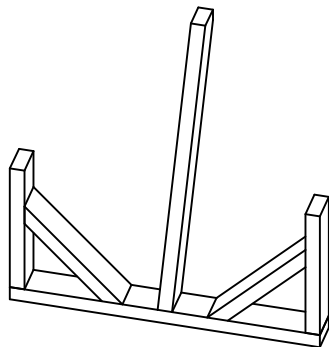
(1) Pre-Assembled Top



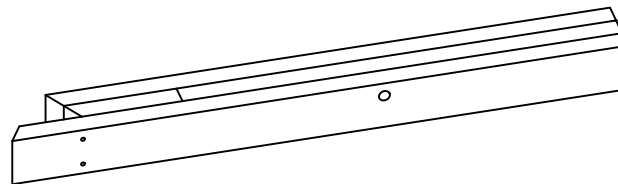
(3) Left Seats (3) Right Seats



(6) Anchor Blocks (Black)



(3) Base Supports



(3) Support Arms

Hardware

- (6) 2 1/2" Hex Lag Screws
- (30) 3 1/2" Hex Lag Screws
- (36) Flat Washers
- (9) 3" Deck Screws

Step by Step Assembly

Before you begin: Check components to verify all are included. Assembly requires two people and must be performed on a flat and even surface. Do not overtighten hardware as damage can occur.

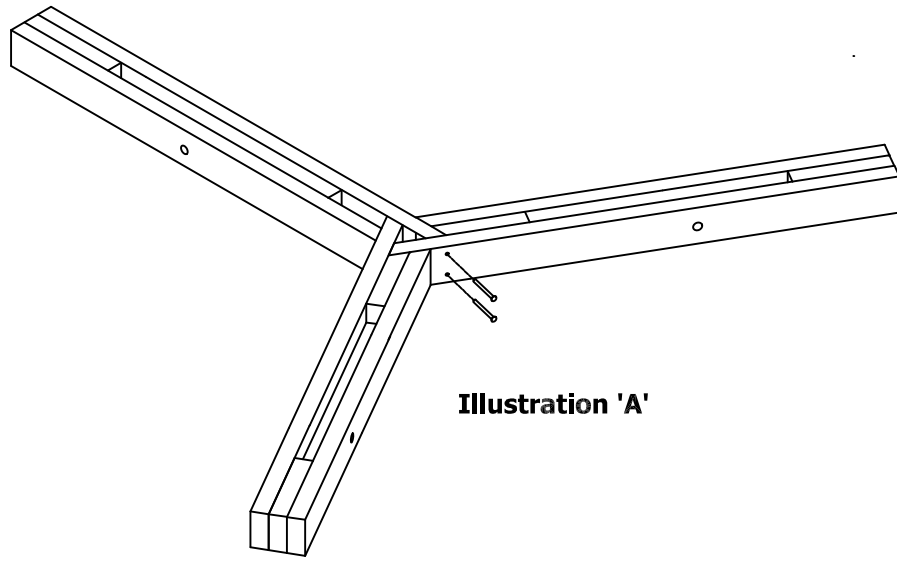


Illustration 'A'

Step 1

Place the three (3) support arms on a flat surface as shown in Illustration 'A'. Fasten the support arms together with 3" deck screws, two (2) per side, do not overtighten.

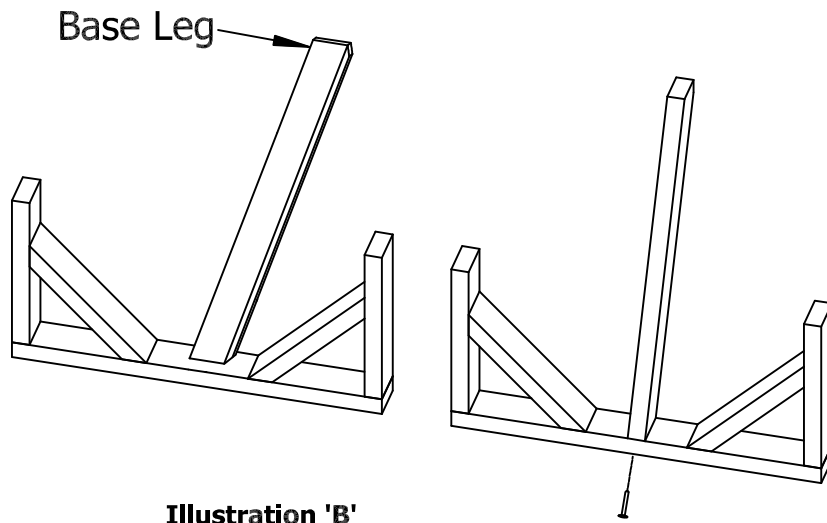


Illustration 'B'

Step 2

The three (3) base support legs are rotated for shipping purposes. A single deck screw is pre-installed, rotate the leg 90 degrees and align the pre-drilled holes. Secure the leg with a supplied deck screw. See Illustration 'B'. Repeat for all three (3) legs.

Step by Step Assembly Continued

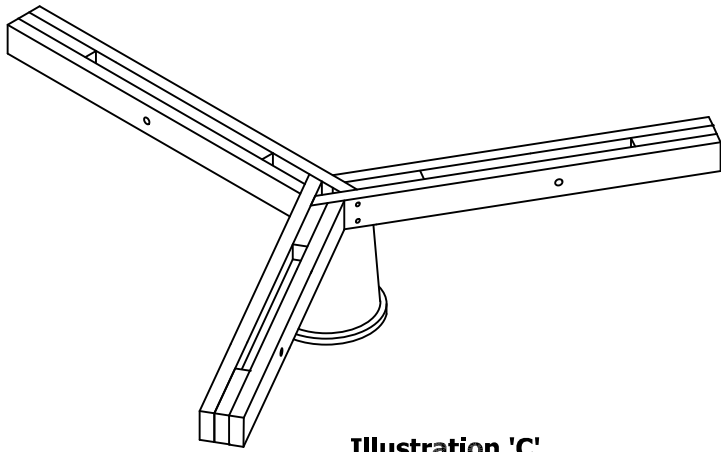


Illustration 'C'

Step 3

This step requires two people, raise the assembled support arms up to rest on an object strong enough to hold the assembly at the mid point approximately 12" above the mounting surface. A five gallon bucket can be used in this step. See Illustration 'C'.

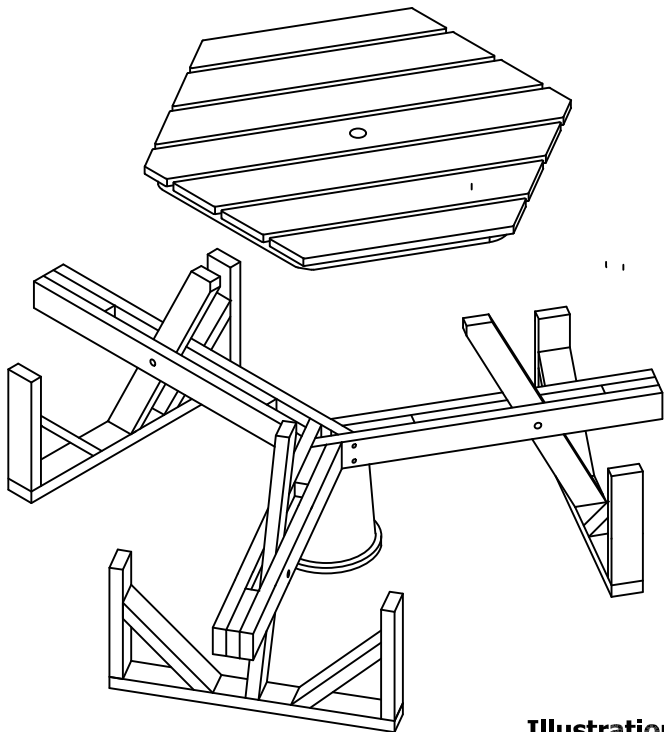


Illustration 'D'

Step 4

Insert each base support inside an arm support, ensure the base supports are resting flat on the mounting surface. With two people, carefully lift the table top and position the slots in the top underside frame with the three (3) base legs, slide the top down on the legs. Ensure each base leg is fully engaged in the slot and the top is resting even and level. See Illustration 'D'.

Step by Step Assembly Continued

IMPORTANT NOTE FOR THE NEXT STEPS: DO NOT OVERTIGHTEN LAG BOLTS. DO NOT LEAN ON TABLE TOP OR SEATS WHEN ASSEMBLING.

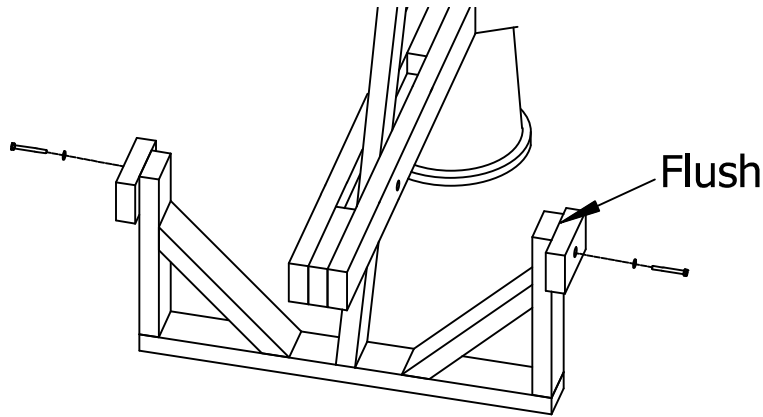


Illustration 'E'

Step 5

Place an anchor block on the outside edge of the upright slat of the base support with the tops of each component flush. The pre-drilled hole in the anchor block should be centered on the upright slat. Attach the anchor block to the base support upright slat using a 2 1/2" hex lag screw and flat washer. Repeat for each base. See Illustration 'E'.

Step 6

Remove the item used to support the arm assembly to allow for proper positioning. Ensure the bases are resting flat on the mounting surface, position the horizontal arm with the pre-drilled hole in line with the base leg. The distance between the bottom side of each support arm and the mounting surface should be the same. Attach each arm to a base leg using a 3 1/2" hex lag screw and flat washer (A).

Verify the top is level, attach top to the vertical supports with 3 1/2" hex lag screws and flat washers (B). See Illustration 'F'.

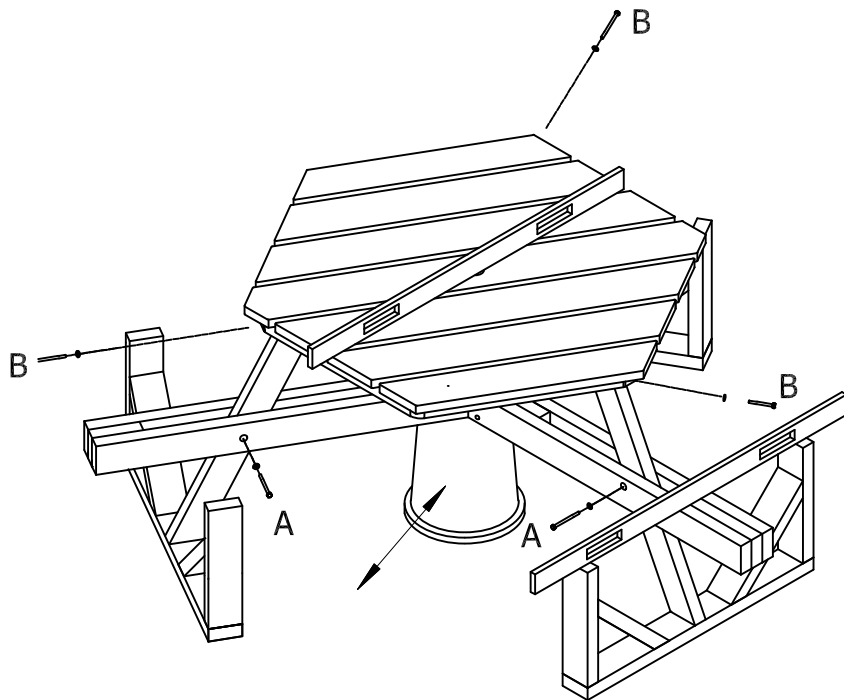


Illustration 'F'

Step by Step Assembly Continued

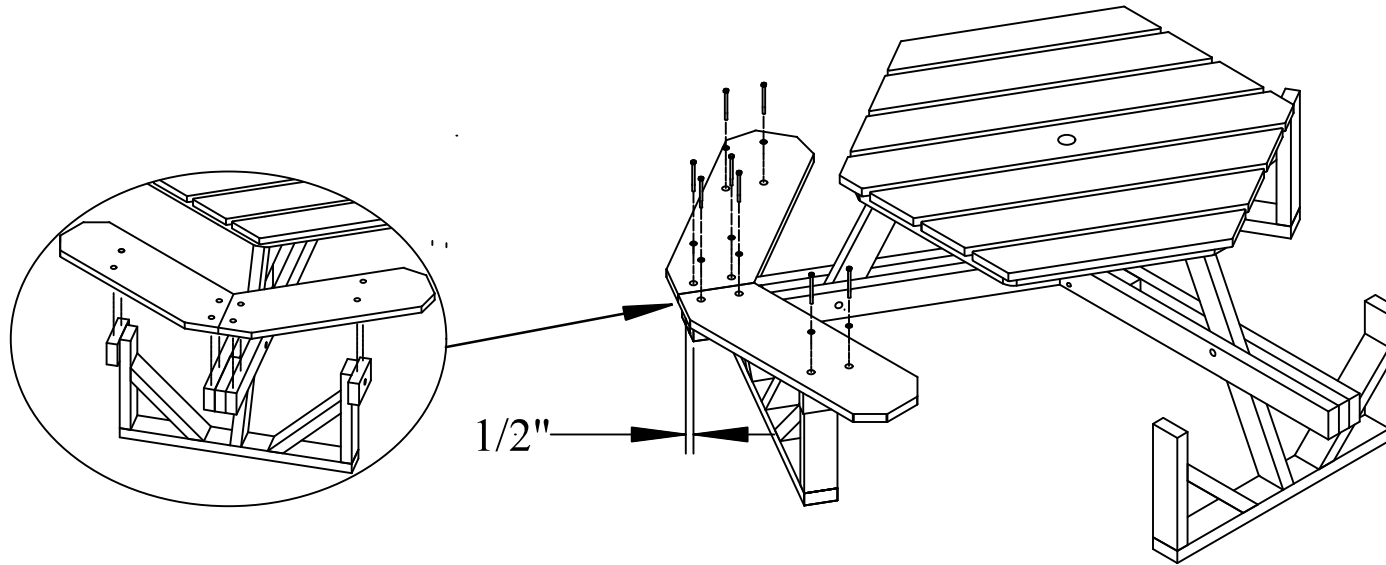


Illustration 'G'

Step 7

Position a LH and RH seat with the flat edges aligned at the center point on the middle board of the support arm assembly. The back edge of the seats should extend approximately 1/2" from the back edge of the arm support. See Illustration 'G'. Drill a small starter hole in the support arm and anchor blocks at each pre-drilled hole of the seats. Attach using 3 1/2" hex lag screws and flat washers. Repeat for remaining seats.

Cleaning Tips

Frog Furnishings products are durable and designed to last a lifetime, like most things that spend the majority of time outdoors, sometimes they need a little cleaning. In most cases, all a Frog product requires is mild dish soap, a bucket of warm water and a clean cloth. Apply the soapy mixture to scrub away the dirt and then rinse with water. If you have some stubborn dirt down in the grooves and divots, mix 1 part bleach to 2 parts water, apply with your clean cloth, scrub with a soft bristle brush if needed and then rinse.