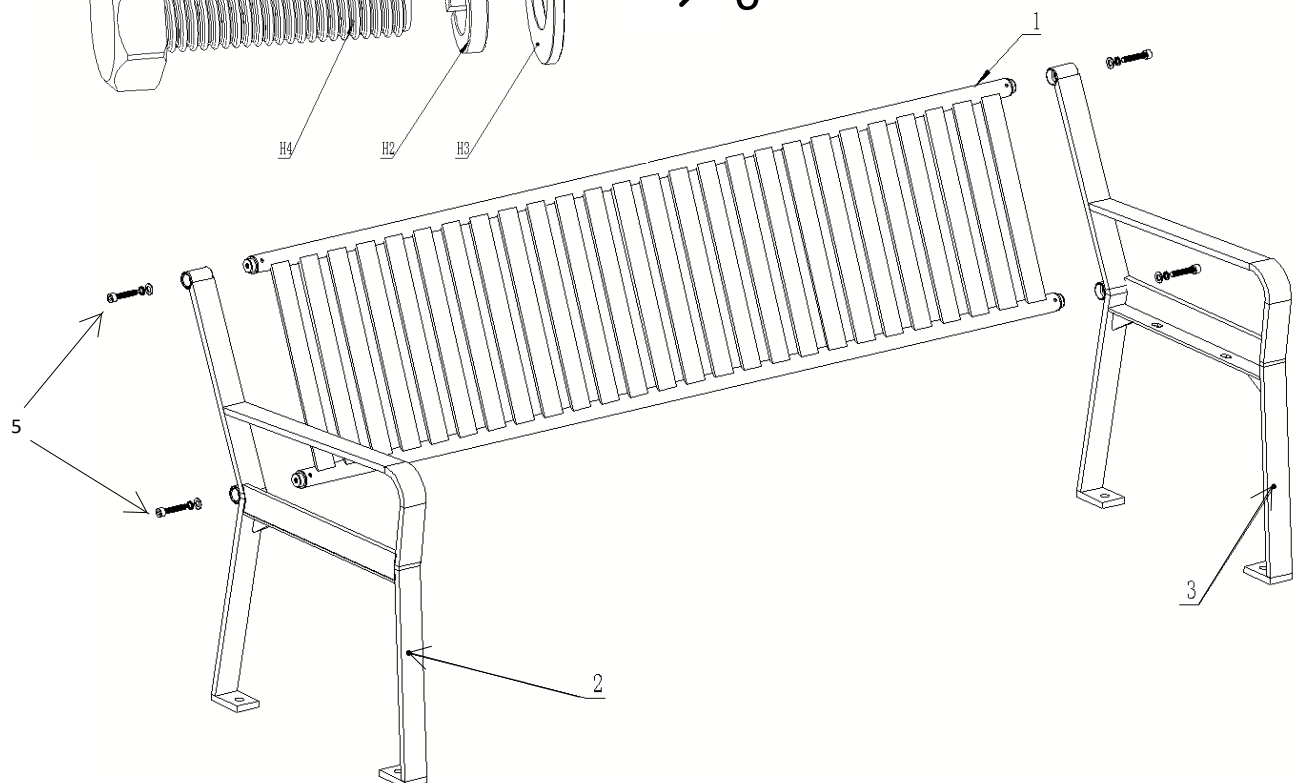
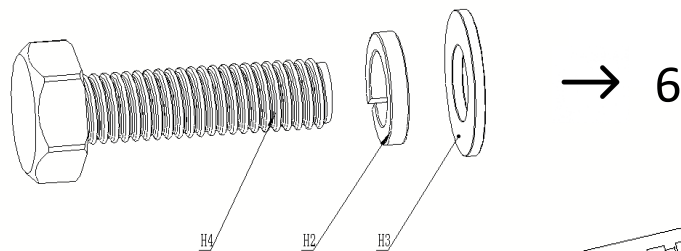
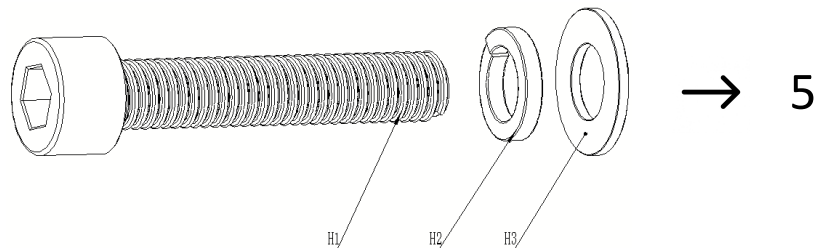


User's manual
Manual del usuario
Manuel de l'utilisateur
**Customer Service
US: 1-800-645-2986**
**Servicio de atención al Cliente
US: 1-800-645-2986**
**Service à la clientèle
Canada: 888-645-2986**

Steel Park Bench with Back

Models: 694853KD, 694854KD, 694855KD

Part No.	Description	Qty	Hardware No.	Description	Qty
1	Back	1	H1	M10X50 inner hexagon screw	4
2	Right Handle	1	H2	M10 spring pad	8
3	Left Handle	1	H3	M10 flat gasket	8
4	Seat	1	H4	M10X35 Outer hexagon bolt	4

1




**GLOBALTM
INDUSTRIAL**

We can supply that.[®]

User's manual

Manual del usuario

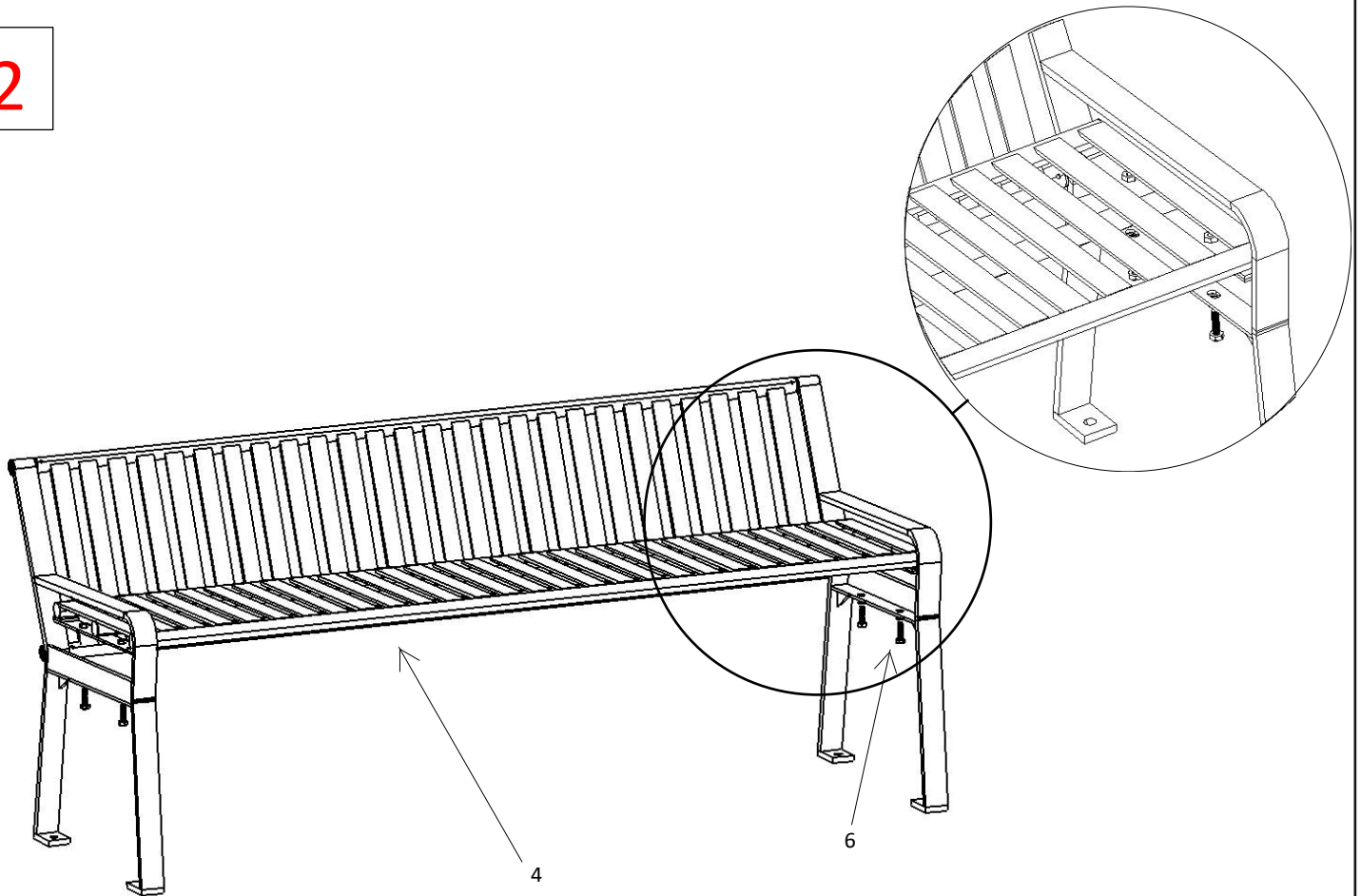
Manuel de l'utilisateur

Customer Service
US: 1-800-645-2986

Servicio de atención al Cliente
US: 1-800-645-2986

Service à la clientèle
Canada: 888-645-2986

2



Warning



- Assembly and installation should be performed by 2-3 people.
- Do not climb on or under the bench.
- Two people required to move bench.
- Do not use if any parts of bench or table are broken or damaged.
- Inspect and tighten hardware every six months.