

User Manual

Manual de Usuario

Manuel de l'Utilisateur

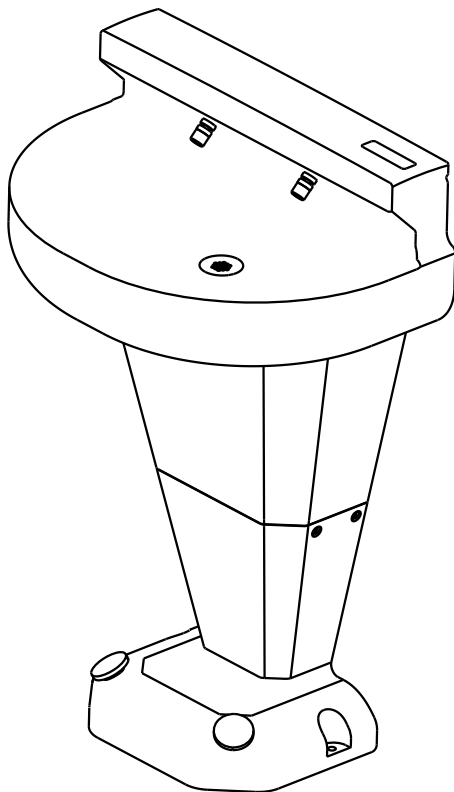
Customer Service
US: 1-800-645-2986

Servicio de atención al Cliente
US: 1-800-645-2986

Service à la clientèle
Canada: 888-645-2986

Pedestal Washfountain 2 Station Foot Operated

Model 604082



WARNING

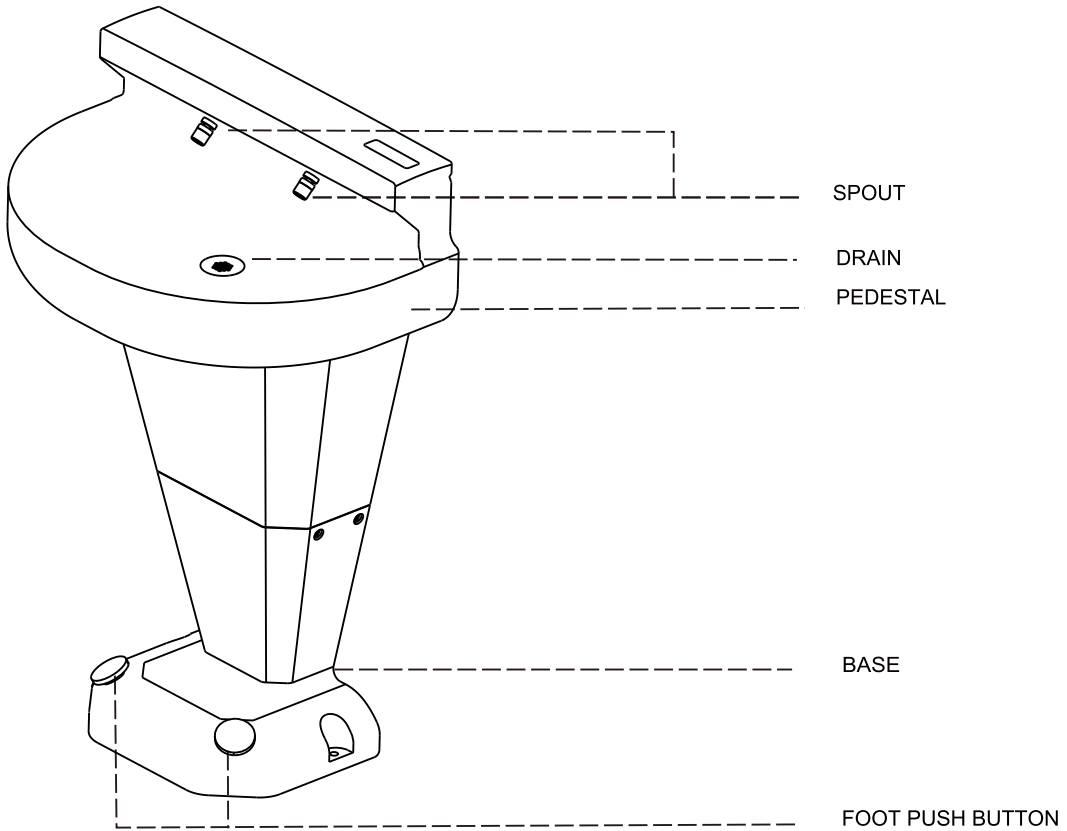
- All installation work must be performed by authorized service personnel.
- Two or more people are recommended to lift and install the unit.
- To avoid the risk of property damage and/or personal injury, ensure the mounting surface is adequate to support 140lbs.
- Check local codes for plumbing requirements prior to installation.
- Refer to Rough-In Guide (page 4) prior to installation.
- Thoroughly flush all water supply lines of all foreign matter before connecting to the fixture.
- Check for any leaks before use.
- DO NOT attempt to repair or replace any part of this fountain unless it is specifically recommended in this manual. All other services should be referred to a qualified technician.
- For use with clean, clear potable drinking water only.
- Shut-off water supply during installation to reduce the risk of water damage.
- Freezing Caution: Before freezing temperatures occur, refer to the Draining and Winterization section of this manual (page 8) for proper preparation
- Installation of a trap on the water drain line may be necessary; remove trap before winterization draining.
- Failure to follow safety warnings and/or installation instructions will void warranty.

Note: This unit is designed to be installed on the surface of an existing or new concrete slab.

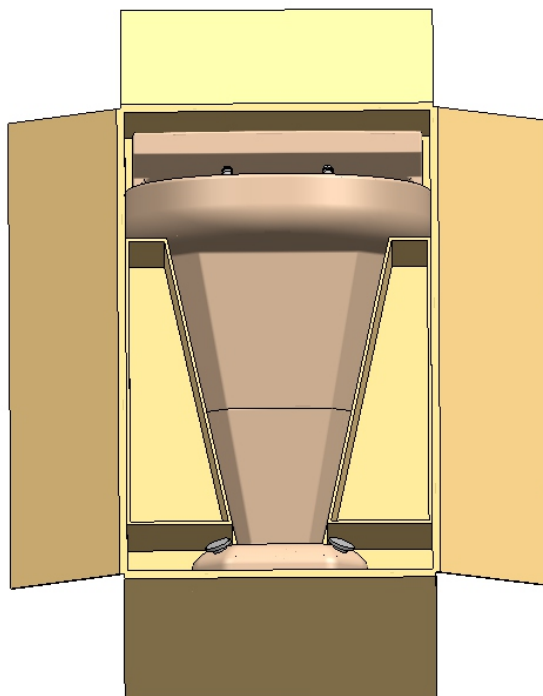
Included are the necessary vandal-resistant stainless steel bolts and washers needed to anchor this unit. Installer must provide a 1-1/2" PVC drain line (if applicable) and water supply line. All connections are made inside the item through the access doors, as shown in the drawings.

It is recommended to install a shut-off valve (not included) on the water supply.

Pedesta Washfountain 2 Station Foot Operated



WWW.GLOBALINDUSTRIAL.COM







Pedestal Washfountain 2 Station Foot Operated

SPECIFICATIONS

| | |
|------------------------|---|
| Features: | Global Industrial Pedestal Washfountain, 2 Station, Foot Operated |
| Finish: | Stone Finish |
| Power: | No Electrical Required |
| Activation Type: | Foot Push Button |
| Mounting Type: | Wall Mounted/Pedestal |
| Product Dimensions: | 27-1/2"L x 18"W x 41-1/4"H |
| Weight: | 42.68 lbs. |
| Installation Location: | Indoor |
| No. of Spouts | 2 |

PART BREAKDOWN

| Ref. | Qty. | Description | |
|------|------|------------------|--|
| H1 | 1 | Torx Key Wrench |  |
| H10 | 1 | Hexagon Wrench |  |
| H3 | 2 | Anchor Kit |  |
| H16 | 1 | Z-Hanger bracket |  |

REQUIRED TOOLS:



Safety Gloves



Adjustable Wrench



Hammer



Safety Glasses



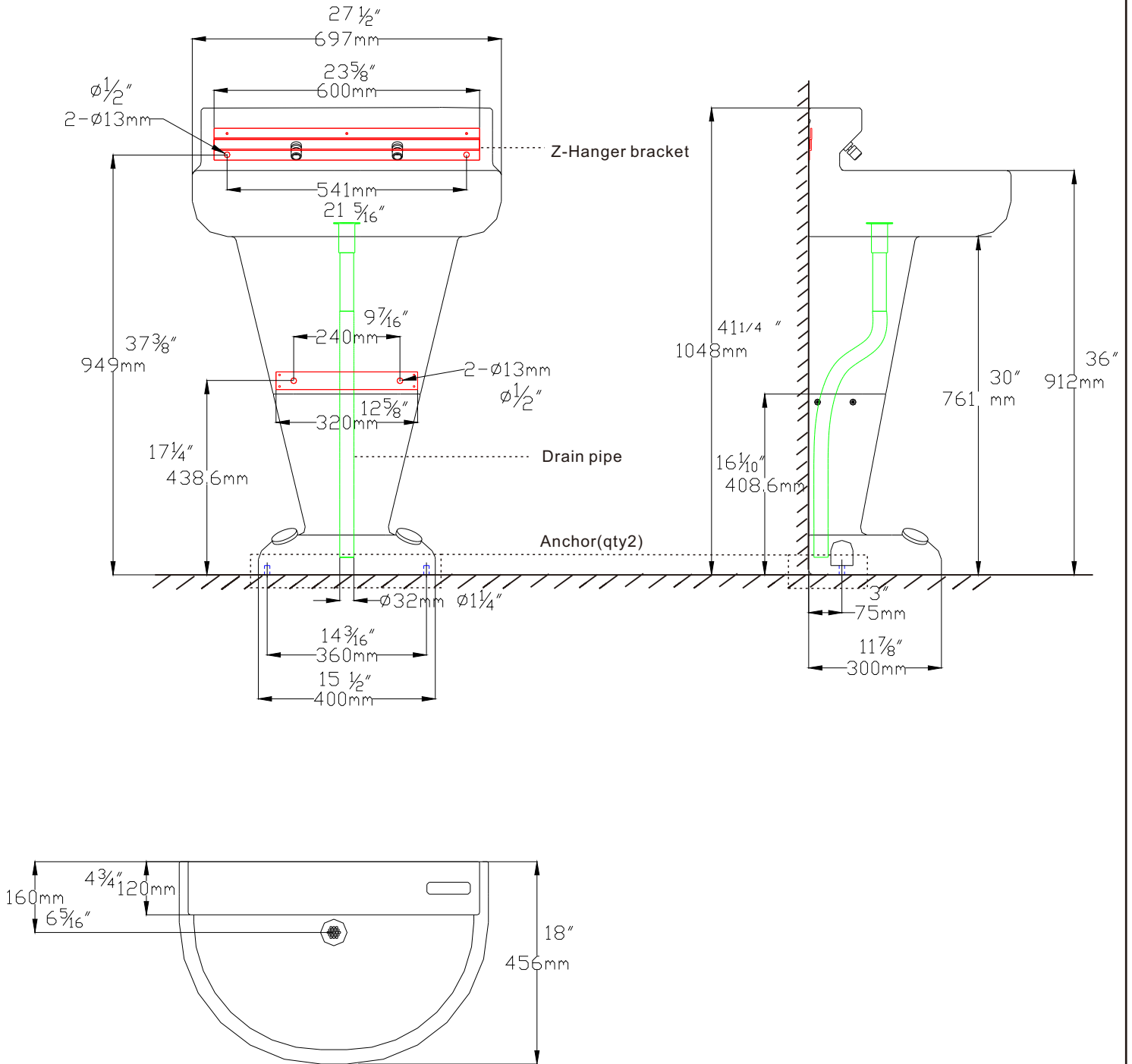
Electric Drill



Ruler

Pedestal Washfountain 2 Station Foot Operated

Rough-In Guide



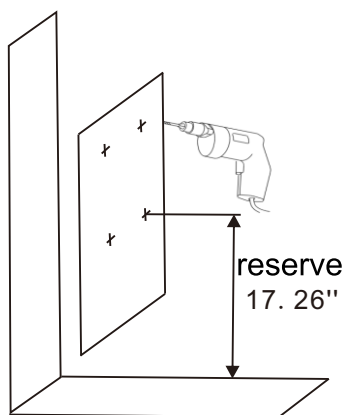
Pedestal Washfountain 2 Station Foot Operated

INSTALLATION

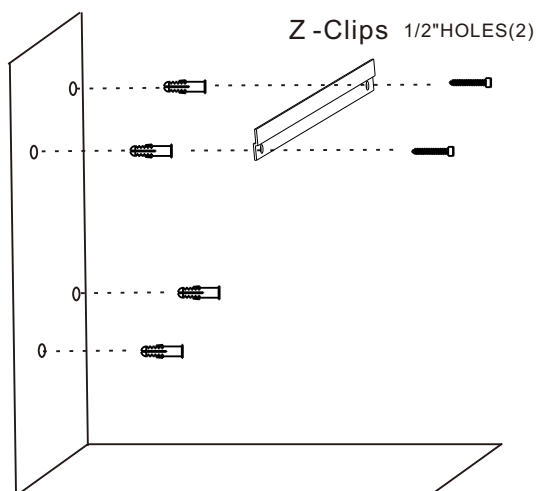
- It is recommended that 2 or more people install this unit.
- This fountain must be mounted on a solid, flat surface with adequate strength (concrete pad recommended) capable of supporting 140 lbs.
- Locate and install plumbing through ground as required. Refer to Rough-In Guide (page 4) for proper location and correct plumbing.
- Install a drainable shut-off valve (not included) if in a freezable environment.
- Installation of a trap on the water drain line may be necessary; check local plumbing codes.

WARNING: The fountain is rated for inlet water pressure of 20-105 PSI. A pressure reducing regulator should be used if the inlet water supply exceeds 105 PSI. Any damage caused by reason of connecting this product to supply line pressure higher than 105 PSI will void warranty.

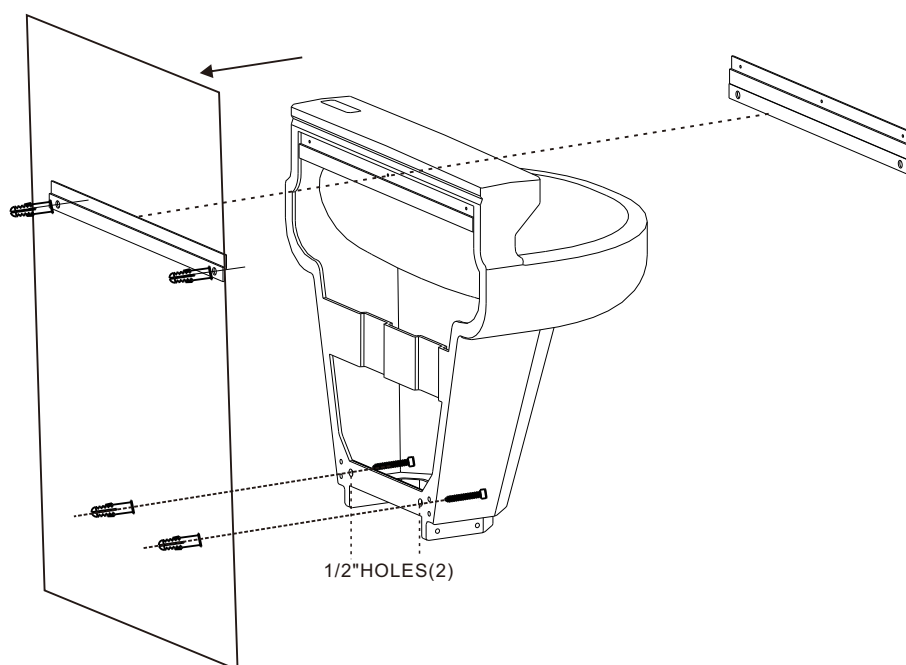
step1. DRILL (4) 1/2"HOLES WHERE INDICATED ON TEMPLATE



step2.

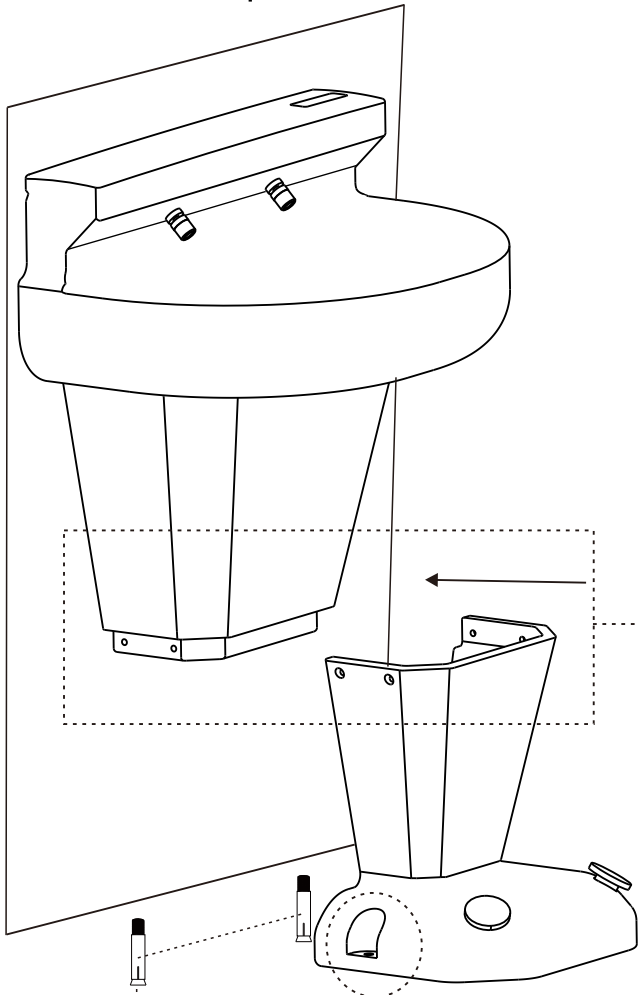


step3.

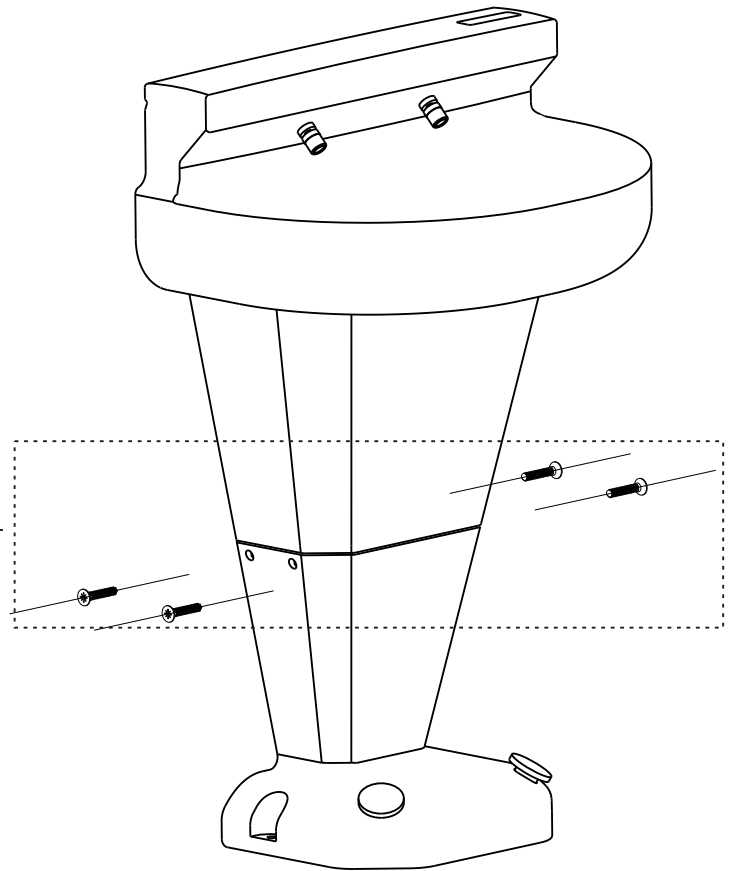


Pedestal Washfountain 2 Station Foot Operated

step4.

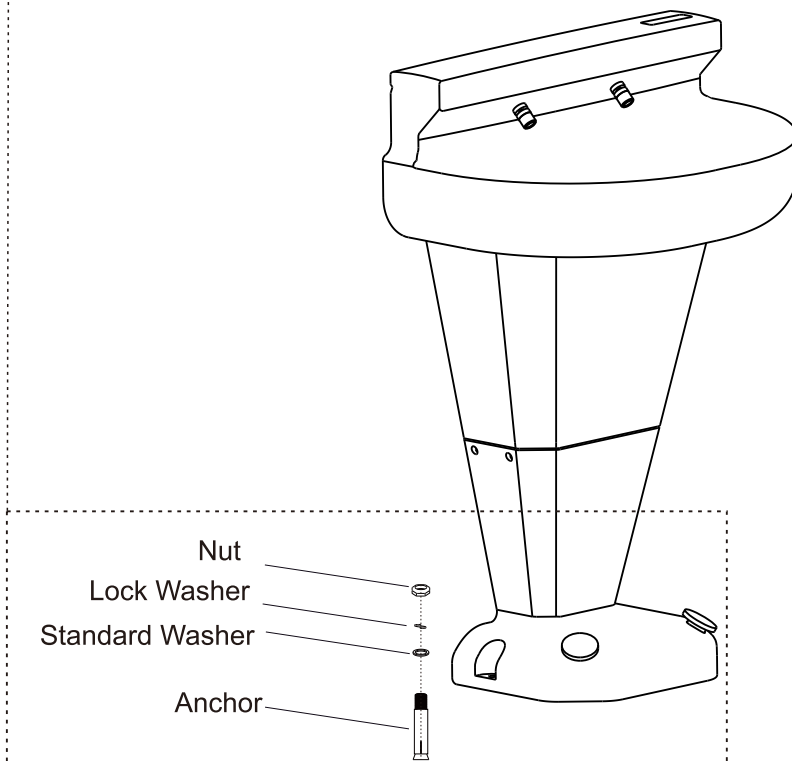


step5.



Anchor
(QTY2)

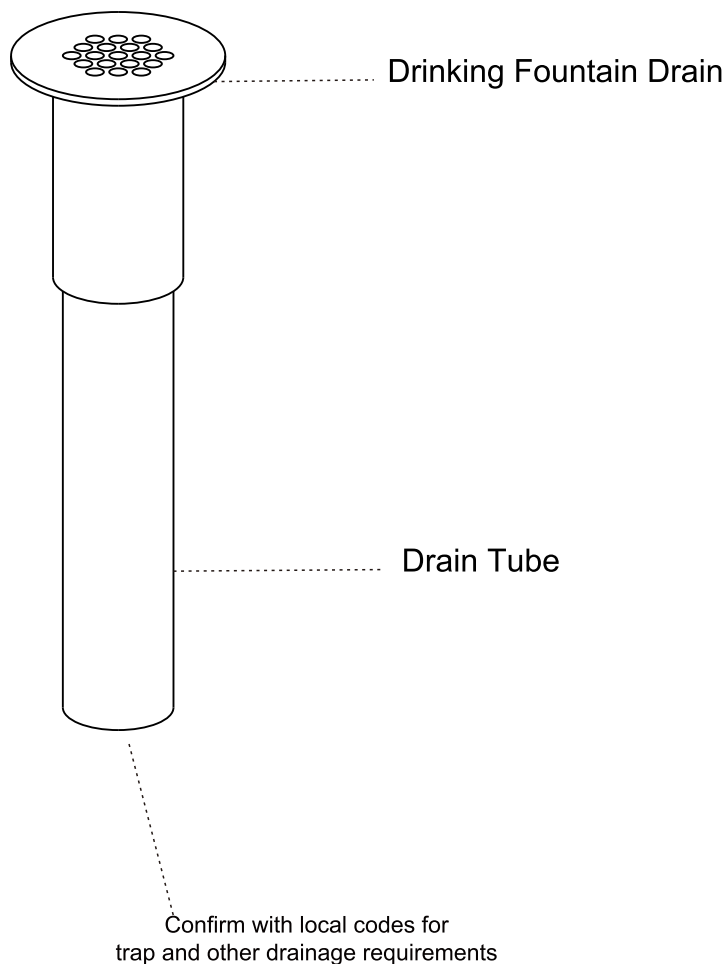
step6.



Pedestal Washfountain 2 Station Foot Operated

CONNECT WATER DRAIN LINES

- All water connections and drains must comply with local codes.
- Through the rear access windows, connect water drain lines as illustrated below.
NOTE: All drain lines attach with *quick connect* connections.
- Installation of a trap on the water drain line may be necessary; check local codes.



Note: Turn on water supply and check all connections for leaks and proper operation.

WARNING: Flush all water supply lines thoroughly before initial use.

DRAINING AND WINTERIZATION

- Before freezing temperatures occur, turn off the water at the shut-off valve, disconnect the water supply line tubing and blow out lines. Press down on push button to release any air pressure that may remain in the lines.
- Remove trap before winterization draining.
- DO NOT allow water lines to freeze. Cracked or broken components due to freezing are not covered by warranty.

Pedestal Washfountain 2 Station Foot Operated

CONNECT WATER INLET LINES

- Install a shut-off valve (not included) on the water supply.
- All water connections and drains must comply with local codes.

Though the rear access windows, connect water inlet lines as illustrated below:

