



GLOBAL INDUSTRIAL™

We can supply that.®

User Manual

Manual de Usuario

Manuel de l'Utilisateur

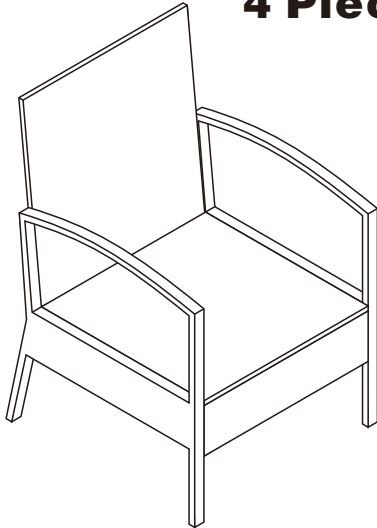
Customer Service
US: 1-800-645-2986




Servicio de atención al Cliente
US: 1-800-645-2986

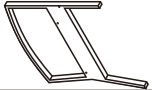
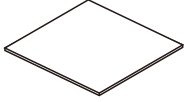

Service à la clientèle
Canada: 888-645-2986

4 Piece Outdoor Rattan Patio Set

Model:348127

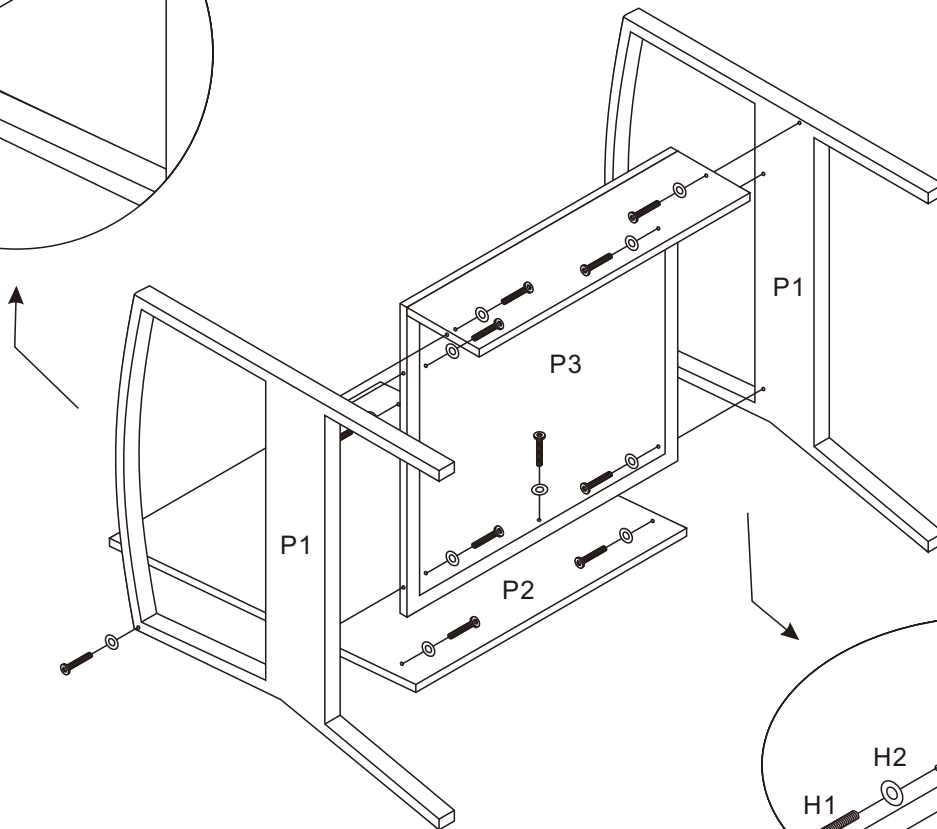
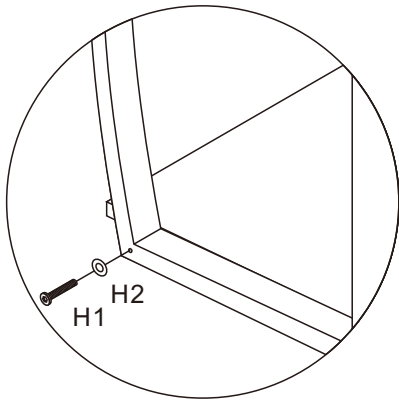


| CONTENTS | | |
|----------|------|---|
| Ref. | Qty. | Description |
| H1 | 11 |  |
| H2 | 11 |  |
| H3 | 1 |  |

| CONTENTS | | |
|----------|------|---|
| Ref. | Qty. | Description |
| P1 | 2 |  |
| P2 | 1 |  |
| P3 | 1 |  |

Step 1: Attach the chair arm (P1) to the seat (P2) and the chair back (P3) using H1 & H2

Step 2: Attach the other chair arm (P1) to the other side of the seat (P2) and chair back (P3) using H1 & H2





GLOBAL INDUSTRIAL™

We can supply that.®

User Manual

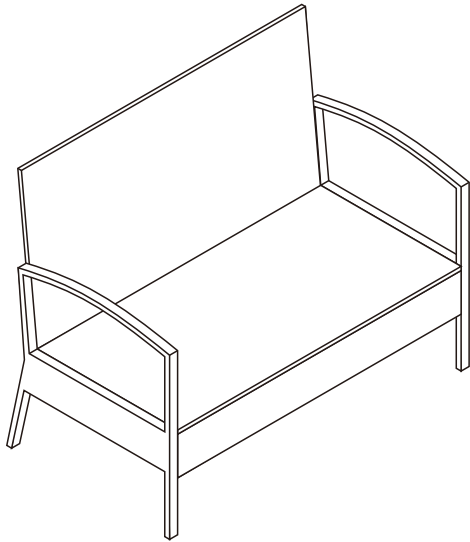
Manual de Usuario




Manuel de l'Utilisateur

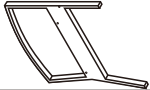


Customer Service
US: 1-800-645-2986

Servicio de atención al Cliente
US: 1-800-645-2986

Service à la clientèle
Canada: 888-645-2986

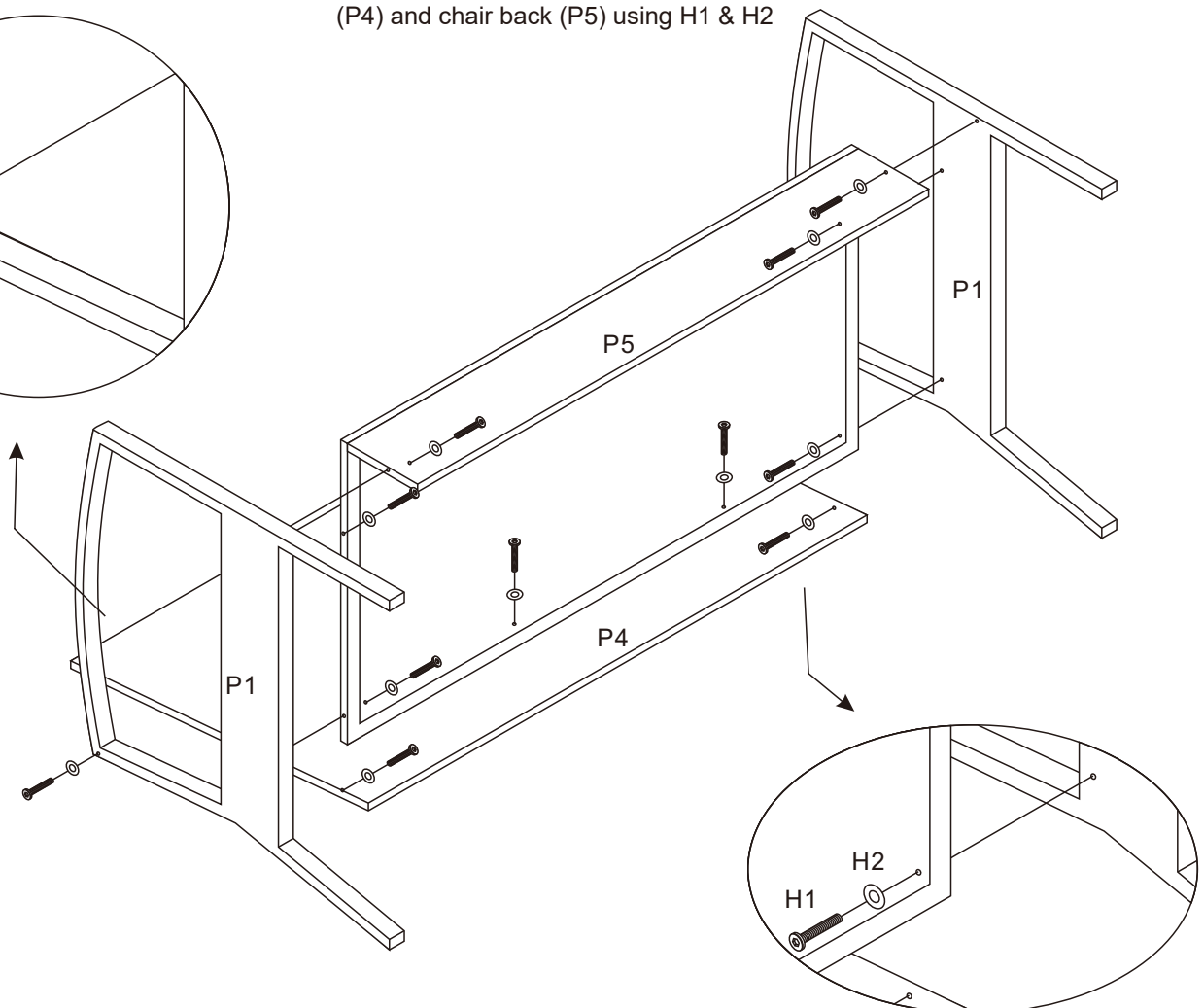
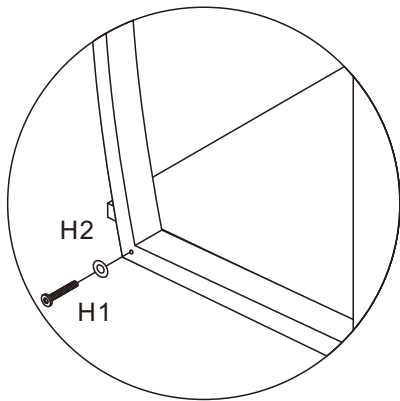


| CONTENTS | | |
|----------|------|---|
| Ref. | Qty. | Description |
| H1 | 12 |  |
| H2 | 12 |  |
| H3 | 1 |  |

| CONTENTS | | |
|----------|------|---|
| Ref. | Qty. | Description |
| P1 | 2 |  |
| P4 | 1 |  |
| P5 | 1 |  |

Step 1: Attach the chair arm (P1) to the love seat (P4) and the love seat back (P5) using H1 & H2

Step 2: Attach the other chair arm (P1) to the other side of the love seat (P4) and chair back (P5) using H1 & H2





GLOBAL INDUSTRIAL™

We can supply that.®

User Manual

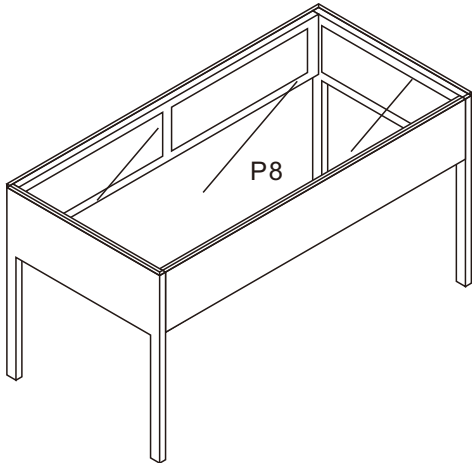
Manual de Usuario




Manuel de l'Utilisateur




Customer Service
US: 1-800-645-2986

Servicio de atención al Cliente
US: 1-800-645-2986

Service à la clientèle
Canada: 888-645-2986



| CONTENTS | | |
|----------|------|---|
| Ref. | Qty. | Description |
| H1 | 8 |  |
| H2 | 8 |  |
| H3 | 1 |  |

| CONTENTS | | |
|----------|------|---|
| Ref. | Qty. | Description |
| P6 | 2 |  |
| P7 | 2 |  |
| P8 | 1 |  |

Step 1: Attach one side of the table legs (P6) to the table sides (P7) using H1 & H2

Step 2: Attach the other side of the table legs (P6) to the table sides (P7) using H1 & H2

Step 3: Place glass table top (P8) onto the top of table base

