

User Manual

Manual de Usuario

Manuel de l'Utilisateur

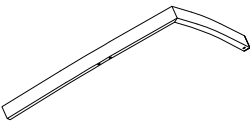
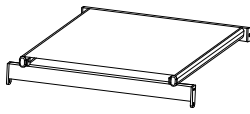
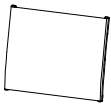
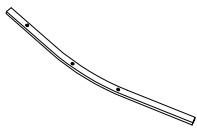
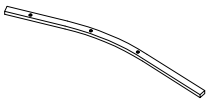
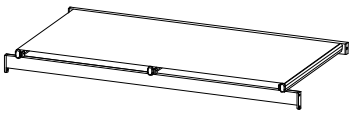
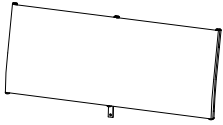
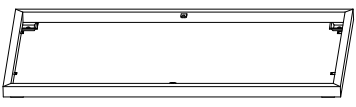
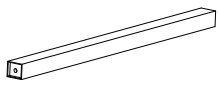
Customer Service
US: 1-800-645-2986

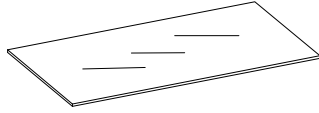
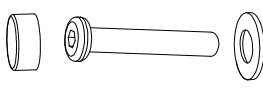
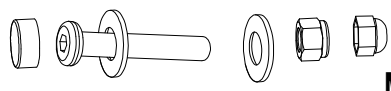
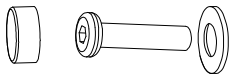
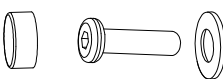

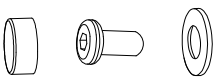
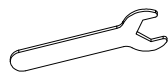

Servicio de atención al Cliente
US: 1-800-645-2986

Service à la clientèle
Canada: 888-645-2986

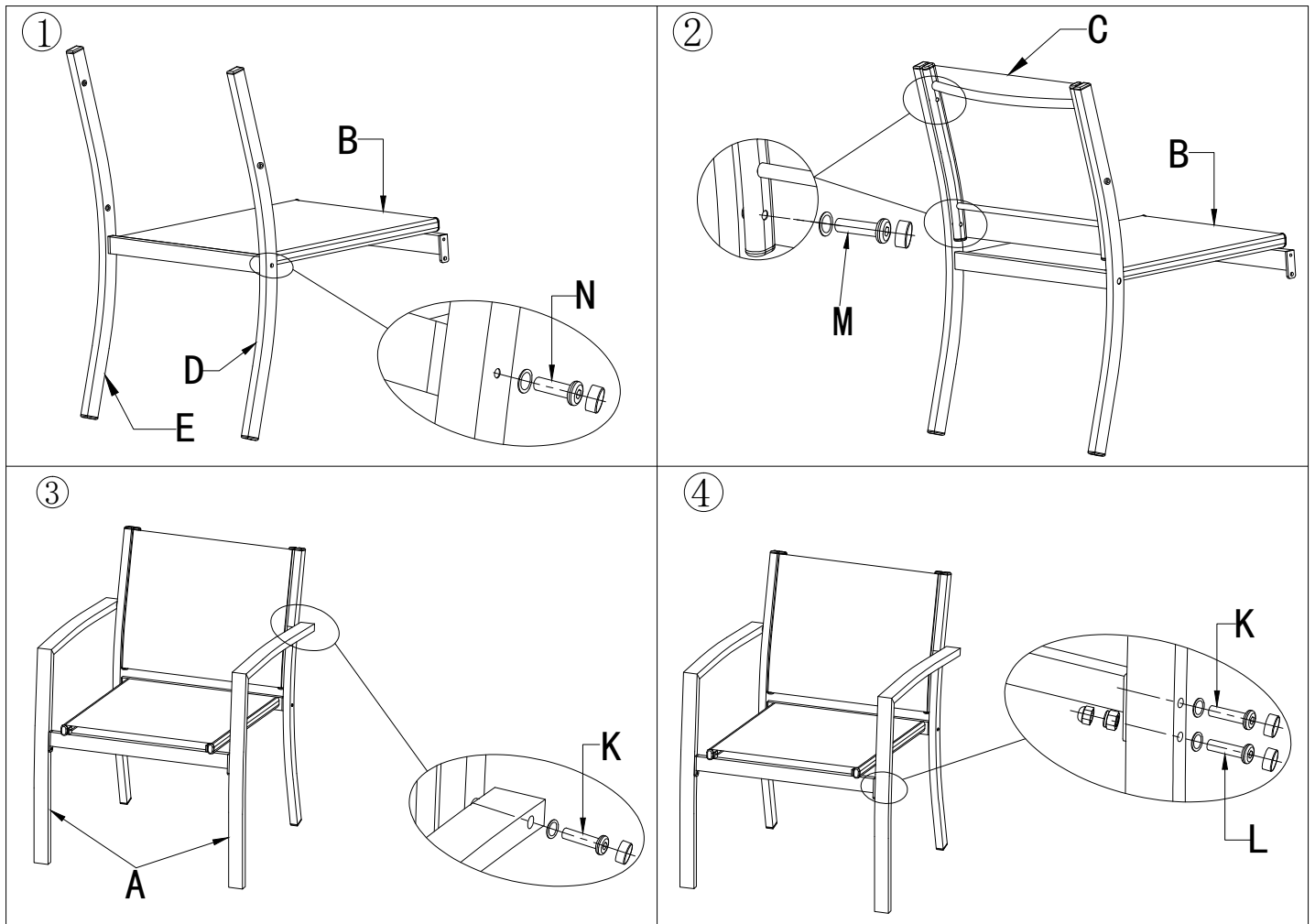
4 Piece Glass Table & Chair Set, Black

Model 348125BK

A		6
B		2
C		2
D		3
E		3
F		1
G		1
H		1
I		4

J		1
K	 M6*55	12
L	 M6*55	6
M	 M6*35	12
N	 M6*30	6
O	 M6*20	4
P	 M6*16	1
		
		

4 Piece Glass Table & Chair Set, Black



INSTRUCTIONS:

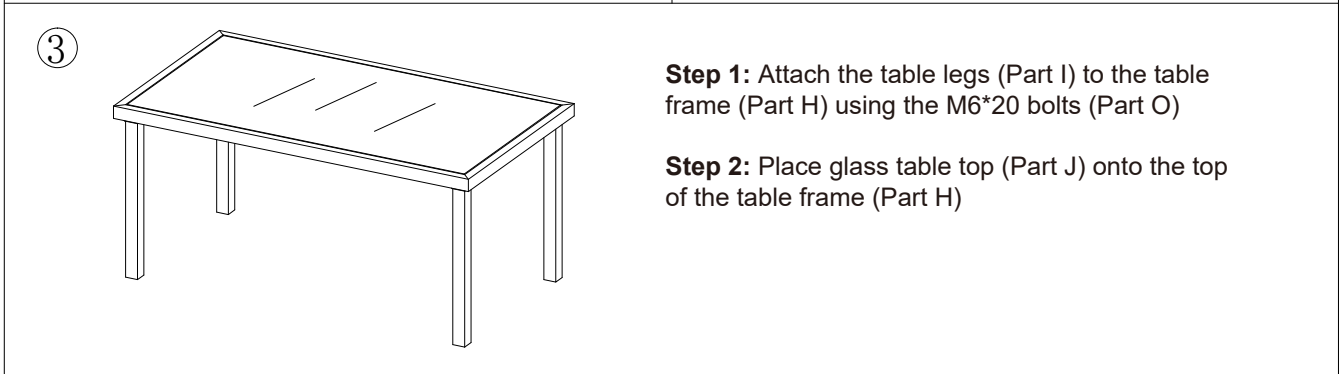
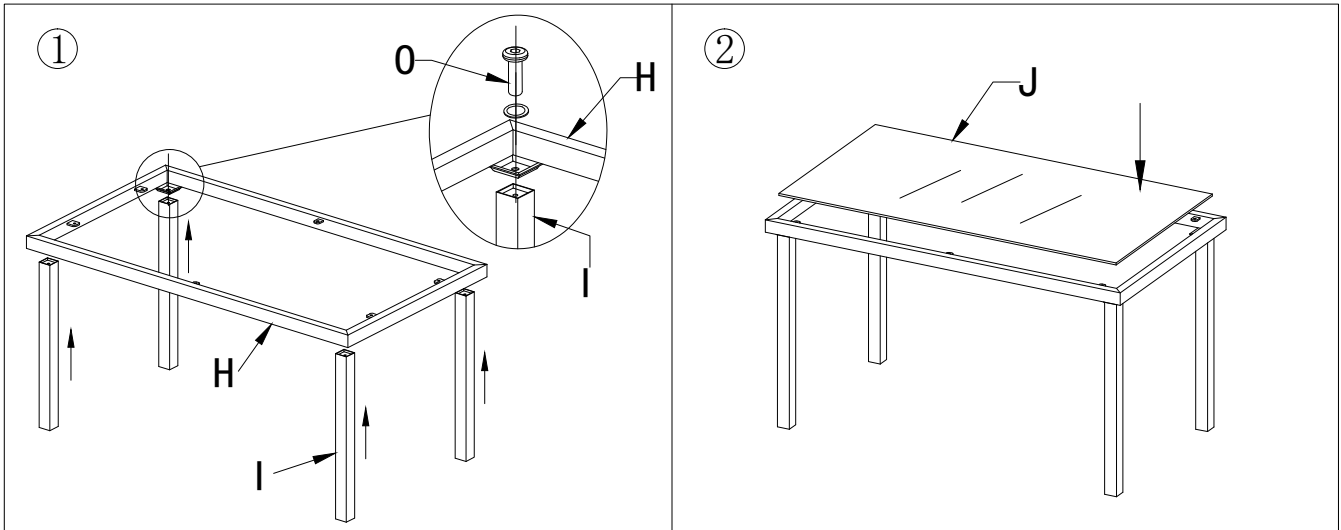
Step 1: Attach the back chair legs (Parts D & E) to the seat (Part B) using the M6*30 bolts (Part N)

Step 2: Attach the chair back (Part C) to the back chair legs (Parts D & E) using the M6*35 bolts (Part M)

Step 3: Attach the front chair legs (Part A x2) to the back chair legs (Parts D & E) using the M6*55 bolts (Part K)

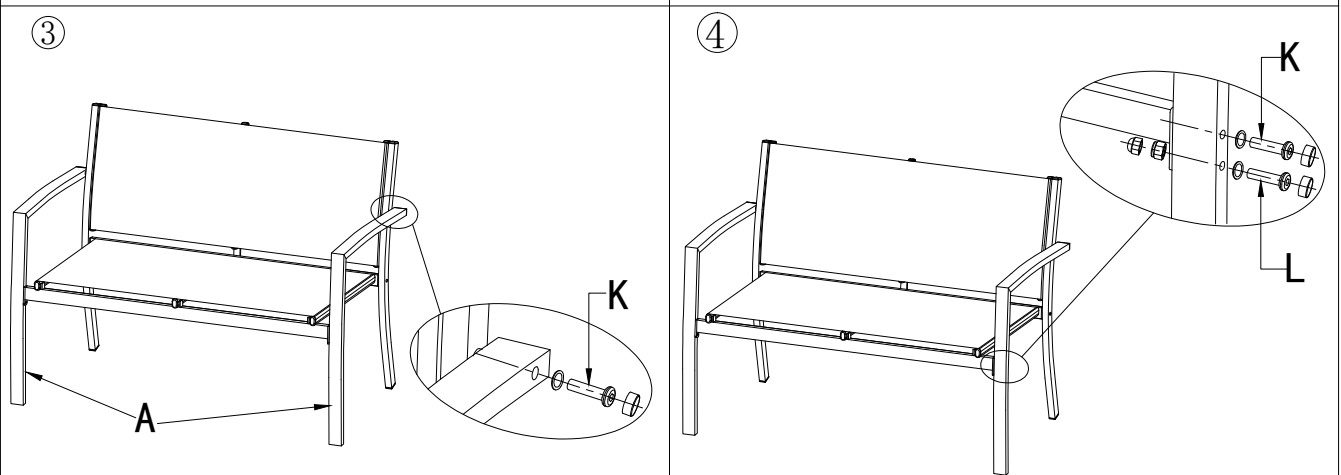
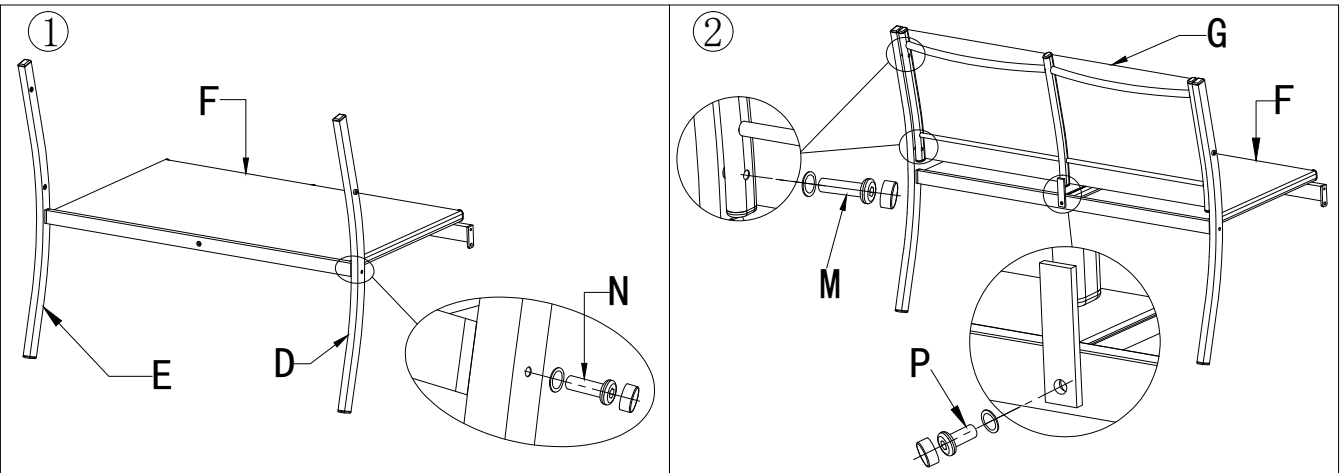
Step 4: Attach the front chair legs (Part A x2) to the seat (Part B) using the M6*55 bolt and nut sets (Part K & L)

4 Piece Glass Table & Chair Set, Black



Step 1: Attach the table legs (Part I) to the table frame (Part H) using the M6*20 bolts (Part O)

Step 2: Place glass table top (Part J) onto the top of the table frame (Part H)



Step 1: Attach the back chair legs (Parts D & E) to the seat (Part F) using the M6*30 bolts (Part N)

Step 2: Attach the chair back (Part G) to the back chair legs (Parts D & E) using the M6*35 bolts (Part M) & M6*16 bolt (Part P)

Step 3: Attach the front chair legs (Part A) to the back chair legs (Parts D & E) & seat (Part F) using the M6*55 bolts (Parts K & L)