



**GLOBALTM
INDUSTRIAL**

We can supply that.®

User's manual

Manual del usuario

Manuel de l'utilisateur

Customer Service
US: 1-800-645-2986

Servicio de atención al Cliente
US: 1-800-645-2986

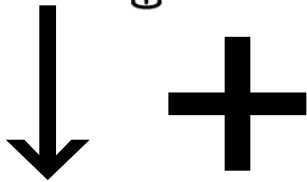
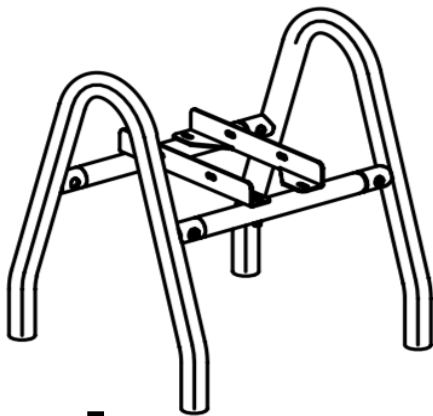
Service à la clientèle
Canada: 888-645-2986

Expanded Metal Food Court Chair

Model: 348115

Contents

| Ref. | Qty. | Description | Ref. | Qty. | Description |
|------|------|------------------|------|------|---------------------------|
| 1 | 2 | Backrest surface | H1 | 7 | M8 x 25 mm Hex Bolt |
| 2 | 2 | Stool leg | H2 | 22 | Washer |
| 3 | 2 | Angle iron | H3 | 11 | M8 Nylon Lock Nut |
| 4 | 2 | Retraction Tube | H4 | 4 | M8 x 55 mm Hex Bolt |
| | | | H5 | 4 | M8*35 Hexagon socket bolt |
| | | | H6 | 4 | Special Nut |
| | | | H7 | 1 | Allen Key |



Tools Required:

- 13 mm Wrench
- 13 mm Socket Wrench
- Level



Warning

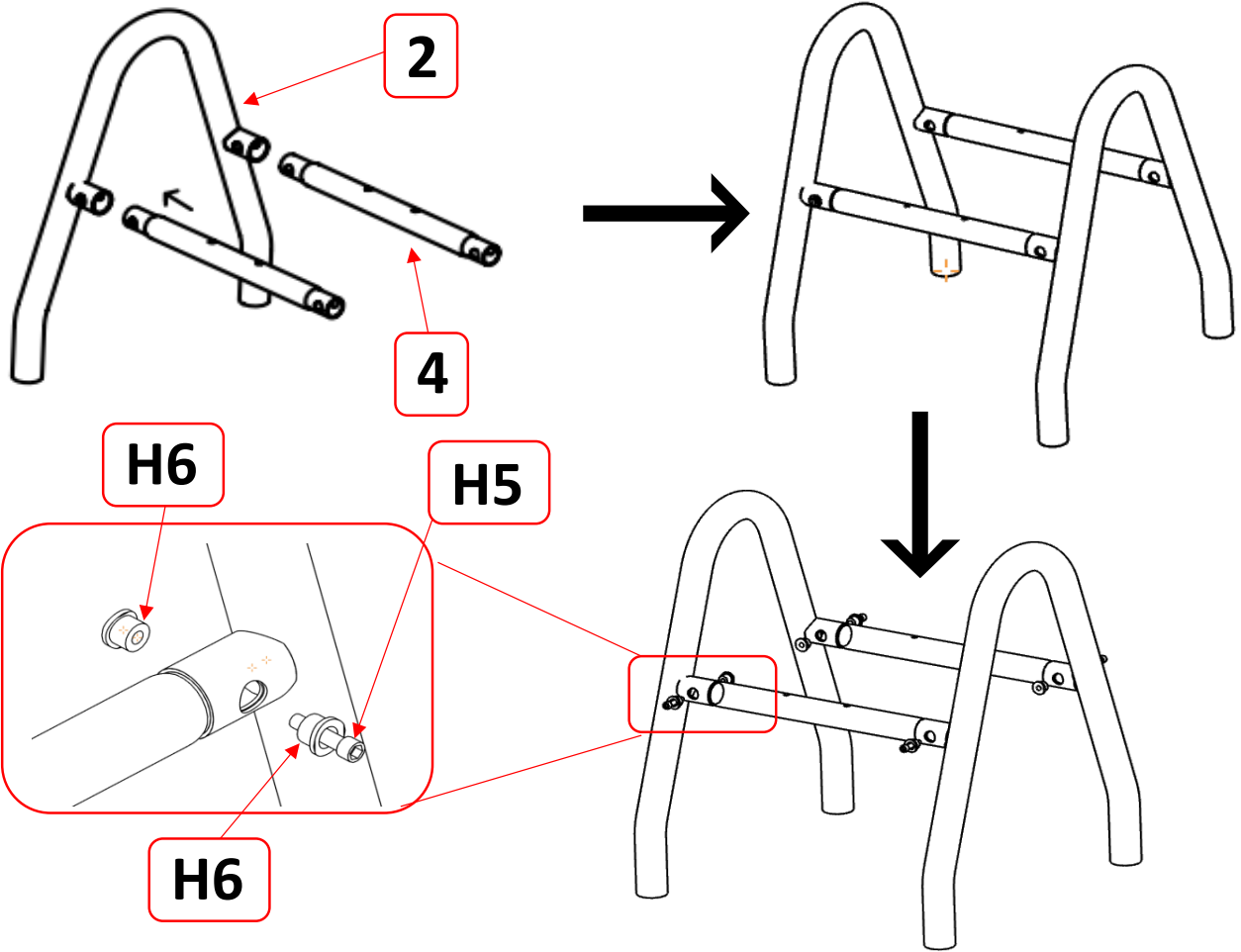
- Assembly and installation of equipment should be performed by 2 people.
- Workers should use OSHA approved safety and lifting equipment.



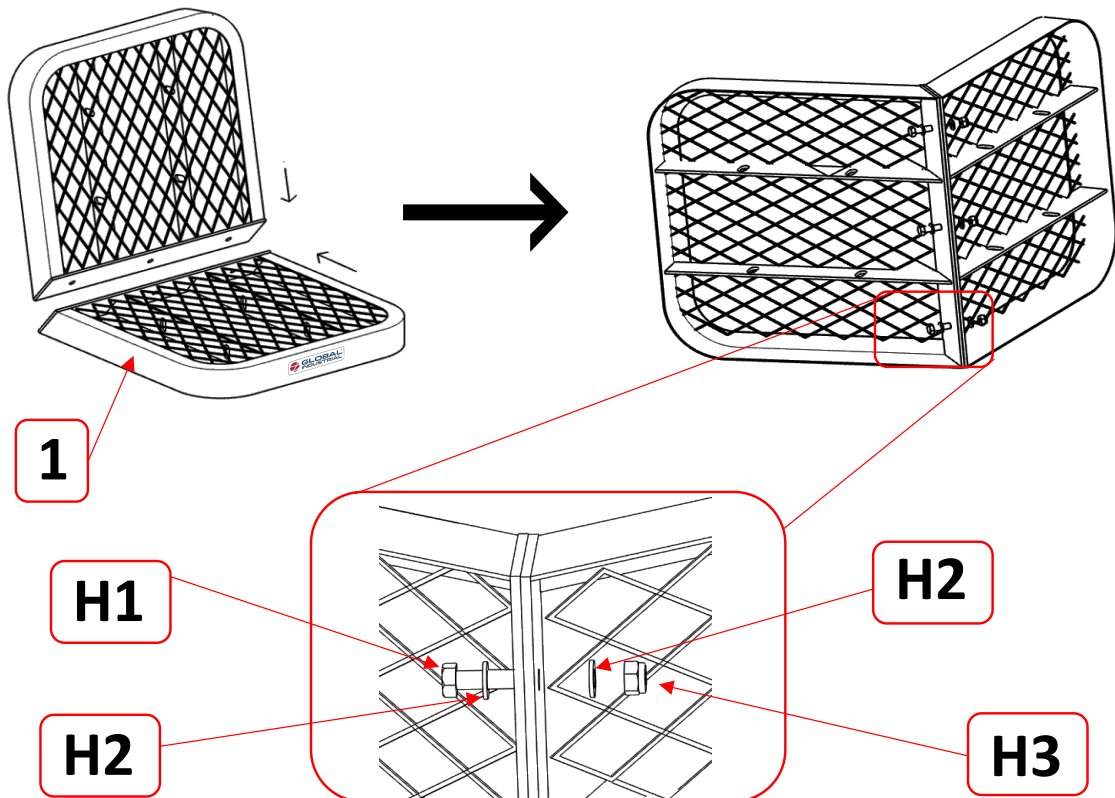
Warning

- Do not climb on, under or through tables and benches.
- Two people required to move tables and benches.
- Do not use if any parts of bench or table are broken or damaged.
- Inspect and tighten hardware every six months.
- Replace rusted hardware and damaged components.

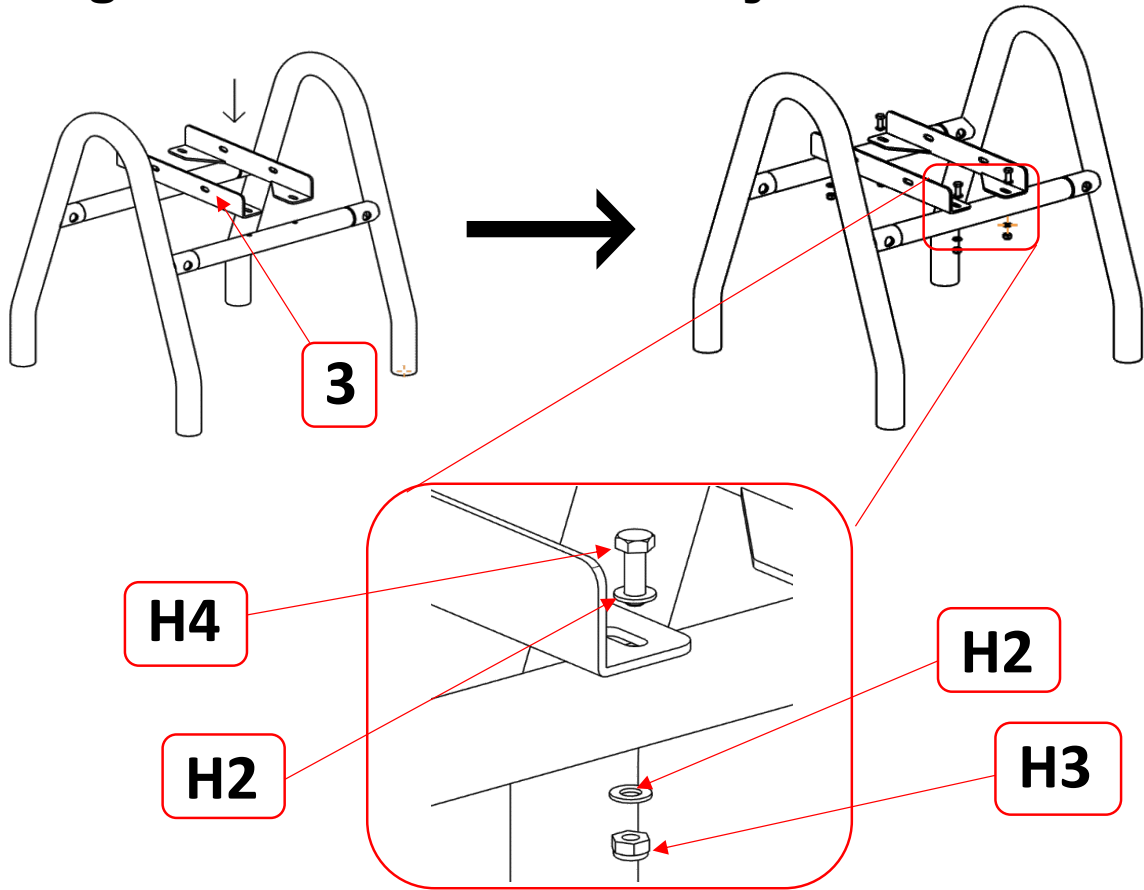
① Base Subassembly



② Seat Subassembly



③ Angle Iron to Base Assembly



④ Full Chair Assembly

