



10 cu. ft. Compact Refrigerator



⚠ WARNING:

IMPORTANT SAFETY INSTRUCTIONS:

Read all instructions before using the appliance.

When using electrical appliances, basic safety precautions should always be followed to reduce the risk of fire, electrical shock, and/or injury to persons, including the following:

1. This appliance must be grounded. Connect only to a properly grounded outlet. See important grounding instructions.
2. Install or locate refrigerator only in accordance with the provided installation instructions.
3. To protect against electric shock, do not place cord, plug, or refrigerator in water or other liquid.
4. Close supervision is necessary when any appliance is used by or near children.
5. Do not operate this appliance if it contains a damaged cord or plug, if it is not working properly, or if it has been damaged or dropped.
6. This appliance should be serviced only by qualified service personnel. Contact the nearest authorized service facility or call our toll-free customer service number for information on examination, repair, or adjustment.
7. Do not cover or block any openings or air vents on this appliance.
8. Do not store this appliance outdoors or use near water.

9. Do not locate this appliance near heat sources or open flame.
10. Do not use or store gasoline or other flammable vapors and liquids in the vicinity of this or any other appliance. The fumes can create a fire hazard or explosion.
11. Do not place heavy objects or magnet items on top of refrigerator.
12. The refrigerant of this product is R600a, which is flammable. Make sure not to damage the cooling system during transportation and installation.
13. To minimize the risk of possible ignition due to improper service or the use of incorrect parts, this unit must be serviced by factory authorized personnel only.

PLEASE SAVE THESE INSTRUCTIONS

⚠ DANGER: RISK OF CHILD ENTRAPMENT

Prior to discarding old refrigerators or freezers:

1. Remove doors.
2. Leave shelves in place so that children may not climb inside

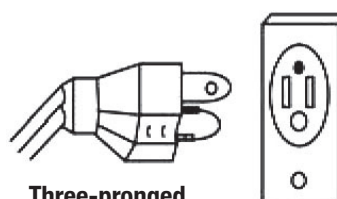
Note: All refrigeration products contain refrigerants, which under federal law must be removed prior to disposal. If disposing an old refrigerator, verify with a qualified disposal company for instructions.

IMPORTANT GROUNDING INSTRUCTIONS

This appliance must be grounded. The plug must be plugged into an outlet that is properly installed and grounded.

⚠ WARNING: Improper use of grounding can result in a risk of electric shock.

1. Consult a qualified electrician if the grounding instructions are not completely understood or if doubt exists as to whether the appliance is properly grounded.
2. If an extension cord is required, use only a 3-wire extension cord with a 3-blade grounding plug, and 3-slot receptacle that will accept the unit plug. The marked electrical rating of the extension cord should be equal to or greater than the rating of the appliance.

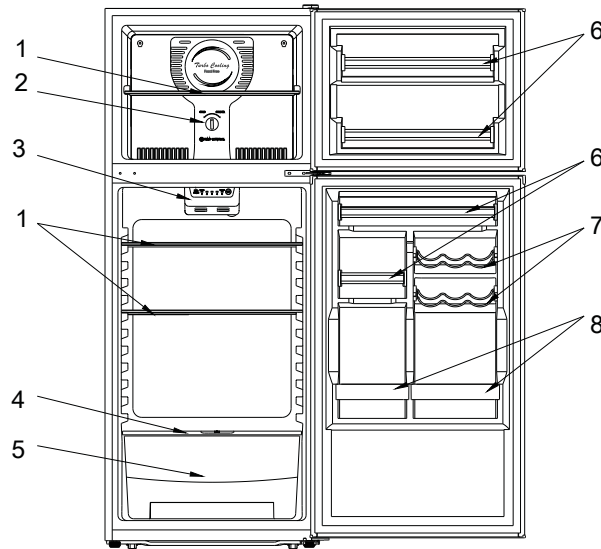


**Three-pronged
(grounding plug)**

**Properly
polarized and
grounded
outlet**

10 cu. ft. Compact Refrigerator

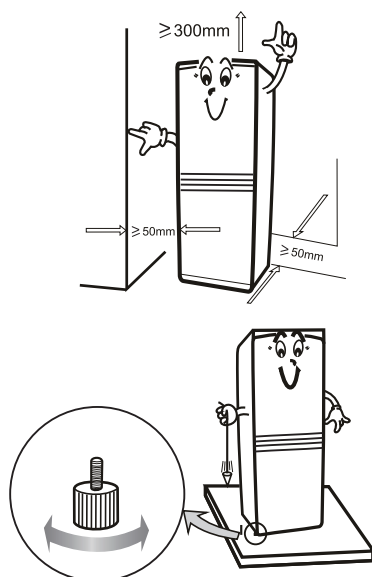
PARTS AND FEATURES



1. Shelves
2. Wind tunnel knob
3. Lamp and temperature Control button
4. Crisper glass cover
5. Vegetable crisper
6. Rod
7. Cola bar
8. Bottle protector

INSTALLATION INSTRUCTIONS

1. The refrigerator should be located in a completely flat surface, Leave 5-10 cm between each side of the appliance and the wall, and leave 30 cm between the top of the appliance and the ceiling.
2. Choose a location which is not exposed to sunlight, high temperature or humid, as humidity may cause stain.
3. Puled out the bottom panel before installation.
4. The appliance can be adjusted by rolling its two legs in front the bottom when it is unstable. Rolling in clockwise can rise up the machine.
5. The location should be firm and flat. An un-securely position may cause noise and libration:
 - (a) The noise may be increased if the floor is not firm.
 - (b) Put a sheet under the appliance for solving the heat emission if you need to locate it onto a carpet.
6. Make sure the adjustable legs are clung to the floor, and set the appliance slope backward slightly for keeping the doors closed tightly.



REVERSE AND INSTALL THE DOORS

You can choose to open your refrigerator by the right side or the left one. To change the way of opening, please follow the below instructions

Important safety warning: before doing so please unplug and disconnect the appliance

Except the Accessories packed, you still need:

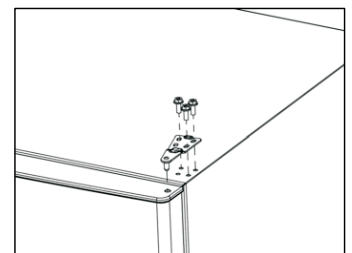
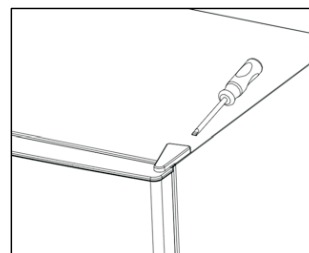
Medium-sized cross screwdriver

Small screwdriver

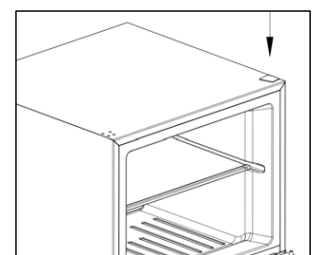
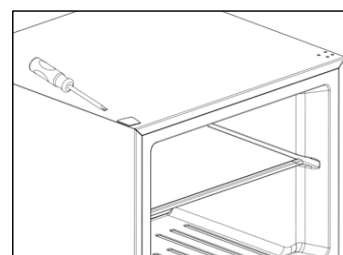
A solid line

One more person who can help you would be better.

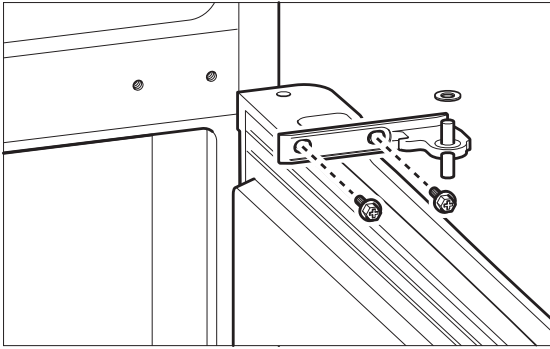
1. Firstly, you need to check if the power connect or not.
2. Open the upper door, and close the bottom door.



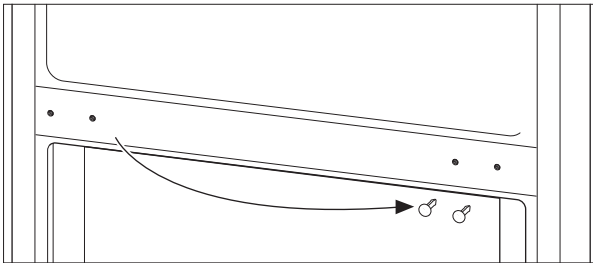
3. Take off the protective covers with a Phillips screwdriver through the back side, and save the protective covers.
4. Take off the 3 shelf-tapping screws, and save them.
5. Push the top hinge forward, remove the door and save it aside.



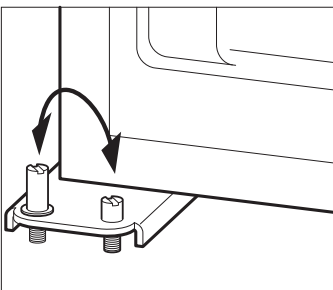
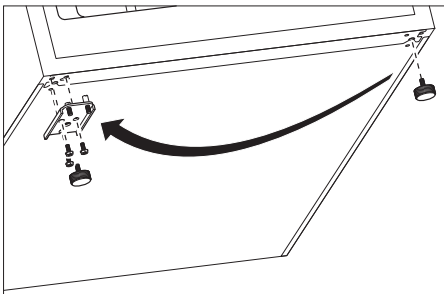
6. Pry off the screw cover on the top left side of the refrigerator to uncover the screws holes.
7. Replace screw cover on the top right side of the refrigerator to cover the holes. Cover it also force-fitted.



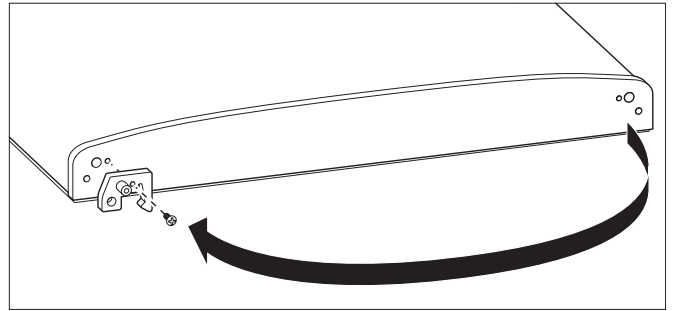
8. Open the bottom door.
9. Take off the 2 screws and save them.
10. Remove the middle hinge.
11. Take out the bottom door and save it.



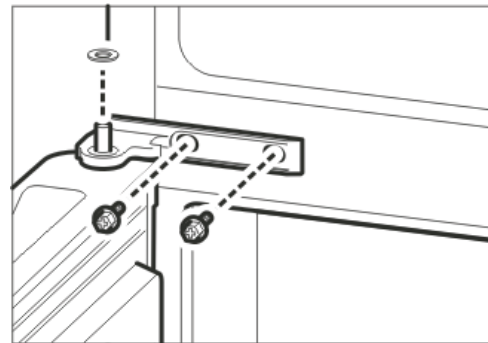
12. Pry off and remove the cover over the screw holes on the left side of refrigerator housing. Attach cover on the right side. Cover is force-fitted.



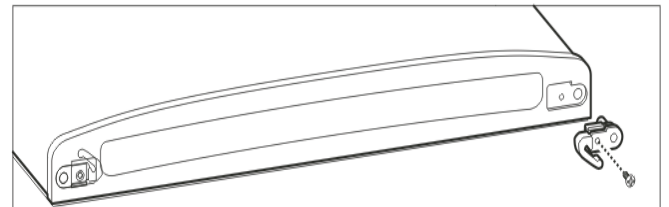
13. Slightly backward the machine against the wall.
14. Take off the 2 fixed feet
15. Take off the bottom hinge.
16. Assemble the bottom hinge in the other side of the machine.
17. Fixed up the feet.
18. Exchange the 2 bolts and fixed them in the other sides.



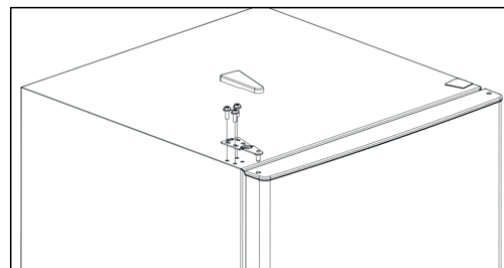
19. Remove the fixed plate of hinge on the bottom door, and fix it on the other side.
20. Fix up the bottom door on the outside bolts.



21. Fix up the middle hinge on the bottom door, position it on left side of the refrigerator and reattach with two screws.



22. Take off the right door closer and fix the left closer in the other side of the upper door.



23. Place the top hinge on top of the freezer door and line up the top hinge with holes on top of the refrigerator. Use three screws to replace the hinge. Then tighten the screws. Force-fill protective covers over top hinge.

10 cu. ft. Compact Refrigerator

OPERATION INSTRUCTIONS

PLACEMENT OF FOOD

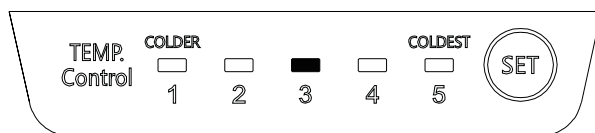
1. There should always be some space between items inside for air circulation.
2. Food should be kept in sealed package to avoid becoming dry or with odour.
3. Hot food should be cooled down before placing into the appliance. Otherwise, interior temperature and electronic consumption will increase.
4. Reduce the frequency of door opening can efficiently low down the electronic consumption.



INSTRUCTION FOR USAGE

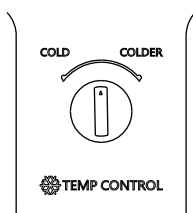
REFRIGERATOR CONTROL

The temperature of refrigerator can be controlled manually by the display. However, the number shown on the display does not directly represent the temperature. Instead, the larger the number is the lower the interior temperature will be. Initially set the refrigerator control on the middle setting (number 3). If you want to set the refrigerator temperature to a colder temperature pressing the set button until the state on 4 or 5. Each time the set button is pressed, the state increases by 1. When the state is in the highest state, press the button again and return to the first state.



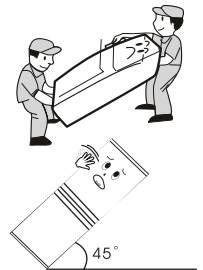
FREEZER CONTROL

If the refrigerator's lower temperature is needed, please regulate the knob along the "COLDER" direction; contrarily, regulate the knob along the "COLD" direction.
 Note: Regulate the knob to set the freezer temperature as you desire. Always wait 24 hours after any adjustment to reach the desired temperature.



PACKING AND MOVING

1. Unpack , repack and carry
 Please memorize the position of each accessory of the appliance when unpack it, repack the product and check it carefully before transportation.
2. Do not lift or pull the door or the door handle during transportation.
3. When moving, the appliance can not be sloped over 45 degrees (the angle to the vertical direction). Please avoid strong vibration and hit.



MAINTENANCE

The appliance should be maintained and cleaned frequently. For your safety, do please pull the plug out of the socket before the cleaning.

1. Interior maintenance Clean the interior of the appliance with clean water or neutral abluent. Scour it with clean water and wipe it with a piece of dry cloth.
2. Maintenance of door gasket It is easy to damage if the door gaskets are polluted by the stain like oil, sauce and etc., so it is better to clean them carefully.
3. Outer maintenance Wipe the dusty with a piece of dry cloth ,clean it with neutral abluent if necessary.

DEFROST

Defrost of refrigerator will be executed automatically during product running, so it is no requirement for manual defrost. The defrost water flows into the vaporization plate and will be vaporized by the heat of compressor. So its drain tube must be cleaned.


Warning Do not use mechanical devices or other means to accelerate the defrosting process, other than those recommended by the manufacturer

10 cu. ft. Compact Refrigerator

DISCONNECTING THE APPLIANCE


After power failure, even in summer, the refrigerator can store food normally in several hours.

1. Discontinuation during power failure
After power failure, do not put additional food in the appliance and reduce the frequency of door opening. Make several ices in a container if know the power failure beforehand, and put it in the top of the fridge.
2. Discontinuation during vacation
Please fetch out the easy-rot food and the food in fridge before shot vacation. After confirmation, close the door firmly. If have a long vacation, please fetch out all the food and cut off the power. After defrosting, clean up the liner of the appliance and wipe it dry, and leave the door open.
3. Stop using
If the refrigerator may be stopped using for a long time, please unplug the outlet and clean up the appliance. The door should be kept open in order to prevent unpleasant smell caused by food leavings.

 **Attention** In a general condition, do not stop the appliance in case of affecting its life. After unplugging the power, please leave at least 5 minutes Attention before resumption.

USER NOTIFICATIONS

1. Do not splash water on the refrigerator, as it will cause oxidation and malfunction. Electronic component such as on/off button should be wiped dryly.
2. Cleansers such as soap powder, abrasive cleaning powder, alkali cleansers, chemical cloth, thinner, alcohol, acid petroleum product and hot water should not be used to clean the refrigerator as they may damage the painted cover and plastics.
3. Smear can damage the interior plastic component, so wipe it as soon as possible.
4. Please check the points below after maintenance:
 - (1) Is there any damage or loss of the electronic wire?
 - (2) Can the plug be put in the socket reliably and smoothly?
 - (3) Is the plug heating unconventionally?

 **Warning** Please get rid of the gasket of the door before the disposal. The disposed apparatus should be handled by professional staff, as it may be harmful to the environment.

TROUBLESHOOTING TIPS

1. The refrigerator does not work
It may not be connected to the power supply (plug, power cut or fuse); Voltage is too low.
2. The refrigerator does not work efficiently as expected
It may be caused by heavy frost, or by warm temperature setting, or by frequently door operating.
3. It makes unusual noise
It may be caused by an imbalance or loose ground locating the appliance, or by resonance between the appliance and other ambient objects.

4. The compressor keeps working for a long period
The environment temperature may be too high. The doors may be opened frequently or even they are left open. The temperature control knob setting in (4-5) state may increase the working time of compressor.
5. Disgusting odour happens
Food with strong odour should be packed tightly before being put inside the appliance. Please check whether there is any deteriorated item or whether the liners are left dirty for a long time.
6. Water leaks from the bottom of the refrigerator
The drain tube is jammed. Please use a proper tool to solve it.
7. Heavy frost occurs on the rear of the appliance
Putting humid or hot food into the appliance may cause this problem. Or it may be caused by the heavy environment moisture.

No	Defect	LED1-LED5	Description
1	Refrigeration Sensor Failure	● ● ○ ○ ○	Indicated LEDs will flash intermittently at 0.5s intervals.
2	Defrost Sensor Failure	○ ○ ● ● ○ ○	
3	Fan Failure	○ ○ ● ● ○	
4	Overheating Failure	● ○ ○ ○ ○ ○ ○ ● ○ ○ ○ ○ ○ ○ ● ○ ○ ○ ○ ○ ○ ● ○ ○ ○ ○ ○ ○ ● ○ ○ ○ ○ ○ ○ ●	One of Indicated LEDs will flash intermittently at 0.5s intervals.

The follow cases are not malfunction

1. Moisture may form dew on the outside of the product during the humid season, just get it wiped.
2. The flow of refrigerant through the pipeline coil can cause a bicker.
3. It is normal that the sides of product get warm as a result of the cooling pipeline working.
4. The frame of the appliance will be warm during working by the defrost pipeline inside it.

Please check the points above first.
If the supply cord is damaged, it must be replaced by the manufacturer, its service agent or similarly qualified persons in order to avoid a hazard.

10 cu. ft. Compact Refrigerator

SPECIFICATIONS

Model		243227
Climate		T
Electric shock protection type		I
Capacity (cu. ft.)	Freezer	2.47
	Refrigerator	7.52
Voltage (V)		115
Frequency (Hz)		60
Current (A)		1.2
Voice (dB)		≤45
Energy consumption (kWh/24h)		0.9
Refrigerant		R600a/1.41oz
Weight		114.9lbs
Interior temperature (F)	Freezer	≤ 5
	Refrigerator	32 ~ 46.4
Unit dimensions (in inches)	Width	23.58
	Depth	25.71
	Height	59.72

PACKING LIST

Parts	Number
Shelve	3pcs
Crisper glass cover	1pcs
Vegetable crisper	1pcs
Rod	4pcs
Cola bar	2pcs
Bottle protector	2pcs
Owner's manual	1pcs

Note: Products are subject to improve from time to time, any changes in parts without further notice.