



BY  **IRONWOOD**

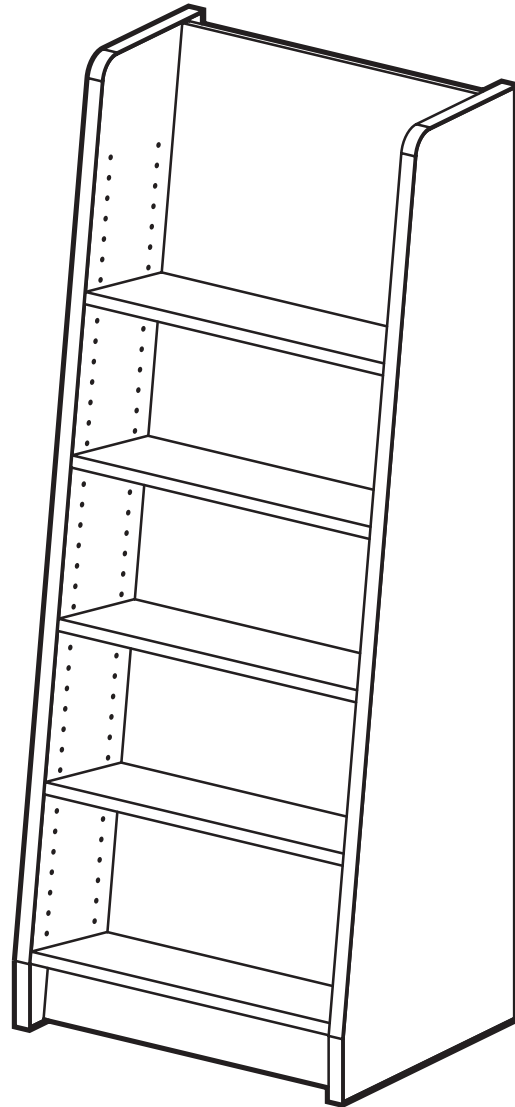
## LIBRARY FURNITURE

---

# LFPD

---

## PAPERBACK DISPLAY



### **IMPORTANT!**

**Assembly may require the assistance of another person.**

**Before you begin assembly:**

**READ THE DIRECTIONS** all the way through one time. This will speed up the process and help you understand the sequence of steps.

**COUNT THE PARTS AND HARDWARE** before assembly. This ensures you have received all necessary parts before you begin.

**TOOLS:** You may need a Phillips head screwdriver, a medium slotted screwdriver or a plastic mallet. To protect your new furniture from damage during assembly, it is recommended to work on a carpeted surface.

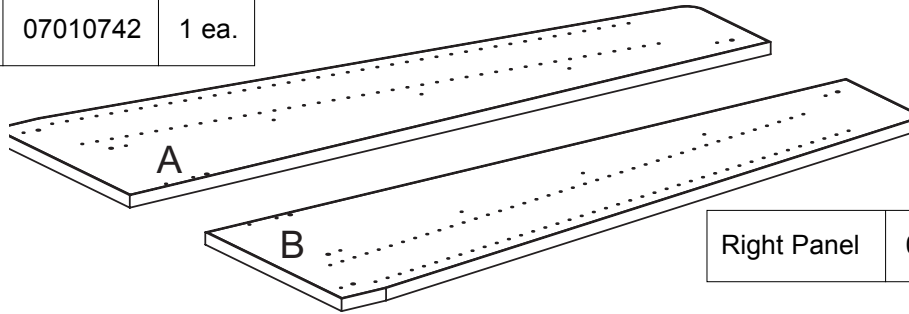
In the event any parts are missing from this package, send your name, address, telephone number, and a description of the missing part(s) to: **PARTS, Box 1420, Missoula, MT 59806** or call: **1-800-769-5693** or **FAX 1-800-445-5281**.

**CAUTION:** On assemblies requiring glue, make sure the unit is assembled correctly before gluing. Once this unit is assembled with glue, the manufacturer will not be responsible for damaged parts. Keep a damp cloth or sponge handy to wipe off excess glue.

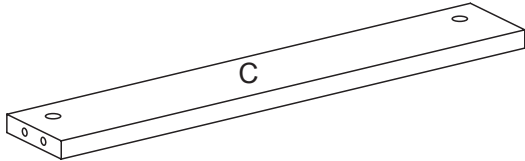
To care for this furniture, simply wipe with a cloth dampened with glass cleaner containing ammonia-D.

## PARTS DIAGRAM

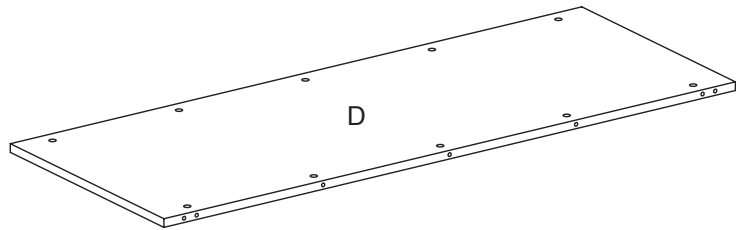
Left Panel	07010742	1 ea.
------------	----------	-------



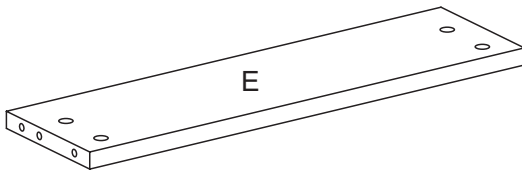
Right Panel	07010742	1 ea.
-------------	----------	-------



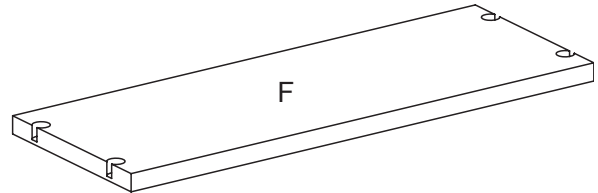
Toeboard	07010772	1 ea.
----------	----------	-------



Sloped Back	07010755	1 ea.
-------------	----------	-------



Back Spanner	07010760	1 ea.
--------------	----------	-------



Fixed/Adj. Shelf	07010724	5 ea.
------------------	----------	-------

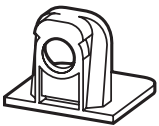
## PARTS DIAGRAM



H2	Minifix Cam	909810	16 ea.
----	-------------	--------	--------



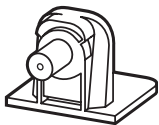
H3	Minifix Bolt	909834	16 ea.
----	--------------	--------	--------



H4	Screw In Tab V	909931	4 ea.
----	----------------	--------	-------



H1	Wood Dowel	195000	8 ea.
----	------------	--------	-------



H5	Push In Tab V	909932	16 ea.
----	---------------	--------	--------



H7	Varianta Screw	988060	4 ea.
----	----------------	--------	-------

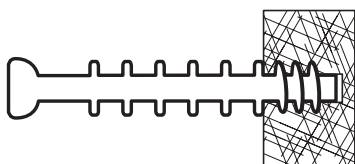


H6	Tab V Housing	909930	20 ea.
----	---------------	--------	--------

### Using the Minifix System:

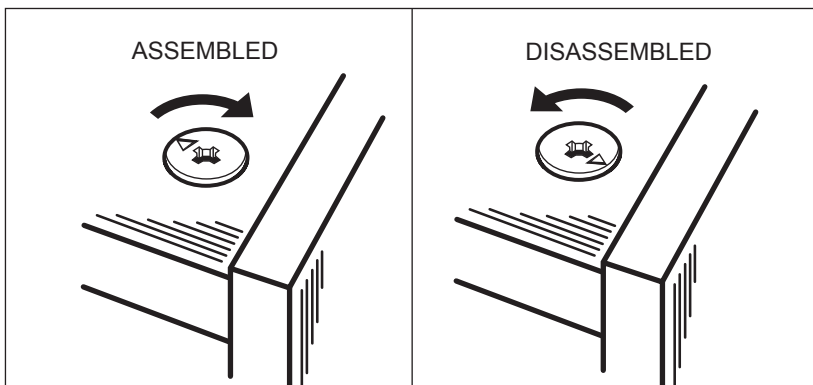
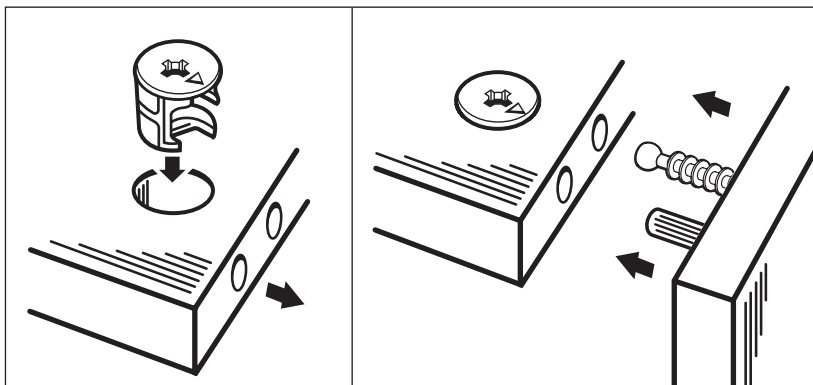
Insert the Minifix Cams into the appropriate holes with the arrow facing outwards as shown.

When screwing post into hole, **Do Not** over tighten. Screw post down until bottom face of post flange just touches board surface.



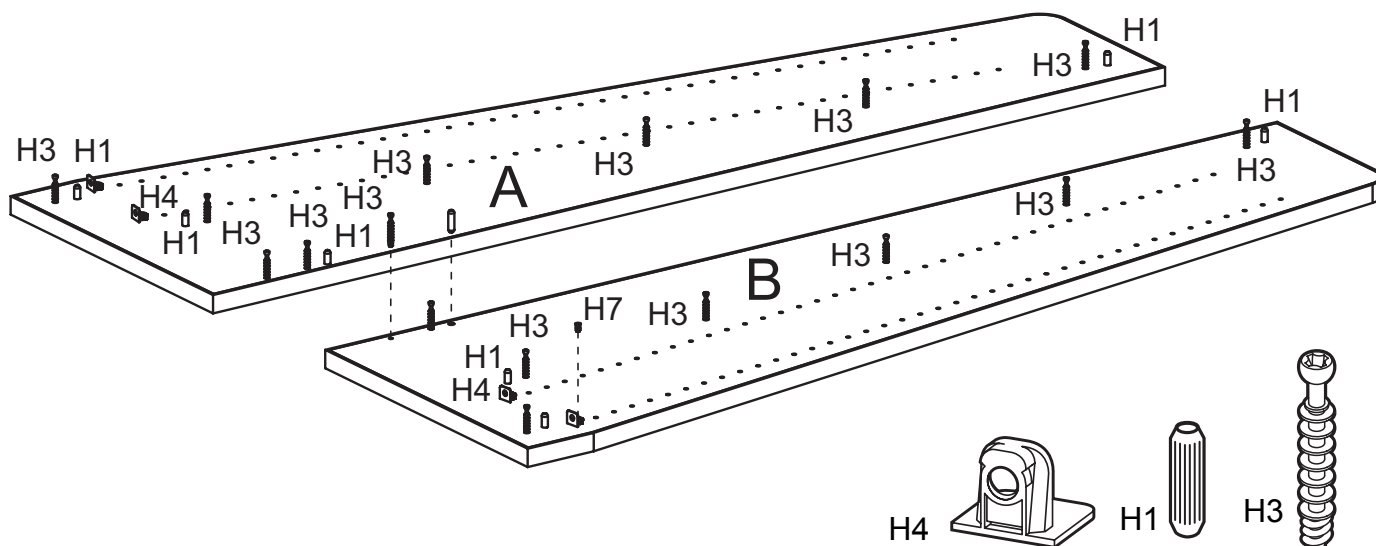
Using the #2 Phillips screwdriver, rotate the Cam Devices a half turn clockwise until snug.

To disassemble, turn the Cam Devices counter-clockwise and remove panels.



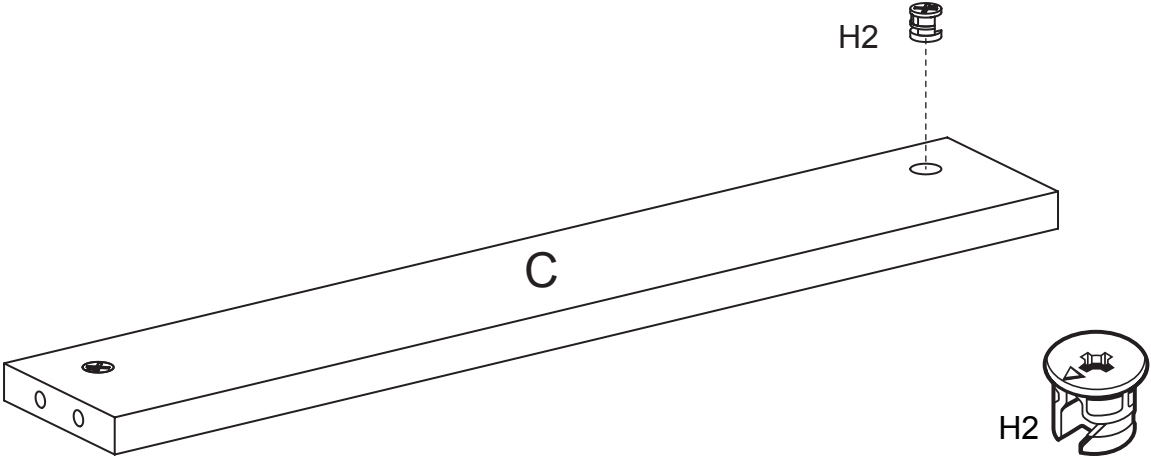
## #1

Insert Wood Dowels (H1) into holes, screw in Minifix Bolts (H3) into corresponding holes. Line up and screw in Tab V (H4) and screw into place with Varianta Screw (H7).



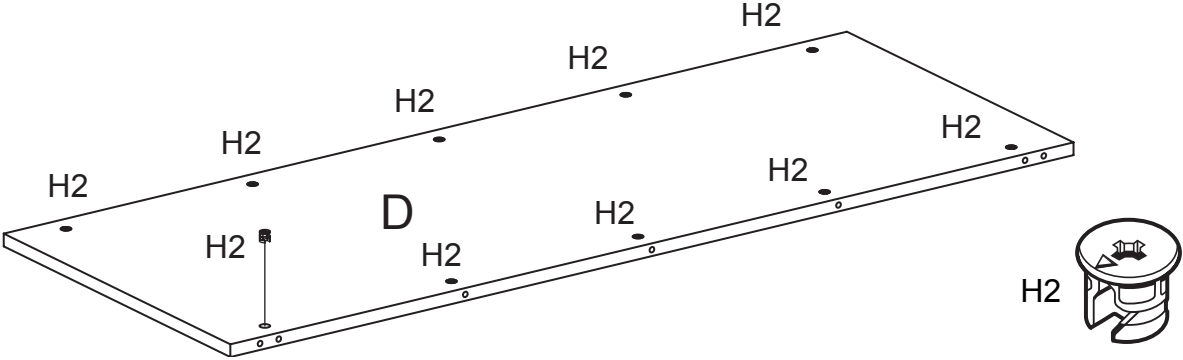
**#2**

Insert Minifix Cams (H2).



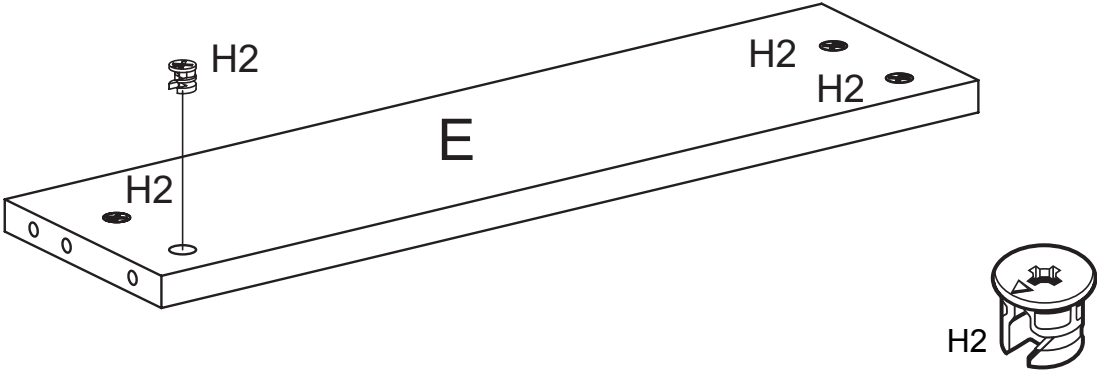
**#3**

Insert Minifix Cams (H2).



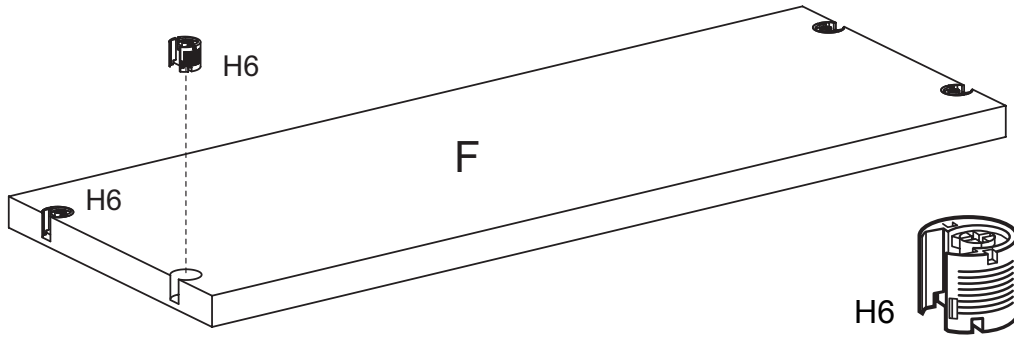
**#4**

Insert Minifix Cams (H2).



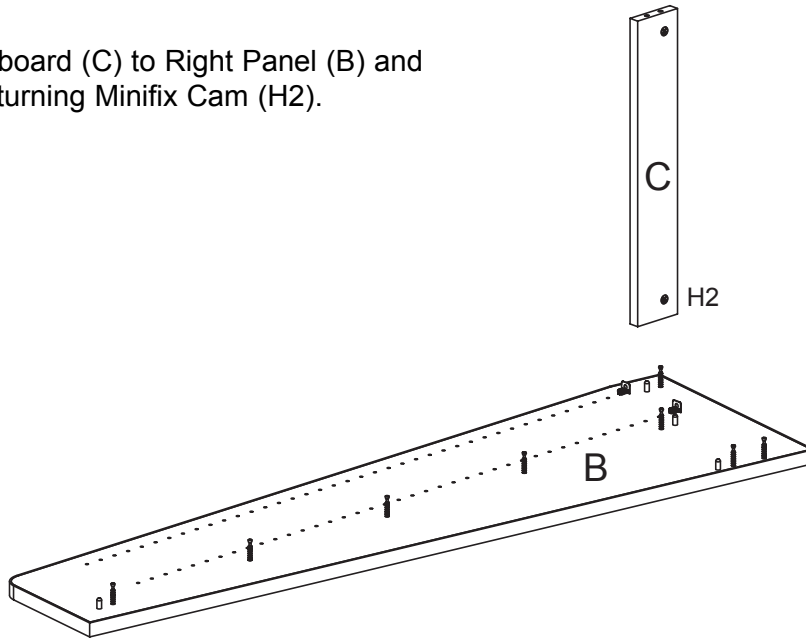
#5

Insert Tab V Housing (H6).



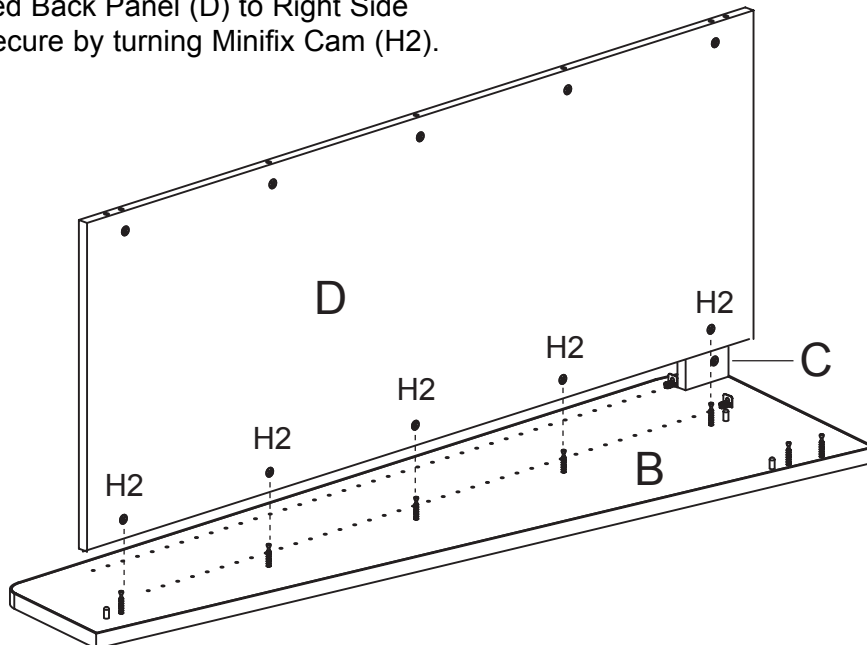
#6

Attach Toeboard (C) to Right Panel (B) and secure by turning Minifix Cam (H2).



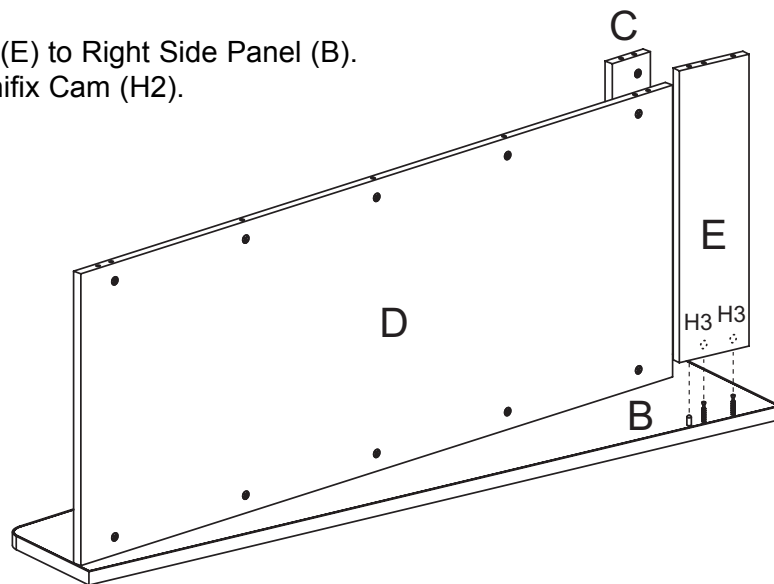
#7

Attach Sloped Back Panel (D) to Right Side Panel (B) Secure by turning Minifix Cam (H2).



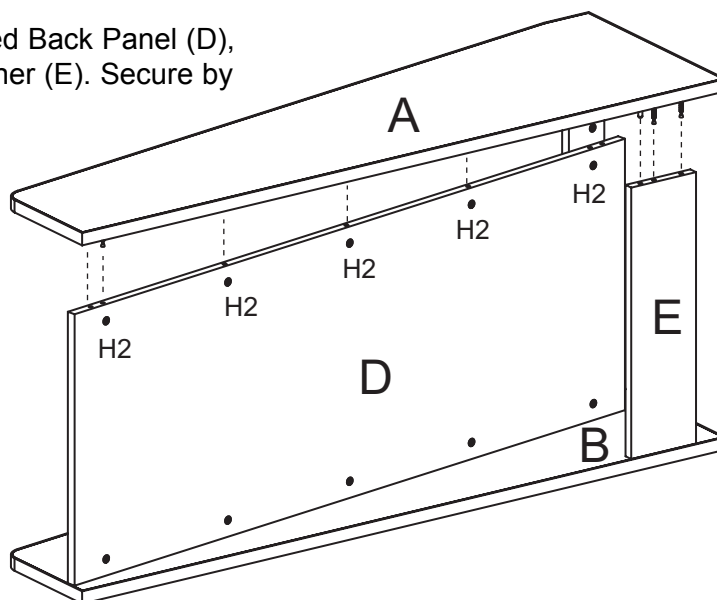
#8

Attach Back Spanner (E) to Right Side Panel (B).  
Secure by turning Minifix Cam (H2).



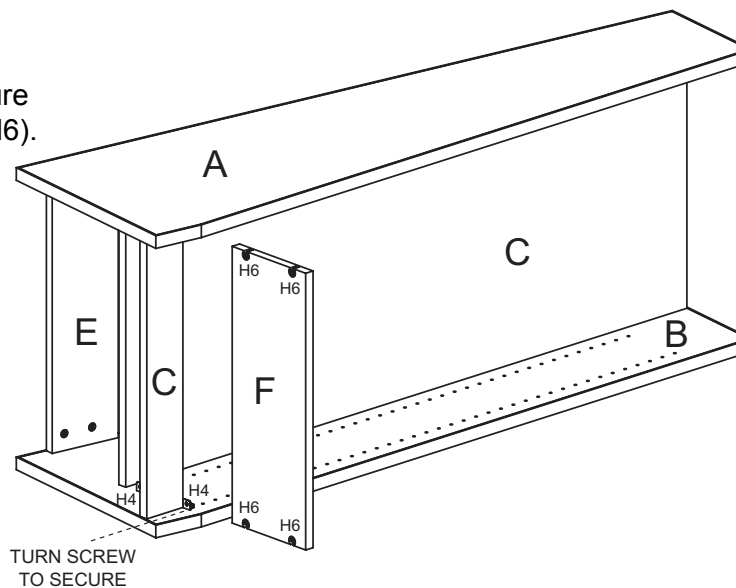
#9

Attach Left Panel (A) to Sloped Back Panel (D),  
Toeboard (C) and Back Spanner (E). Secure by  
turning Minifix Cams (2).



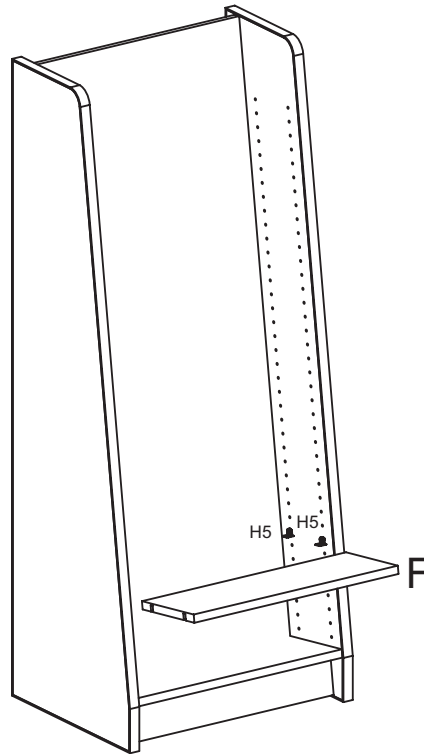
#10

Attach fixed shelf (F) to  
Left/Right Panel (A/B). Secure  
by turning screw in Tab V (H6).



**#11**

Push in Tab V (H5) and attach Adjustable Shelf (F).



**#12**

Assembly is complete.

