

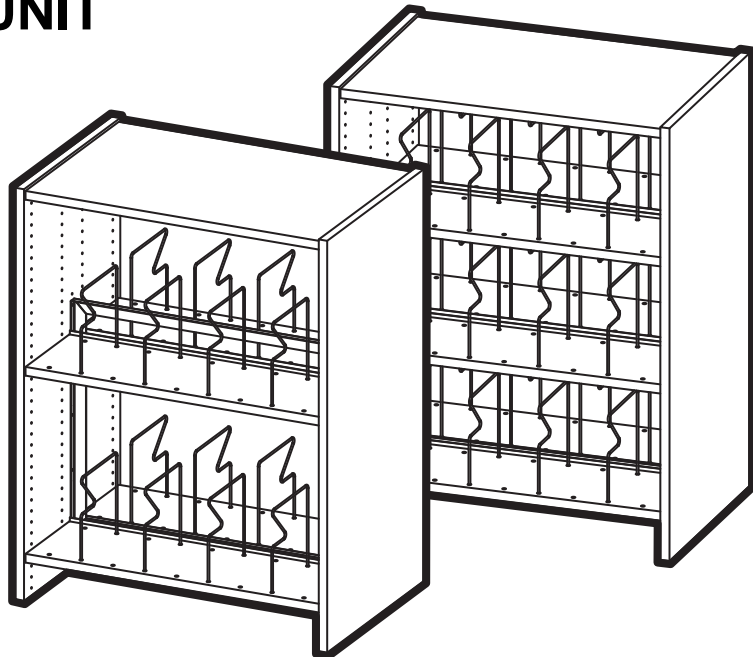


BY  **IRONWOOD**

## PICTURE BOOK SHELVING

# PBS42DB PBS48DB

## DOUBLE BASE UNIT



### IMPORTANT!

Assembly may require the assistance of another person.

Before you begin assembly:

**READ THE DIRECTIONS** all the way through one time. This will speed up the process and help you understand the sequence of steps.

**COUNT THE PARTS AND HARDWARE** before assembly. This ensures you have received all necessary parts before you begin.

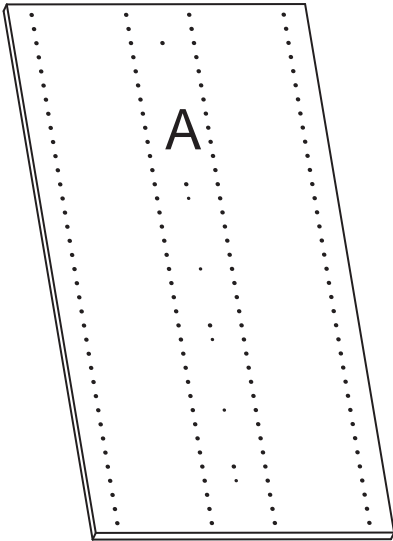
**TOOLS:** You may need a Phillips head screwdriver, a medium slotted screwdriver or a plastic mallet. To protect your new furniture from damage during assembly, it is recommended to work on a carpeted surface.

In the event any parts are missing from this package, send your name, address, telephone number, and a description of the missing part(s) to: PARTS, Box 1420, Missoula, MT 59806 or call: 1-800-769-5693 or FAX 1-800-445-5281.

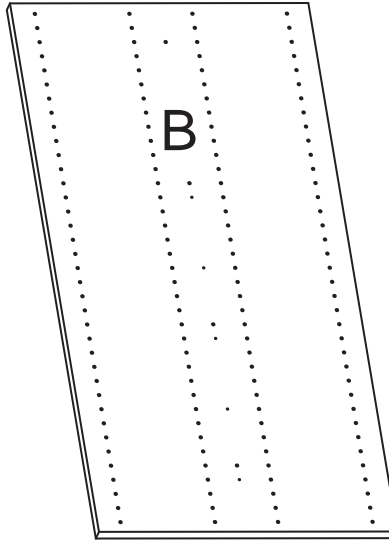
**CAUTION:** On assemblies requiring glue, make sure the unit is assembled correctly before gluing. Once this unit is assembled with glue, the manufacturer will not be responsible for damaged parts. Keep a damp cloth or sponge handy to wipe off excess glue.

To care for this furniture, simply wipe with a cloth dampened with glass cleaner containing ammonia-D.

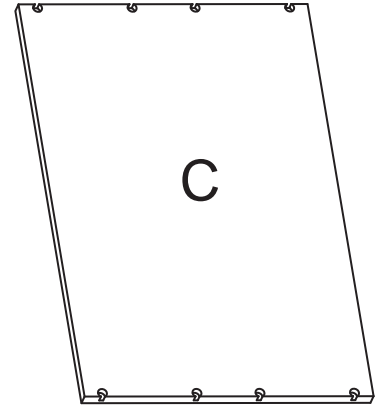
# PARTS & HARDWARE



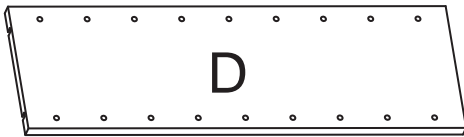
Left Side - PBS42DB	01021141	1 ea.
Left Side - PBS48DB	01021541	1 ea.



Right Side - PBS42DB	01021141	1 ea.
Right Side - PBS48DB	01021541	1 ea.



Top	01021102	1 ea.
-----	----------	-------



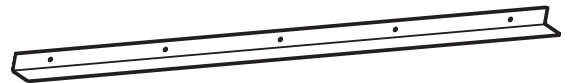
Shelves - PBS42	01024724	4 ea.
Shelves - PBS48		6 ea.



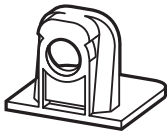
H1	Tab-V Plastic Housing - PBS42	909930	24 ea.
	Tab-V Plastic Housing - PBS48		32 ea.



H3	#8 x 5/8" Panhead Screw - PBS42	988056	30 ea.
	#8 x 5/8" Panhead Screw - PBS48		40 ea.



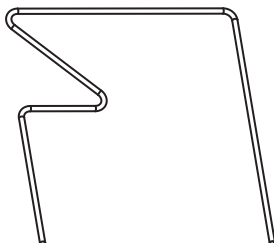
H2	Book Stop - PBS42	412226	4 ea.
	Book Stop - PBS48		6 ea.



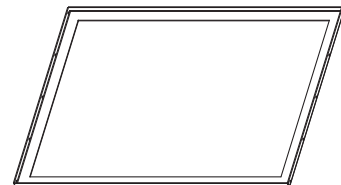
H4	Tab-V Metal Flange	909931	16 ea.
----	--------------------	--------	--------



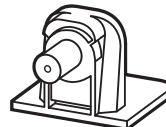
H5	Varianta Bolt	988060	16 ea.
----	---------------	--------	--------



H8	Wire Divider - PBS42	490571	16 ea.
	Wire Divider - PBS48		24 ea.



H6	Metal Frame	412026	1 ea.
----	-------------	--------	-------



H7	Tab-V Metal Shelf Clip - PBS42	909932	8 ea.
	Tab-V Metal Shelf Clip - PBS48		16 ea.

If you have purchased an Adder unit  
to be assembled in conjunction with this Base unit,

it is important to read all the way through the Adder instructions  
(enclosed in the Adder carton) before beginning. It will be necessary to  
substitute a Divider (J) for a Right Side (B) during assembly.

If you have purchased the Back option or the Toe Space option  
to be assembled in conjunction with this Base unit,

it is important to read through the Back option  
and/or Toe Space option directions before beginning.

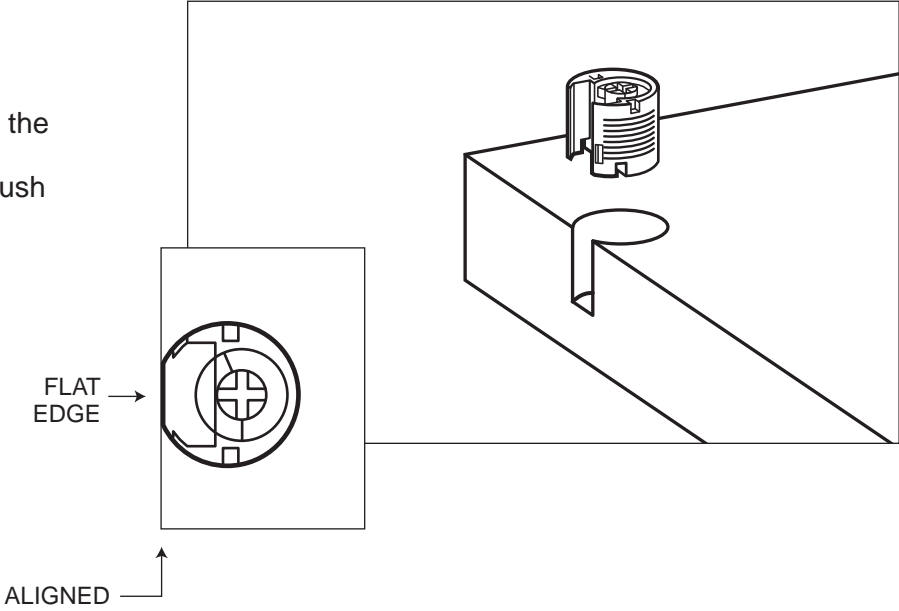
**NOTE:**

**The diagrams show one size for ease of viewing.  
Any differences will be indicated in each step's text.**

# USING THE TAB-V SYSTEM:

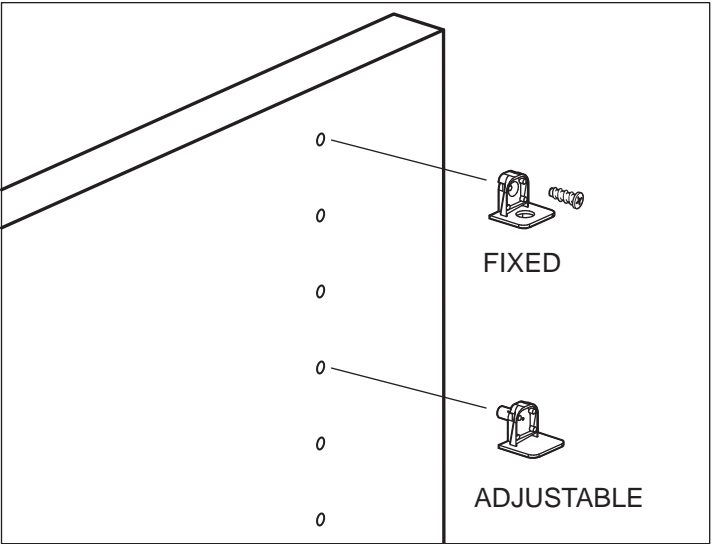
Using a plastic mallet, tap in the plastic housings with the flat edge facing outwards until flush with the surface.

**IMPORTANT!** The flat edge of the plastic housing must be aligned with the shelf edge. Plastic Housings cannot be repositioned once installed.



For a Fixed Shelf or Top, install the metal flange using a System (Varianta) Screw as shown. **DO NOT** over tighten!

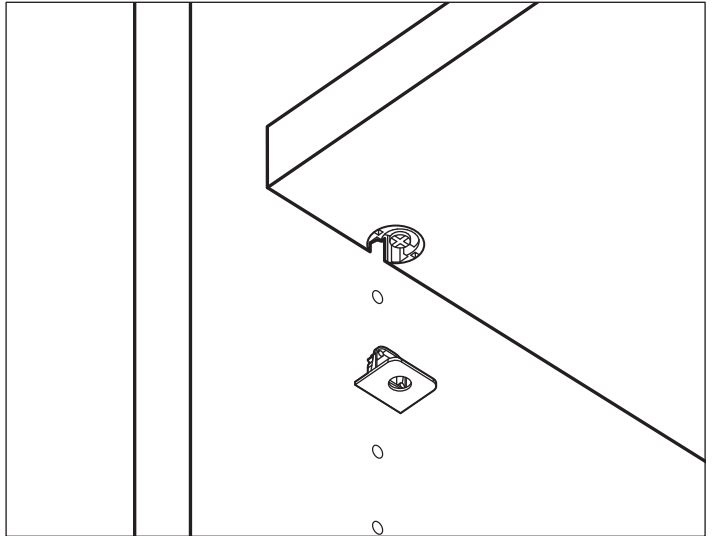
For an Adjustable Shelf, use the Metal Shelf Clip.



Slide the shelf into place over the Metal Flanges and push down until fully seated.

Turn the rotating portion (Cam) 1/2 turn to lock in place.

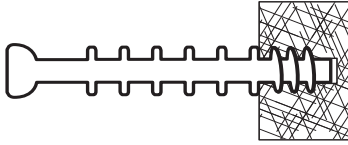
To remove, simply turn the Cam counter clockwise 1/2 turn and lift the shelf off of the Metal Flanges.



### Using the Minifix System:

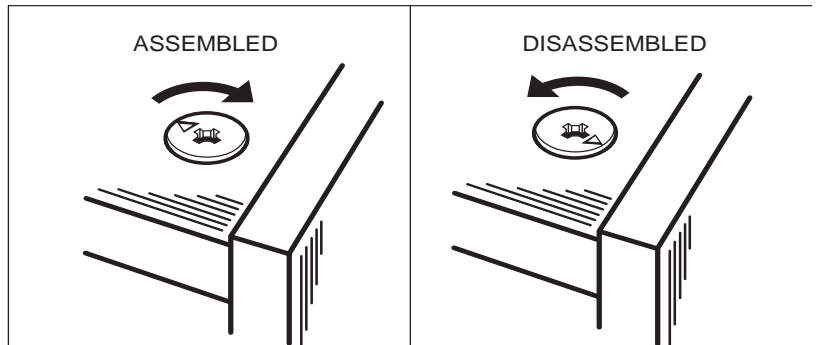
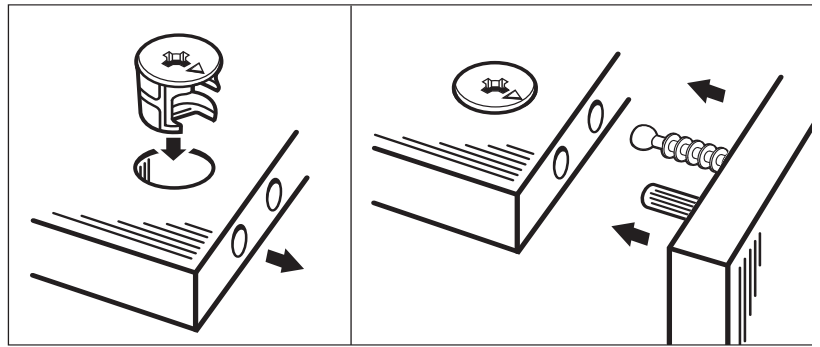
Insert the Minifix Cams into the appropriate holes with the arrow facing outwards as shown.

When screwing post into hole, **Do Not** over tighten. Screw post down until bottom face of post flange just touches board surface.



Using the #2 Phillips screwdriver, rotate the Cam Devices a half turn clockwise until snug.

To disassemble, turn the Cam Devices counter-clockwise and remove panels.

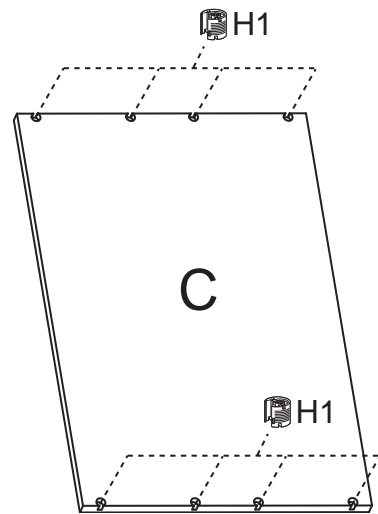
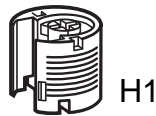


## #1

Refer to "**Using the Tab-V System**" on the previous page.

Insert eight Tab-V Plastic Housings (H1) into the Top (C) so that the flat edge is facing outwards. Using a plastic mallet, tap the housings until flush with the surface.

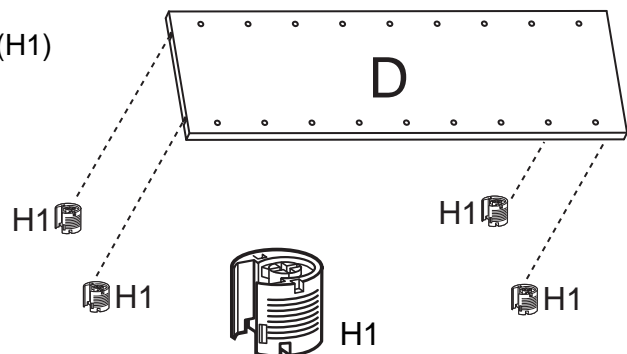
**The flat edge of the plastic housing must be aligned with shelf edge. Plastic housings cannot be repositioned once installed.**



## #2

**42" Unit:** Insert 16 Tab-V Plastic Housings (H1) into all four Shelves (D). Refer to Step #1.

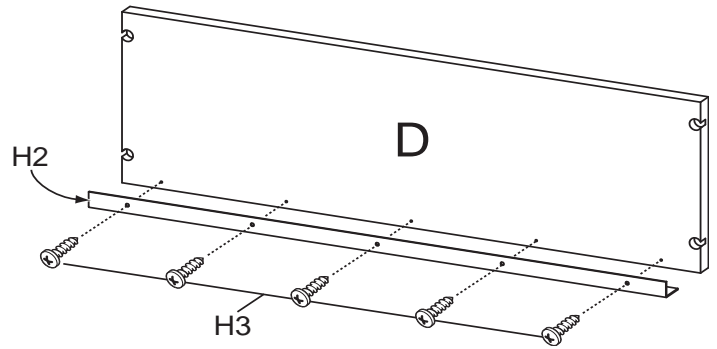
**48" Unit:** Insert 24 Tab-V Plastic Housings (H1) into all four Shelves (D). Refer to Step #1.



**#3**

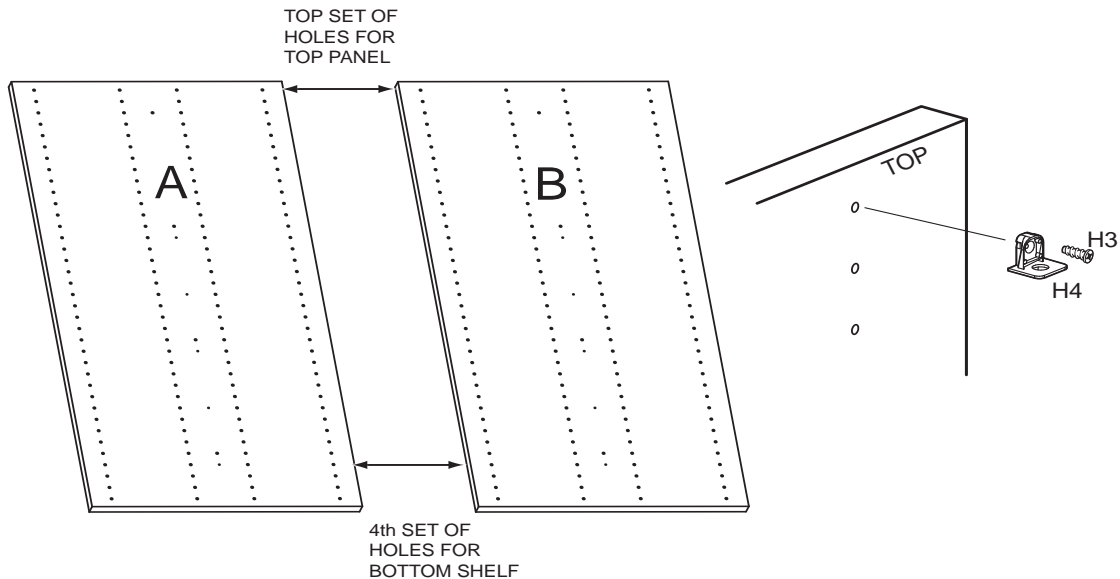
Attach a Book Stop (H2) to all Shelves (D) using Panhead Screws (H3) in the pre-drilled holes of each shelf.

***If you will be installing the Back Option to this unit, do not attach the Book Stop.***



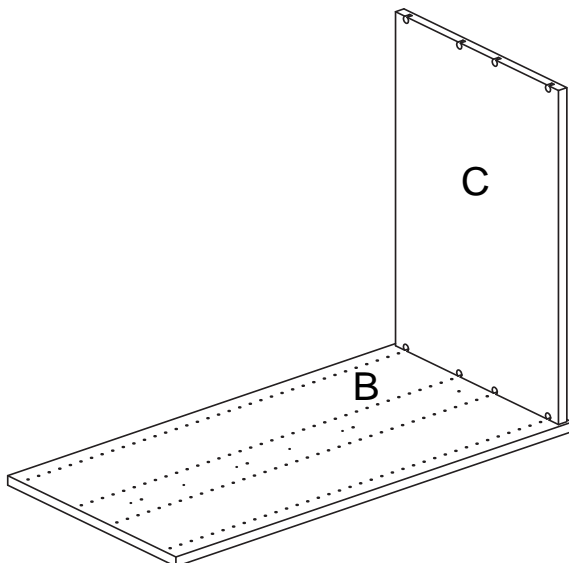
**#4**

Place the Side Panels (A & B) on a clean, carpeted surface as shown. Install 16 Tab-V Metal Flanges (H4) using 16 Varianta Screws (H5) into both panels as shown below.



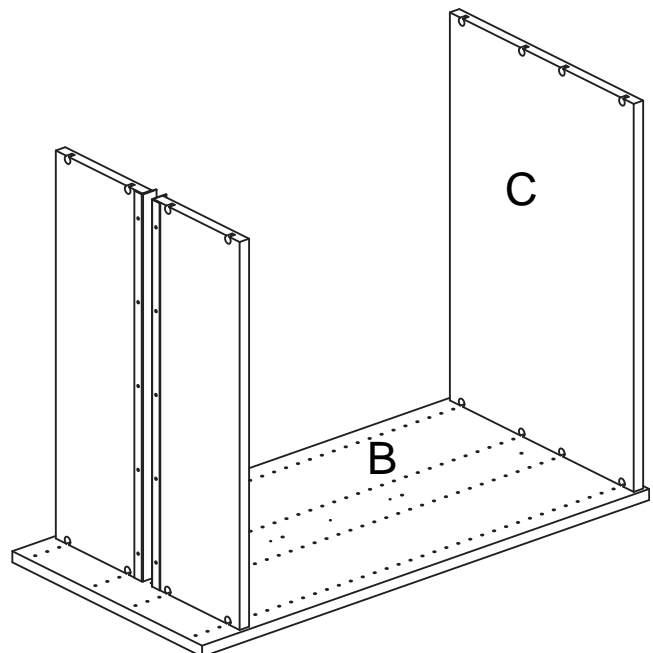
**#5**

Place the Right Side Panel (B) with the pre-drill holes facing up. Slide the Top (C) onto the uppermost set of Metal Flanges (H4). Press the Top down until the Plastic Housings (H1) in the top are fully seated on the Metal Flanges (H4) in the side. Turn the rotating portion of the plastic housing 1/2 turn to lock in place.



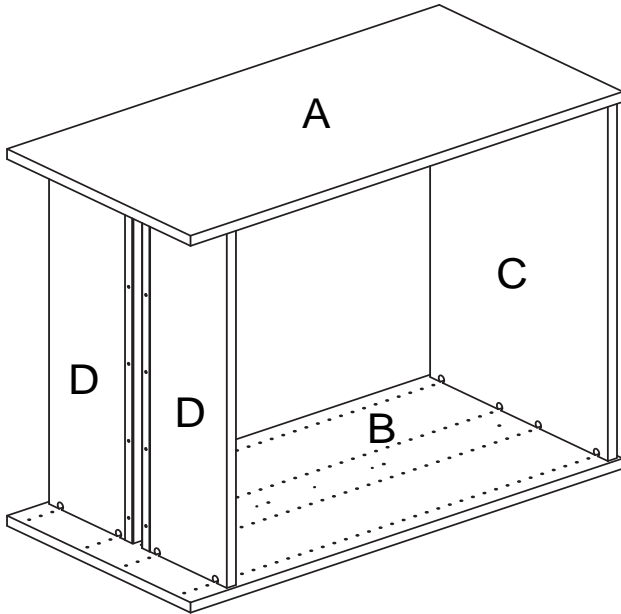
**#6**

Repeat Step #7 for the Bottom (fixed) Shelves (D), using the bottom set of Metal Flanges (H4) in the Right Side Panel (B).



**#7**

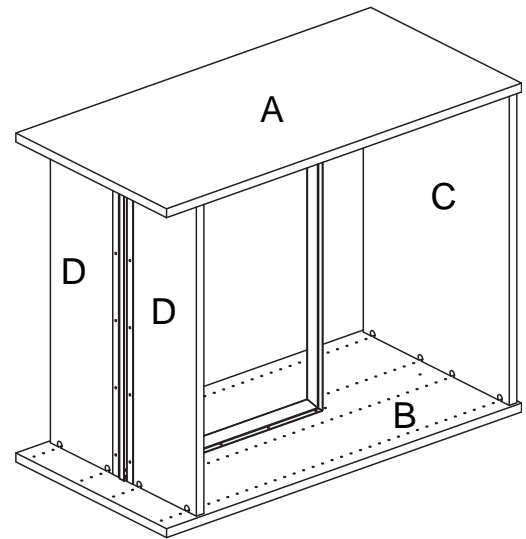
Position the Left Side Panel (A) onto the Top (C) and the Bottom Shelves (D). Press the Shelves down so the Plastic Housings (H1) of the shelves are fully seated on the Metal Flanges (H4) of the Left Side. Turn the rotating portion of the plastic housing 1/2 turn to lock in place.

**#8**

Attach the Metal Frame (H6) to the Right Side Panel (B) and the Left Side Panel (A) using ten Panhead Screws (H3) in the pre-drilled holes.

***Make sure the holes of the Metal Frame are positioned as shown.***

**If you are installing the Back Option, DO NOT attach the Metal Frame at this time. Follow the directions provided with the Back Option.**



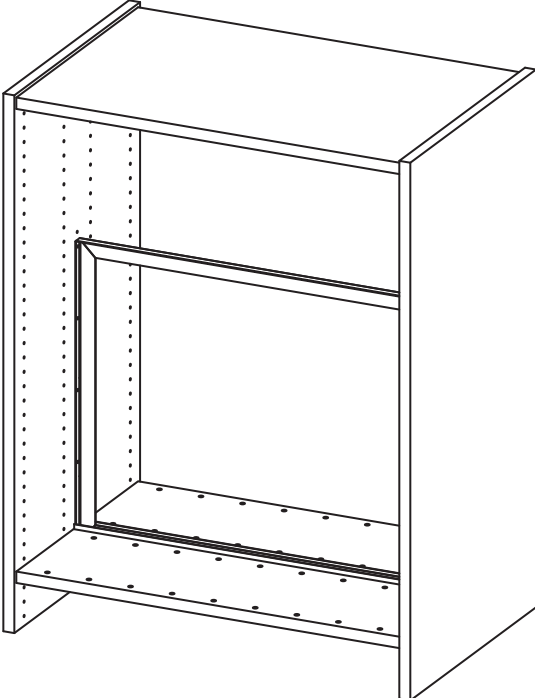
**IMPORTANT! If you have purchased the Toe Space option for this unit, it is recommended to install the Toe Space at this time.**

**Follow the directions included with the Toe Space option.**

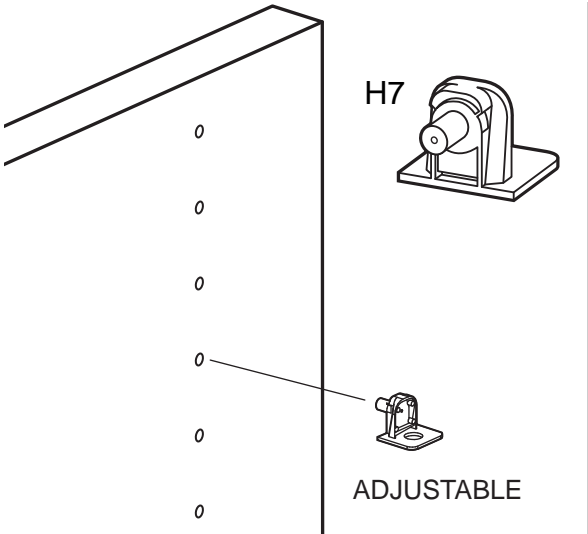
**#9**

With the assistance of another person, turn the unit upright.

**42" Unit:** Placement of the Middle (adjustable) Shelves (D) is optional. Placement at about halfway up is recommended. Push 8 Tab-V Shelf Pins (H7) into the Left Side Panel (A) and the Right Side Panel (B) at the preferred height.

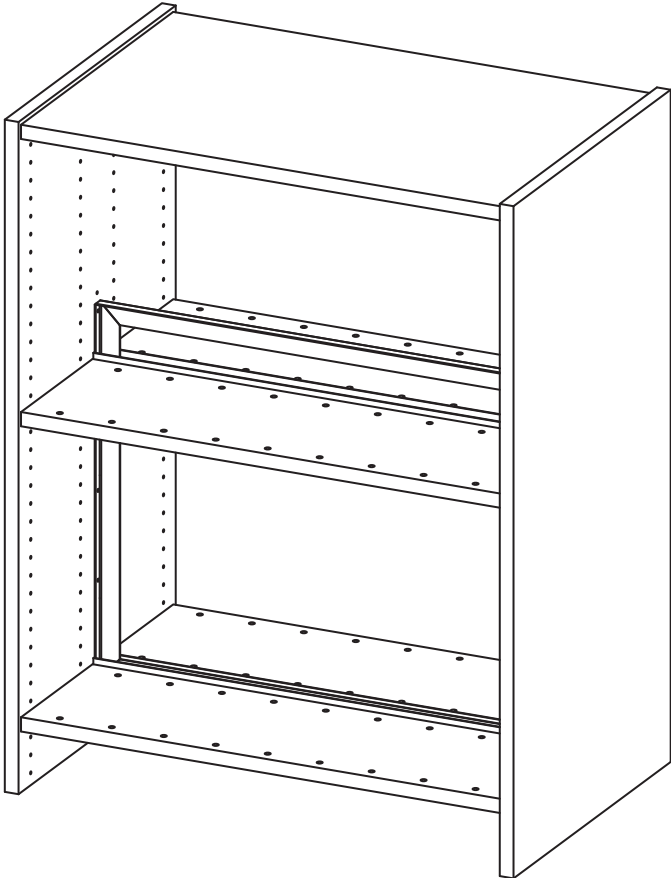


**48" Unit:** Placement of the Shelves (D) is optional. Allow room between shelves to accommodate the Wire Dividers. Push 16 Tab-V Shelf Pins (H7) into the Left Side Panel (A) and the Right Side Panel (B) at the preferred height.



**#10**

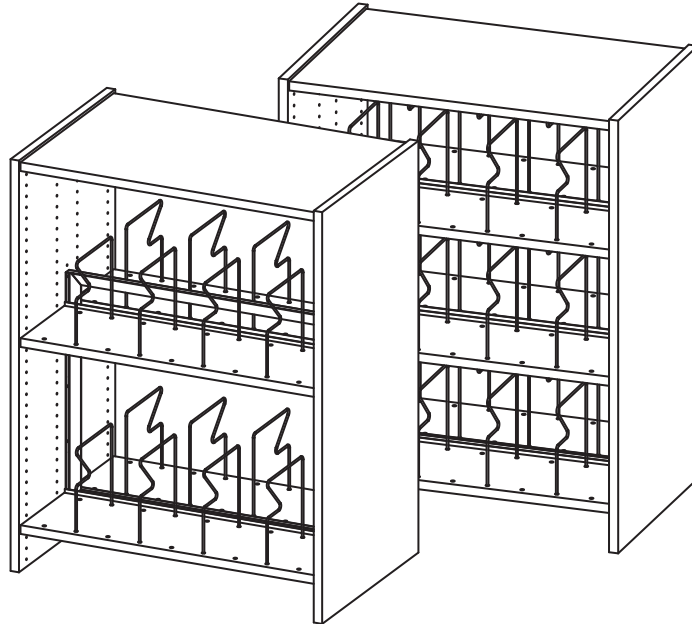
Place the Middle Shelves (D) into the unit and onto the Tab-V Shelf Pins (H7). Turn the rotating portion of the Plastic Housings (H1) to secure in place.





**#11**

Insert the Divider Wires (H8) into the pre-drilled holes of the upper surface of the Shelves (D) shown.



**Your Glacier Picture Book Shelving unit is now fully assembled and ready for use.**