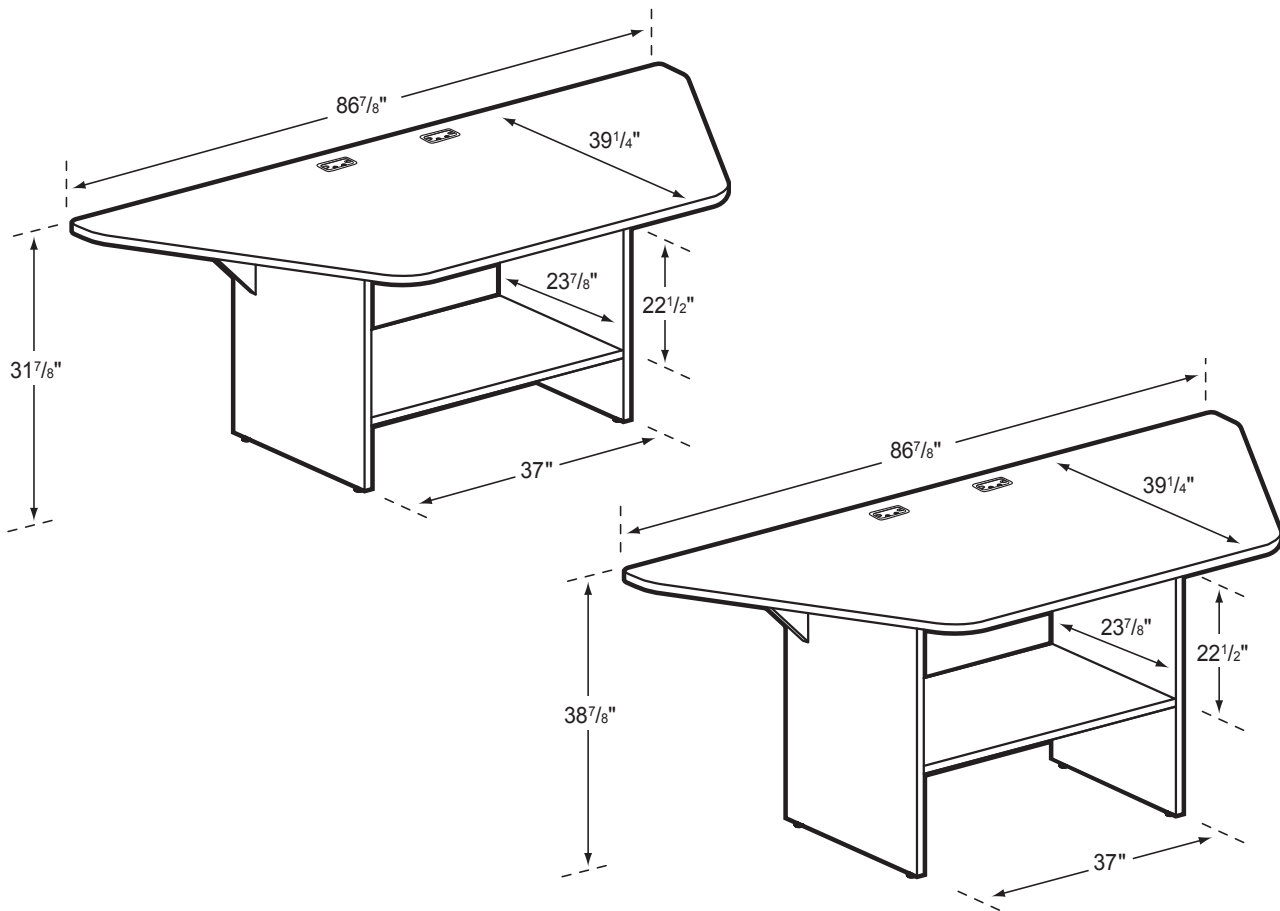


HHW32-39

Half Hexagon Workstations



Product Specs

- 1" thermal fused laminate top and sides
- $\frac{3}{4}$ " supports and kicks
- Cam and post construction
- Matched edge banding
- Fixed storage shelf
- Two - 2"x 4" grommets with covers
- Adjustable leveling glides