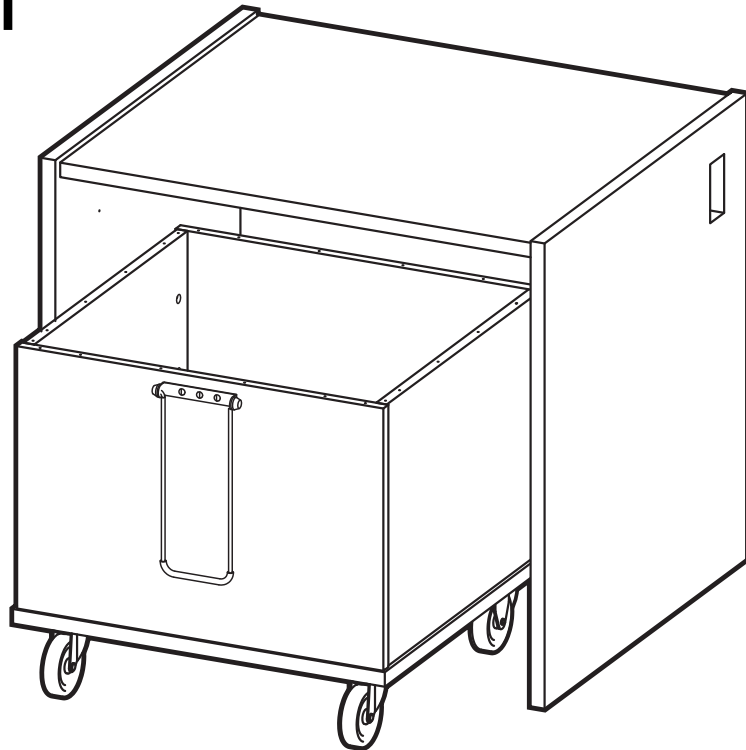




BY  **IRONWOOD**

CDBR CDBR39

CORNER UNIT



IMPORTANT!

Assembly may require the assistance of another person.

Before you begin assembly:

READ THE DIRECTIONS all the way through one time. This will speed up the process and help you understand the sequence of steps.

COUNT THE PARTS AND HARDWARE before assembly. This ensures you have received all necessary parts before you begin.

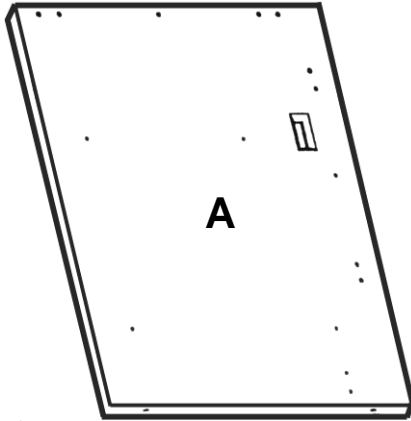
TOOLS: You may need a Phillips head screwdriver, a medium slotted screwdriver or a plastic mallet. To protect your new furniture from damage during assembly, it is recommended to work on a carpeted surface.

In the event any parts are missing from this package, send your name, address, telephone number, and a description of the missing part(s) to: **PARTS, Box 1420, Missoula, MT 59806** or call: **1-800-769-5693** or **FAX 1-800-445-5281**.

CAUTION: On assemblies requiring glue, make sure the unit is assembled correctly before gluing. Once this unit is assembled with glue, the manufacturer will not be responsible for damaged parts. Keep a damp cloth or sponge handy to wipe off excess glue.

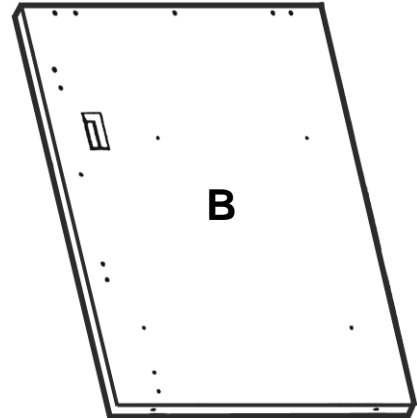
To care for this furniture, simply wipe with a cloth dampened with glass cleaner containing ammonia-D.

PARTS DIAGRAM



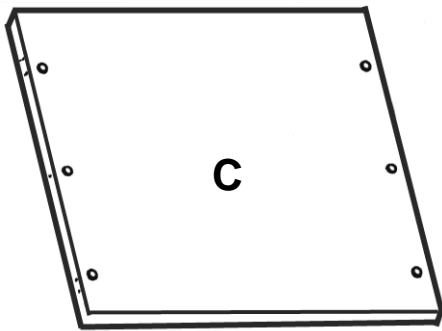
A

Left Side - CDBR	01010741	1 ea.
Left Side - CDBR39	01010842	1 ea.



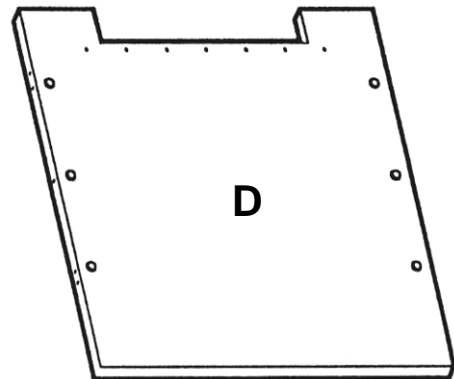
B

Right Side - CDBR	01010741	1 ea.
Right Side - CDBR39	01010843	1 ea.



C

Top	01010701	1 ea.
-----	----------	-------



D

Back - CDBR	01010752	1 ea.
Back - CDBR39	01010852	1 ea.

E



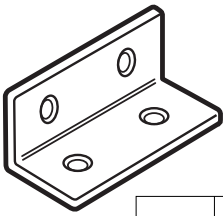
Bottom	01010711	1 ea.
--------	----------	-------

F



Toeboard	01010172	1 ea.
----------	----------	-------

HARDWARE



H1	Corner Bracket	411172	2 ea.
----	----------------	--------	-------



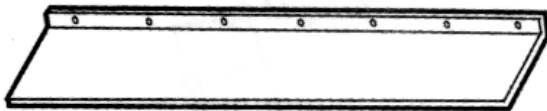
H2	#14 x 1/2" Panhead Screw	901233	8 ea.
----	-----------------------------	--------	-------



H3	Confirmat Screw	950100	3 ea.
----	--------------------	--------	-------



H4	Minifix Cam	909810	12 ea.
----	-------------	--------	--------



H5	Book Baffle	412370	1 ea.
----	-------------	--------	-------



H6	#8 x 5/8" Panhead Screw	988056	7 ea.
----	----------------------------	--------	-------



H8	Leveler	300870	4 ea.
----	---------	--------	-------



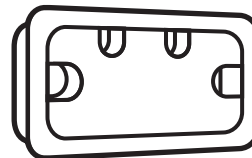
H7	Leveler Insert	274650	4 ea.
----	----------------	--------	-------



H10	Dowel	195000	8 ea.
-----	-------	--------	-------



H9	Minifix Bolt	909834	12 ea.
----	--------------	--------	--------



H11	Grommet	286580	2 ea.
-----	---------	--------	-------

Hardware for Attaching to Another Unit



H13	Connector Screw	901350	4 ea.
-----	--------------------	--------	-------

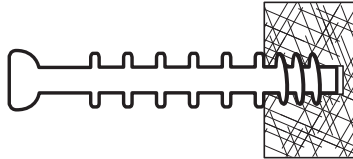


H12	Connector Sleeve	950200	4 ea.
-----	------------------	--------	-------

Using the Minifix System:

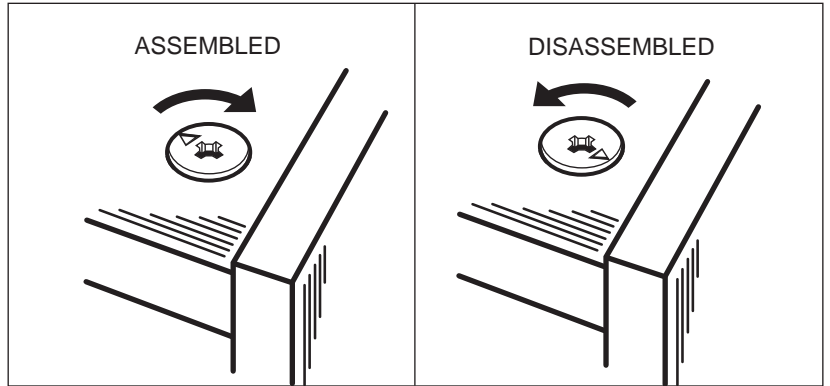
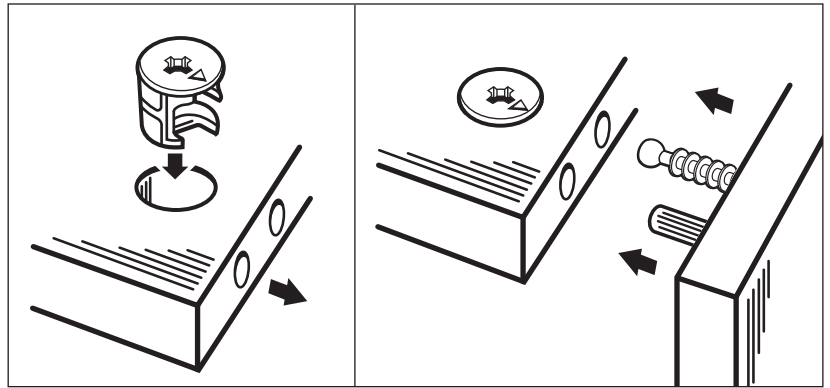
Insert the Minifix Cams into the appropriate holes with the arrow facing outwards as shown.

When screwing post into hole, **Do Not** over tighten. Screw post down until bottom face of post flange just touches board surface.



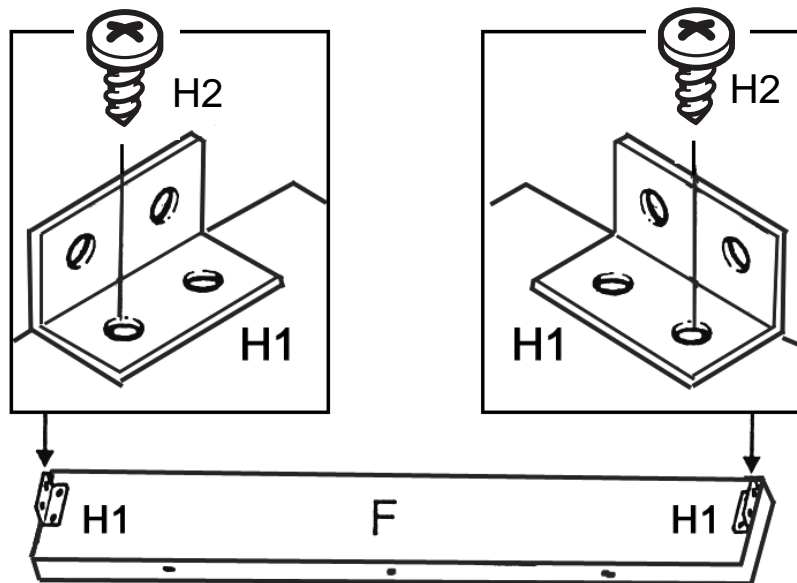
Using the #2 Phillips screwdriver, rotate the Cam Devices a half turn clockwise until snug.

To disassemble, turn the Cam Devices counter-clockwise and remove panels.



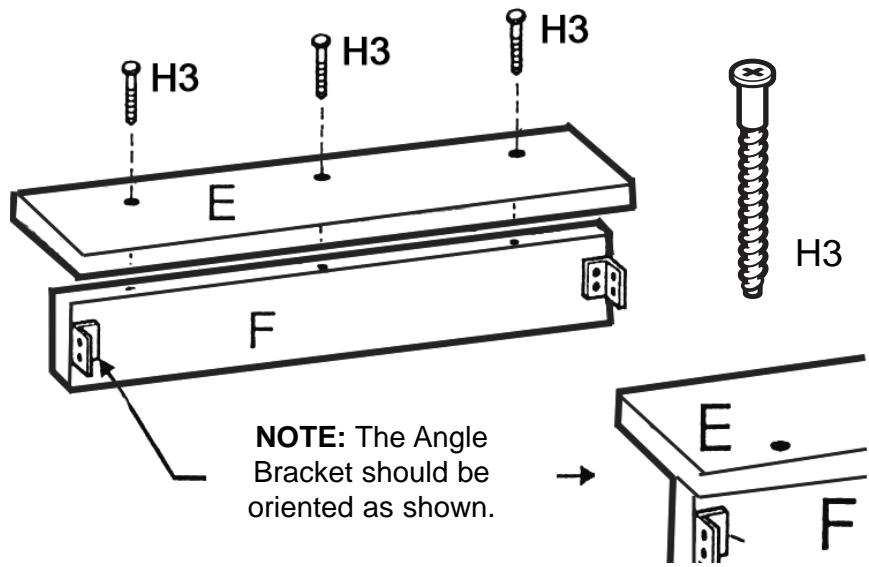
#1

Secure an Angle Bracket (H1) to each end of the Toeboard (F) using four #14x1/2" Panhead Screws (H2).



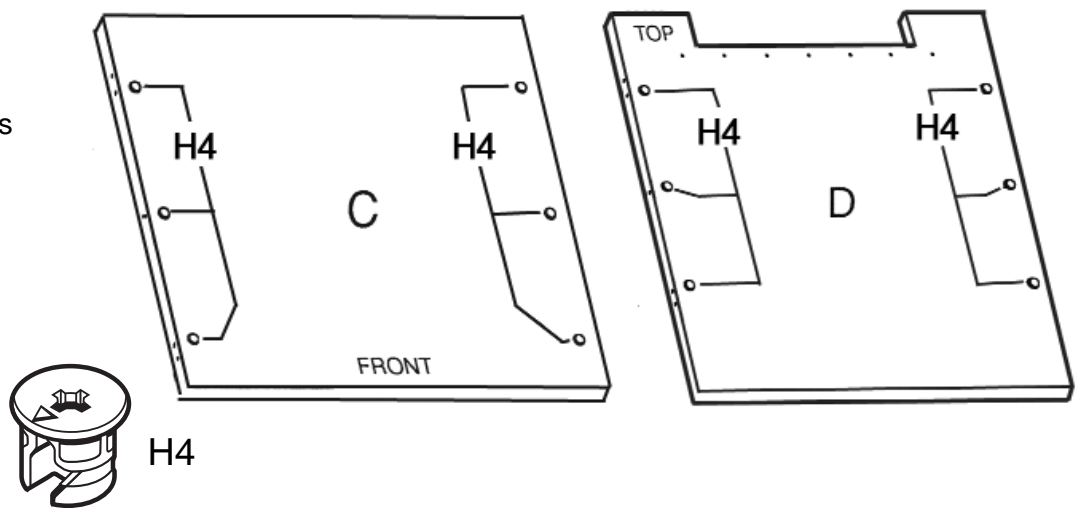
#2

Attach the Toeboard (F) to the Bottom (E) using three Confirmat Screws (H3) through the pre-drilled holes as shown.



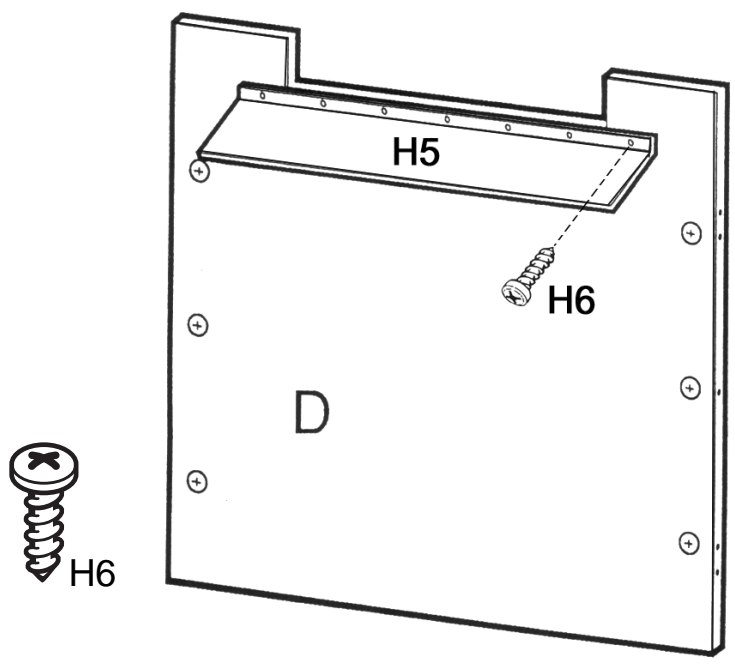
#3

Insert six Minifix Cams (H4) into the Top (C) and Back (D) with the arrows of the cams facing out.



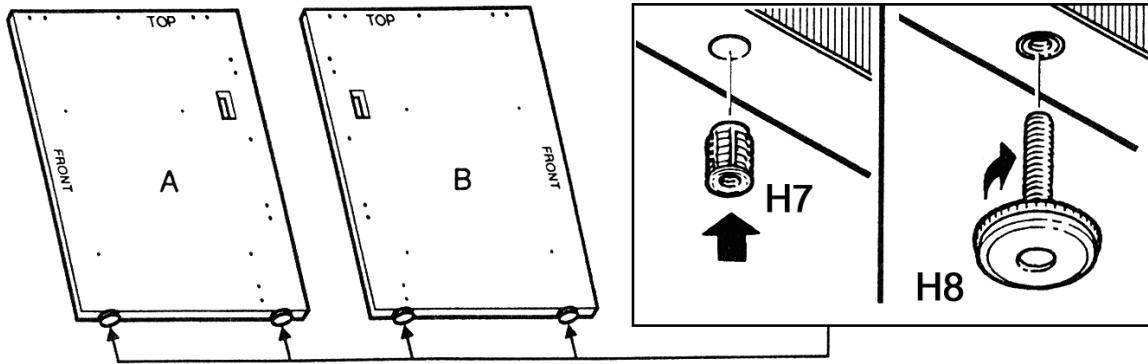
#4

Attach the Book Baffle (H5) to the Back (D) using seven #8 x 5/8" Panhead Screws (H6) in the pre-drilled holes as shown.



#5

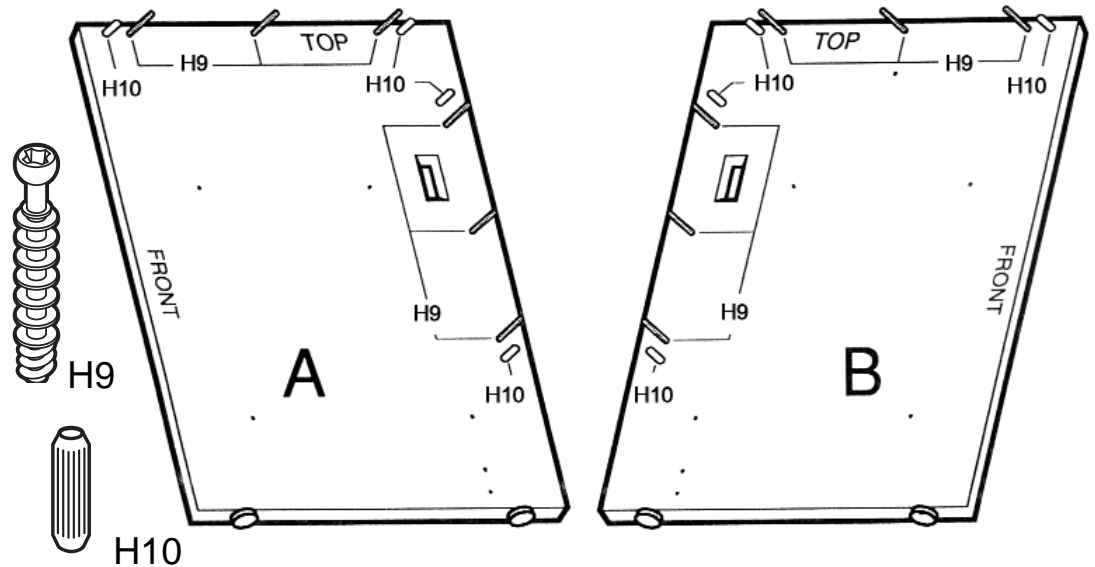
Insert the Leveler Inserts (H7) into the holes in the bottom edges of each Side. Using a plastic mallet, tap until flush with the surface. Screw the Levelers (H8) into the Leveler Inserts. **Adjust Levelers when the assembled unit is in place.**



#6

Screw six Minifix Bolts (H9) into each Side (A & B) where indicated.

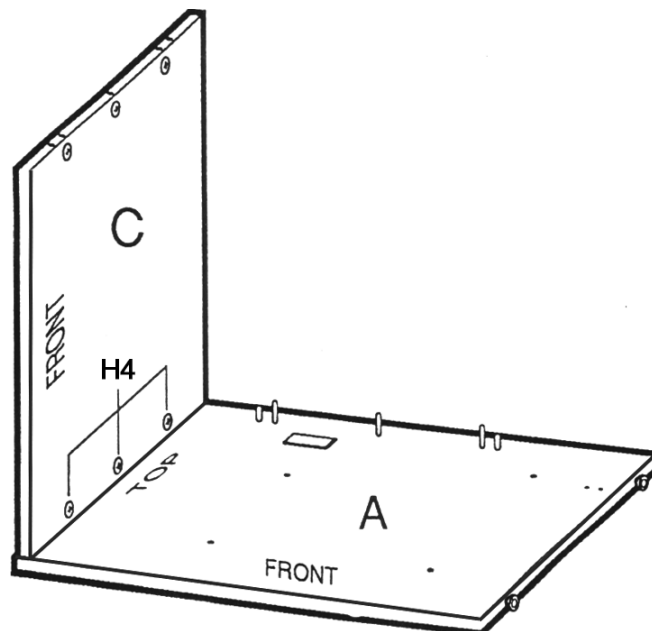
Insert four Dowels (H10) into each side (A & B) where indicated.



#7

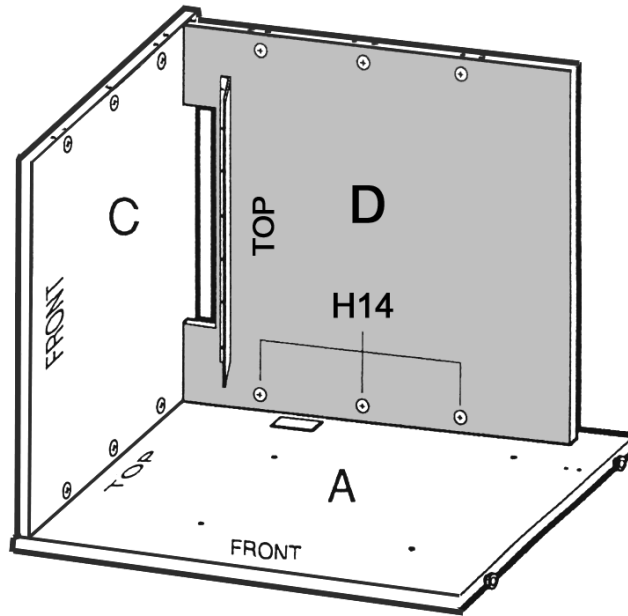
Place the Left Side (A) with the bolts and dowels facing up as shown. Position the Top (C) onto the Left Side and turn cams (H4) clockwise to secure.

Note: Make sure the front edges are located as shown.



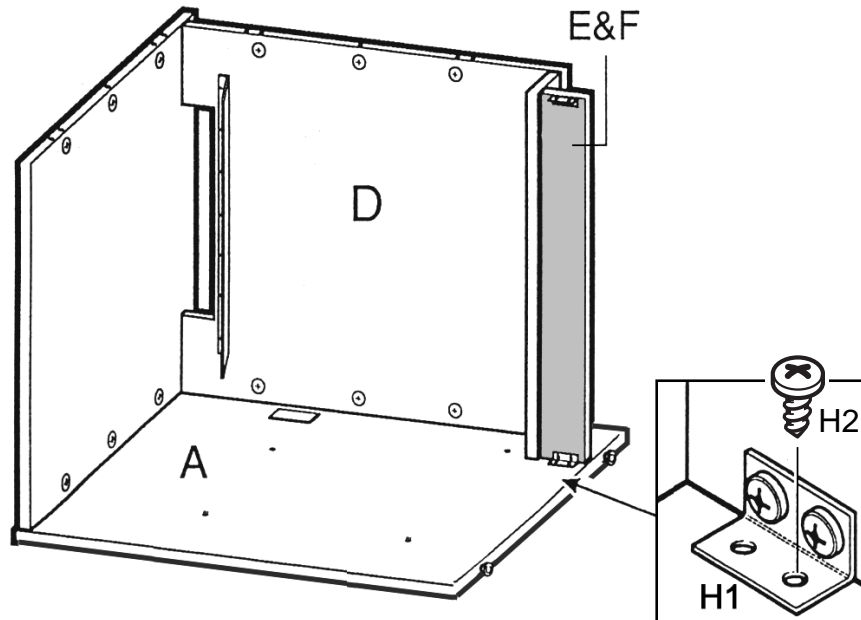
#8

Position the Back (D) onto the Left Side (A) and turn the cams (H4) clockwise to secure.



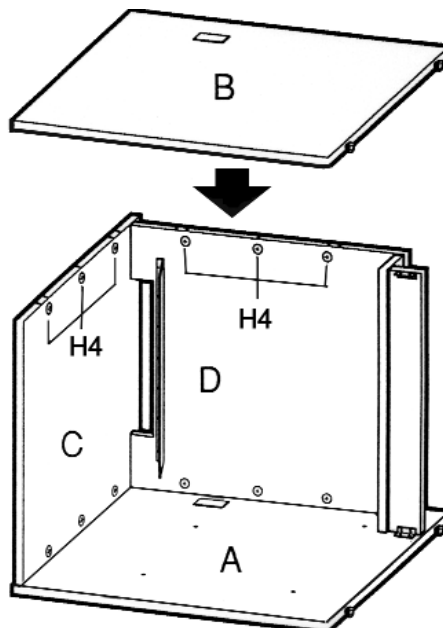
#9

Position the Bottom and Toeboard (E & F) onto the Left Side (A). Secure in place using two #14x½" Panhead Screws (H2) through the Angle Bracket (H1) into the pre-drilled holes of the Left Side (A).



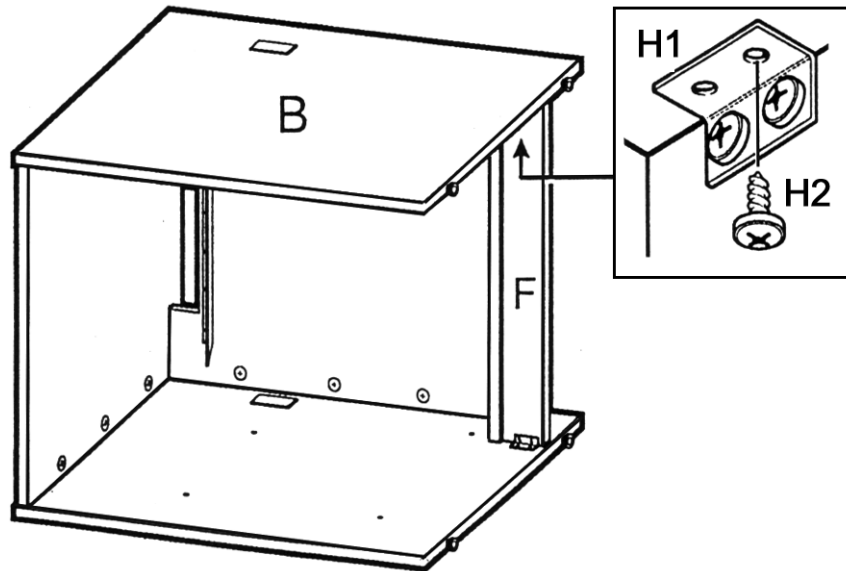
#10

Position the bolts and dowels of the Right Side (B) onto the unit and turn the cams (H4) clockwise to lock in place.



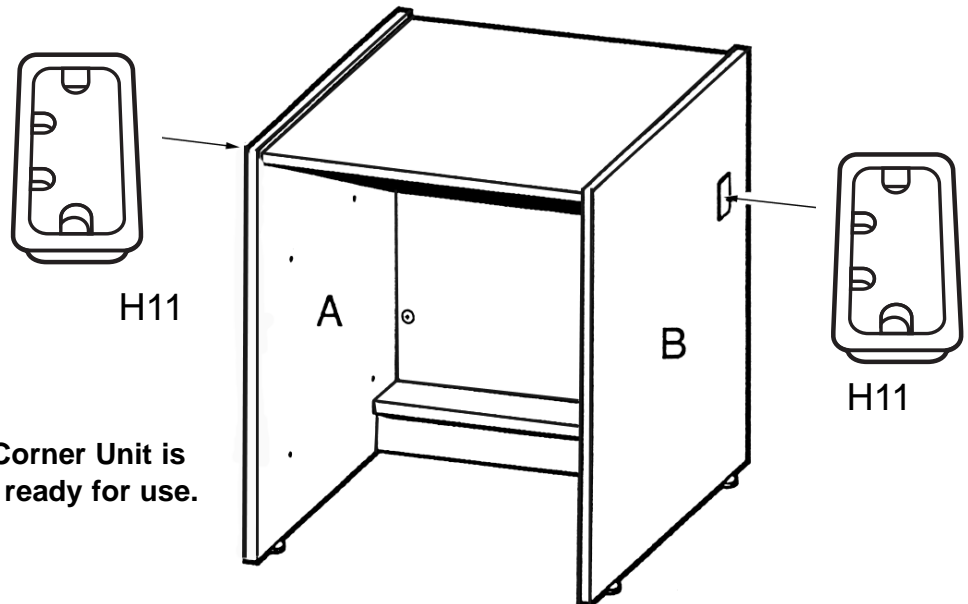
#11

Secure the other Angle Bracket (H1) of the Toeboard (F) to the Right Side (B) using #14x½" Panhead Screws (H2).



#12

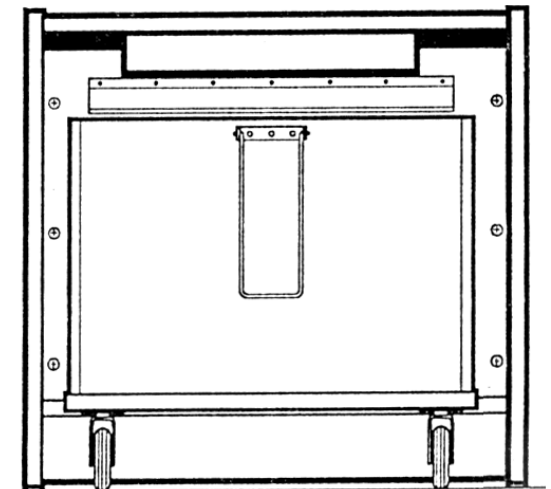
With the assistance of another person, turn the unit upright. Insert Grommets (H11) into the Left Side (A) and Right Side (B) as shown.



Your Glacier Circulation Corner Unit is now fully assembled and ready for use.

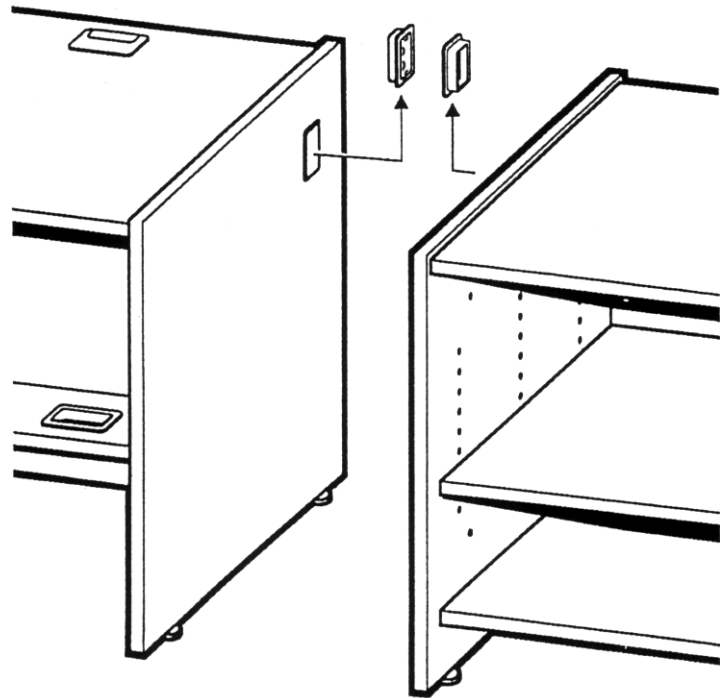
#13

When placing the Book Cart into the Book Return unit, leave equal spacing between sides and push the cart all the way in and under the book baffle.



CONNECTING TO OTHER CIRCULATION DESK UNITS:

Remove Grommets from the panels to be connected.



Using a 13/64" bit, drill through the four pilot holes on the inside of each side panel.

Align the side panels of the units to be connected. Tap four Connector Sleeves (H12) through the holes in one side panel and into the holes of the unit to be connected. From the other side, secure the units together using four Connector Screws (H13).

