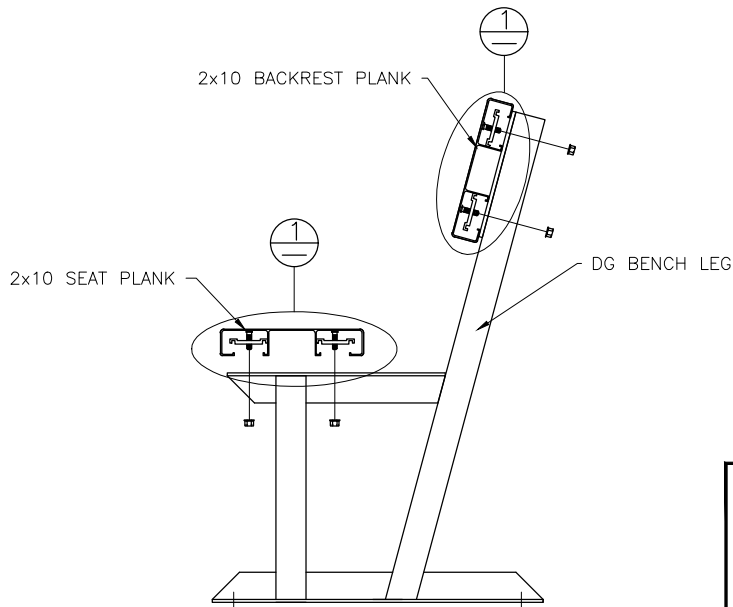
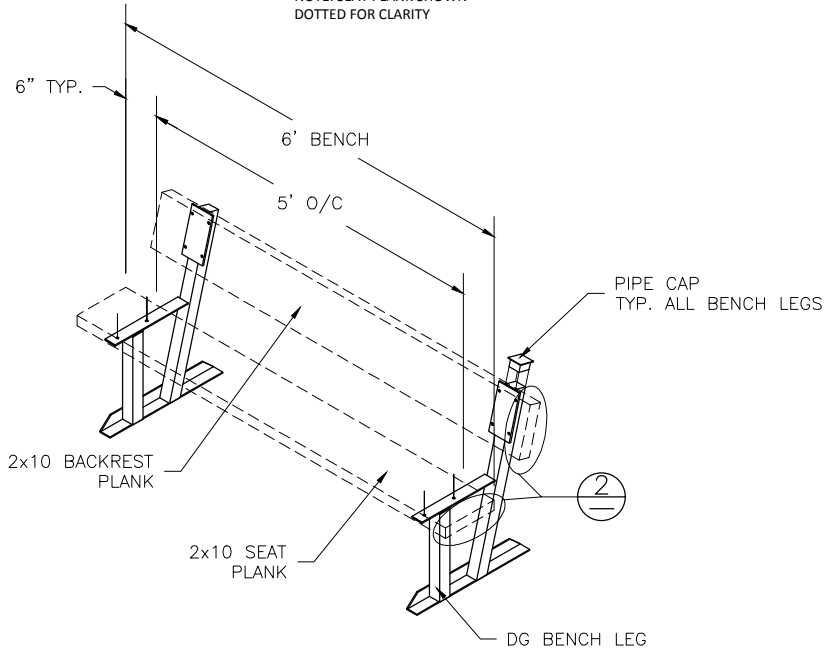


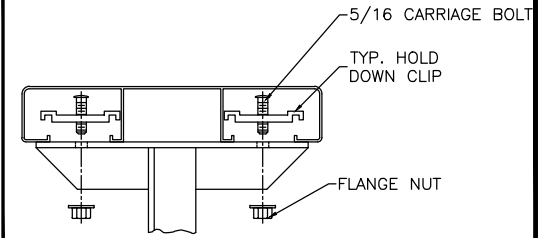
BENCH ASSEMBLY

NOTE: SEAT PLANK SHOWN
DOTTED FOR CLARITY



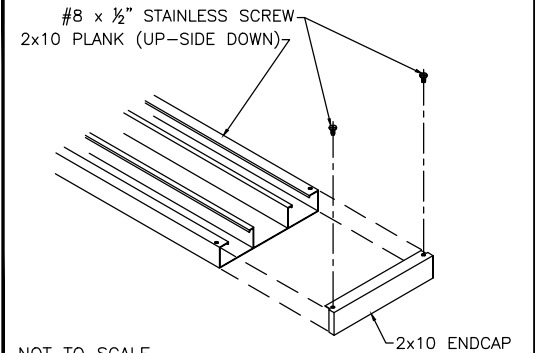
SEE DETAILS 3 & 4 FOR ANCHORING OPTIONS

TYP 2x10 PLANK ATTACHMENT



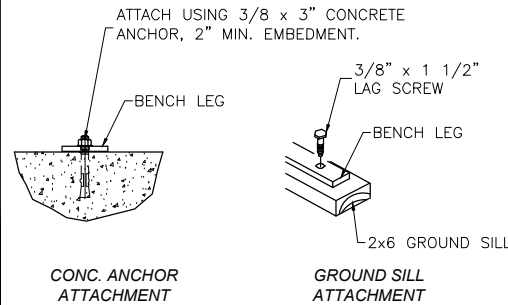
NOT TO SCALE

TYP 2x10 ENDCAP ATTACHMENT



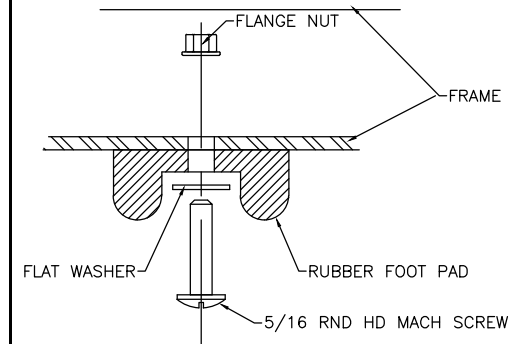
NOT TO SCALE

TYP ANCHORING DETAIL



NOT TO SCALE

RUBBER FOOT PAD ATTACH. DETAIL



This drawing and all information contained herein is the property of NATIONAL RECREATION SYSTEMS, INC. and is not to be reproduced without express written permission of this manufacturer. We assume no responsibility for unauthorized use of this drawing. National Recreation Systems, Inc. is not responsible for local permits and occupancy requirements.

National Recreation Systems, Inc.

1300-D NORTH AIRPORT OFFICE PARK FORT WAYNE, IN 46825

SCALE: N.T.S.	APPROVED BY:	DRAWN BY: JML
DATE: 08/01/2016		
TITLE: DG PORTABLE BENCH W/BACK, 6'-0" LONG		
CUSTOMER:		DRAWING NUMBER: BE-DG00600