

MVP GROUP CORPORATION
www.mvpgroupcorp.com





MVP GROUP CORPORATION

5659 Royalmount Ave. Montreal, QC, Canada
H4P 2P9

Telephone: (514) 737-9701

Toll Free Telephone: (888) 275-4538

Fax: (514) 342-3854 Toll Free Fax: (877) 453-8832

Email: sales@mvpgroupcorp.com Website:

www.mvpgroupcorp.com

12000 Biscayne Blvd. Ste

108 Miami, FL 33181

Telephone (786) 600-4687

Toll Free 1-844-218-8477

Fax (786) 661-4100

This page has been left blank intentionally.

INDEX

1 General information	5
1.1 Case description	5
2 Getting started with your KBD series	18
2.1 Location	18
2.2 Uncrating	19
2.3 Check for damage	19
2.4 Control panel and main features	20
2.5 Check serial, model numbers and requested options	21
2.6 Warning/Caution labels	22
2.7 Check your electrical installation	26
2.8 Electrical, drain and refrigeration connections (remote only)	26
2.9 Joining	27
2.10 Plugging and start	35
3 Refrigeration	36
3.1 Self contained refrigeration equipment and defrost	36
3.2 Refrigeration loads (remotes only)	38
4 Electrical	38
4.1. Electrical specifications data	38
4.2. Electrical service receptacles (optional)	39
4.3. Electrical diagrams	40
4.4. Electronic controller	48
5 Maintenance	51
5.1 Cleaning	51
5.2 Shelf removing/adjustment	52
5.3 Sliding doors removal	53
5.4 Light substitution	53
5.5 Panels and protection grille removal	54
5.6 Condenser cleaning	55
5.7 Evaporator cleaning	56
5.8 Evap Pan cleaning	57
5.9 Drain inspection	58
6 Troubleshooting/Service	58
6.1 Troubleshooting	58
6.2 Service	60
7 Warranty	62
8 Notes	63
Annex-A Dry KBD-Series	64

This page has been left blank intentionally.

This page has been left blank intentionally.

This page has been left blank intentionally.

1 General information

1.1 Case description

KBD series model (number) system.

KBD CG 40 S
AAA BB CC D

AAA	BB	CC	D
Basic model	Model variation	Length	Type of Unit.
	CG -Curved Glass	40"	S -Self Contained
	FG -Front Glass	50"	R -Remote
		60"	D -Dry

This page has been left blank intentionally.

4. Maintenance

4.1 Cleaning

4.2 Interior cleaning

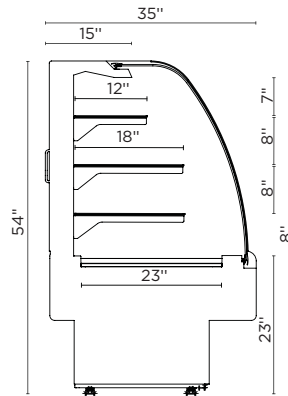
4.3 Shelf removing/ adjustment

4.4 Sliding doors removal

4.5 Light substitution

4.6 Panels and protection grille removal

KBD SERIES



KBD-CG-XX-S(R)(D)



KBD-CG-40-S(R)(D)

N^o

Discription

- 9 | Terminal block
- 12 | Evaporator fan
- 20 | Light switch
- 21 | Pilot light
- 22 | Switch
- 29 | Transformer
- 30 | Led lighting



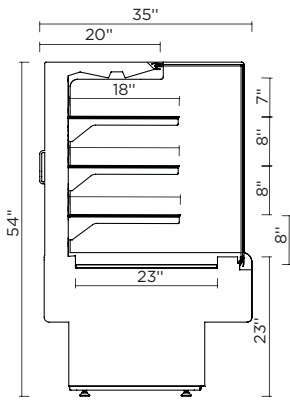
51¹/₈"
KBD-CG-50-S(R)(D)



59"
KBD-CG-60-S(R)(D)



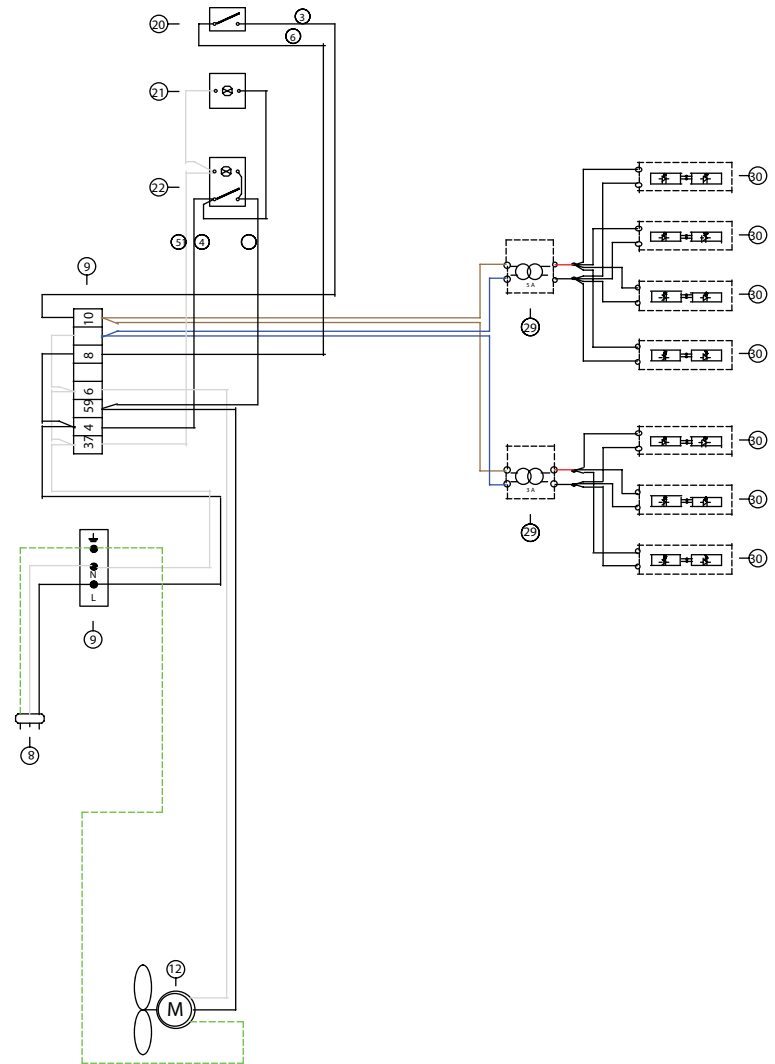
78³/₄"
KBD-CG-80-S(R)(D)



KBD-FG-XX-S(R)(D)



KBD-FG-40-S(R)(D)



N ^o	Discription	Number for length		
		40 Inch	50 Inch	60 Inch
9	Terminal block	1	1	1
12	Evaporator fan	2	3	3
20	Light switch	1	1	1
21	Pilot light	1	1	1
22	Switch	1	1	1
29	Transformer	1	1	1
30	Led lighting	4	4	4



51¹/₈"
KBD-FG-50-S(R)(D)






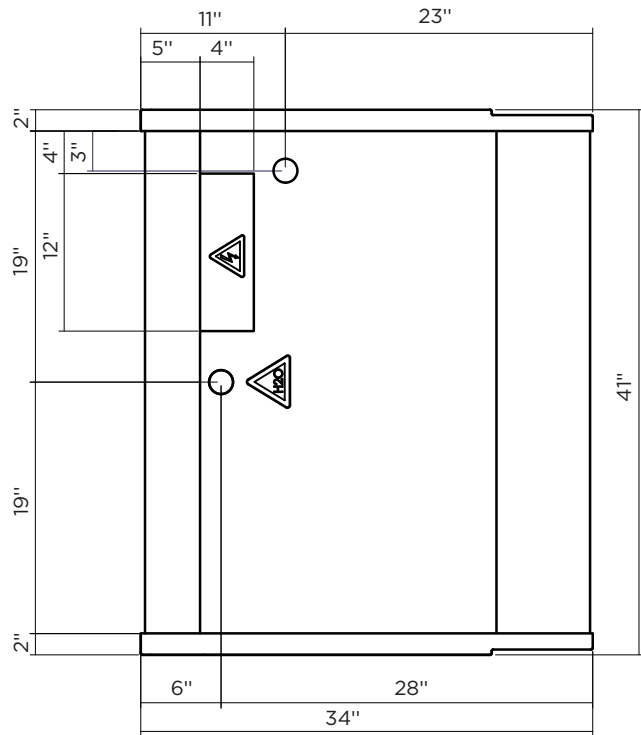
59"
KBD-FG-60-S(R)(D)



78³/₄"
KBD-FG-80-S(R)(D)

Implantation

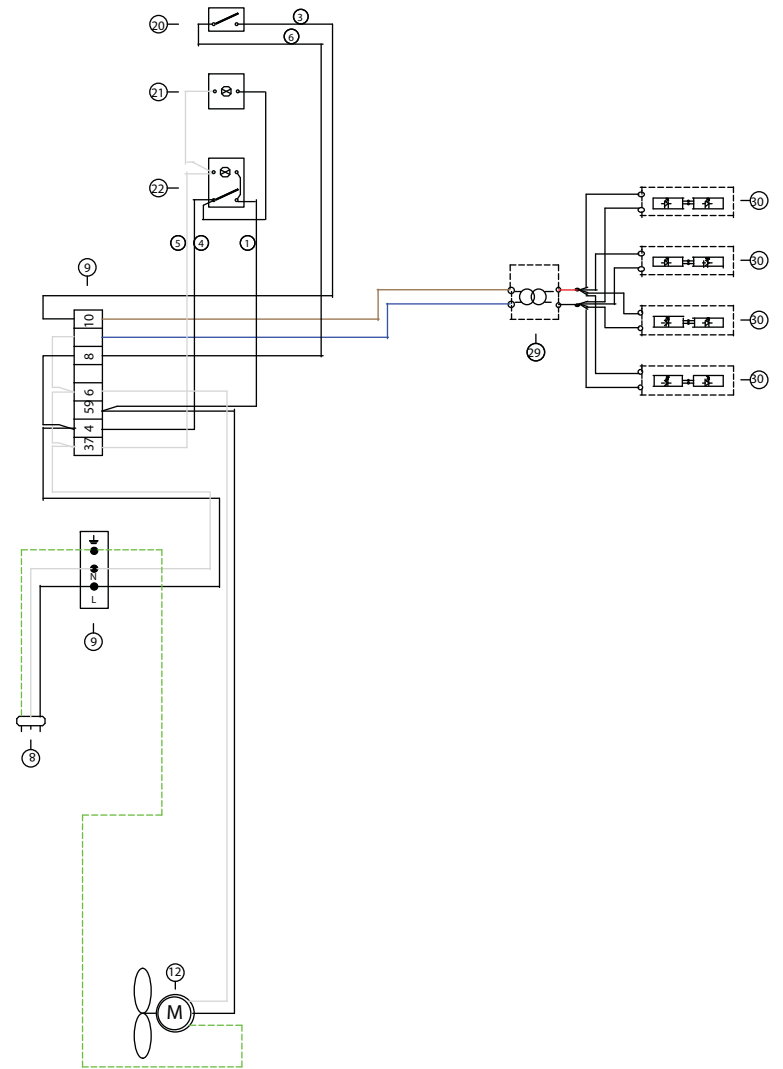
-  Drain outlet
-  Switchboard
-  Upper output



KBD-CG/FG-40-S(D)

↑ Front

3.3 Electrical wiring diagrams



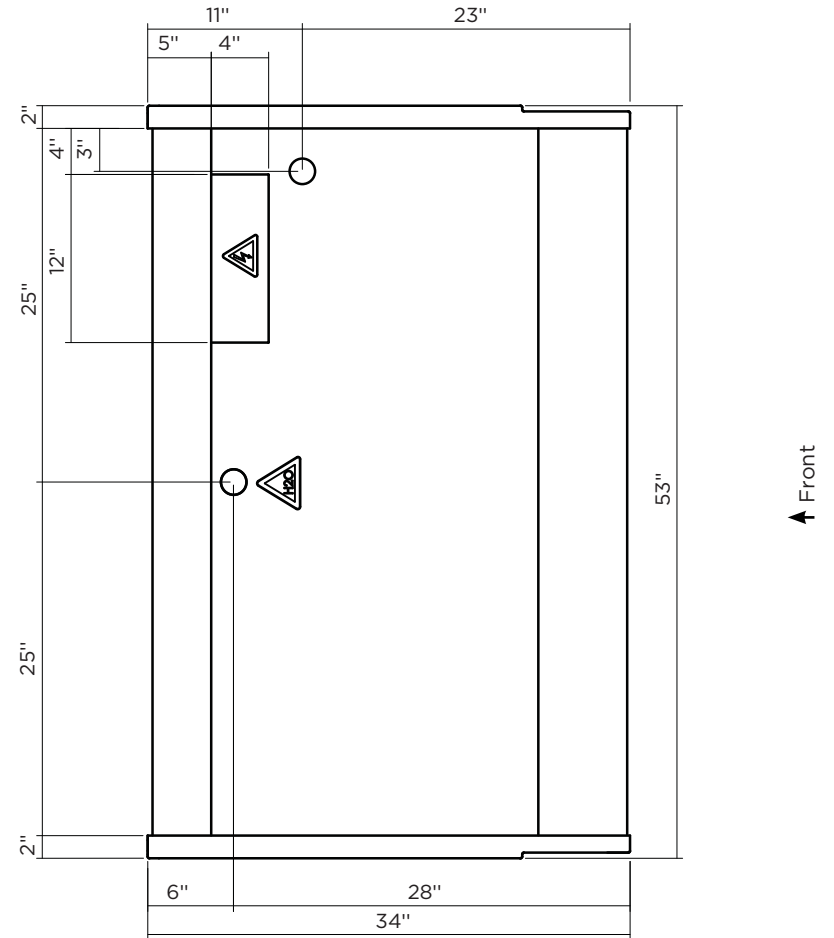
3. Electrical

3.1 Electrical specifications data

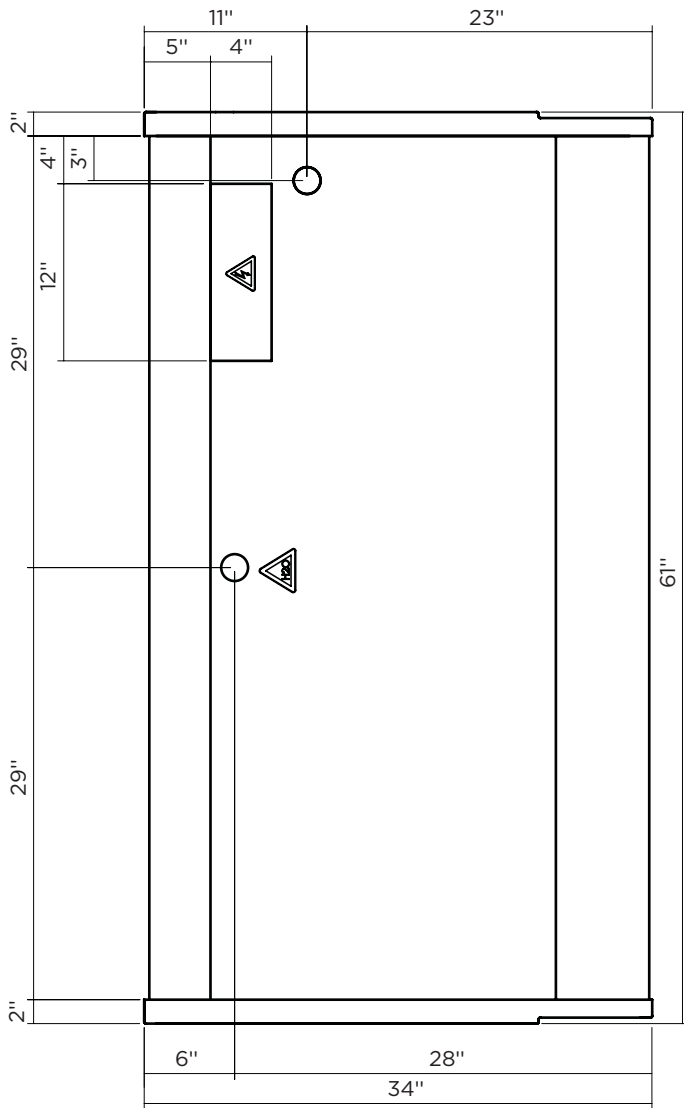
115V/60Hz/1 phase-neutral amps

Model	Total amps (remote)
KBD-CG/FG-40-D	0,29
KBD-CG/FG-50-D	0,33
KBD-CG/FG-60-D	0,41
KBD-CG/FG-80-D	0,43

The data regards to standard options only.

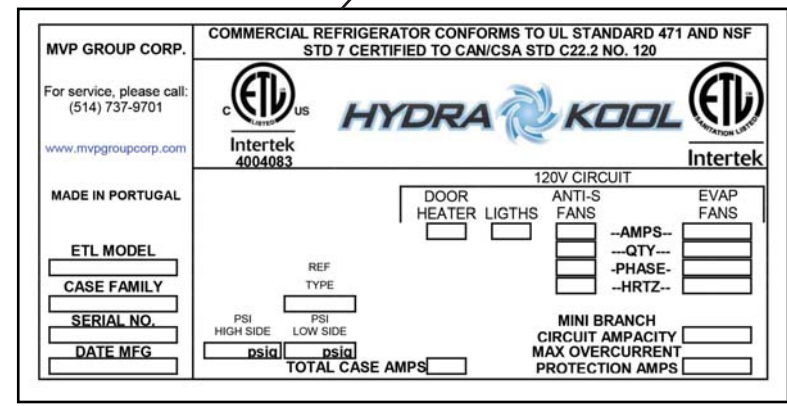


KBD-CG/FG-50-S(D)

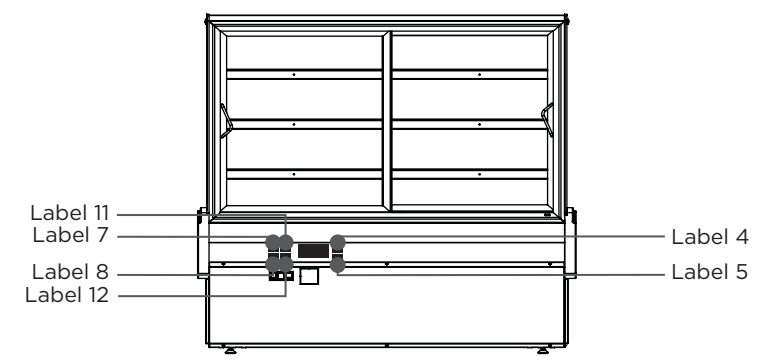


KBD-CG/FG-60-S(D)

↑ Front



2.6 Warning/caution labels



2.7 Check your electrical installation

2.9 Joining

2.10 Plugging and start

Connect for lighting and ventilation.

Annex-A Dry KBD-Series

Dry KBD-XX-XX-D series are intended for non refrigerated product. Dry units are similar to refrigerated ones. To function with your equipment please follow the chapters pointed.


1 General information

1.1 Case description

2. Getting started with your KBD series

2.1 Location

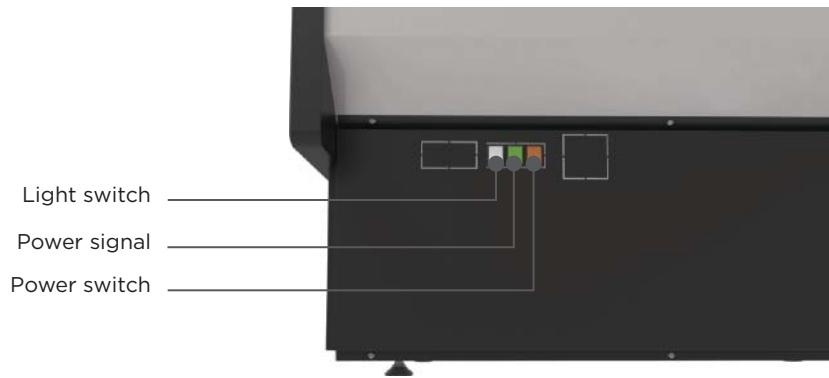
Apply all warnings except the ones regarding refrigeration.

 Non refrigerated products only.

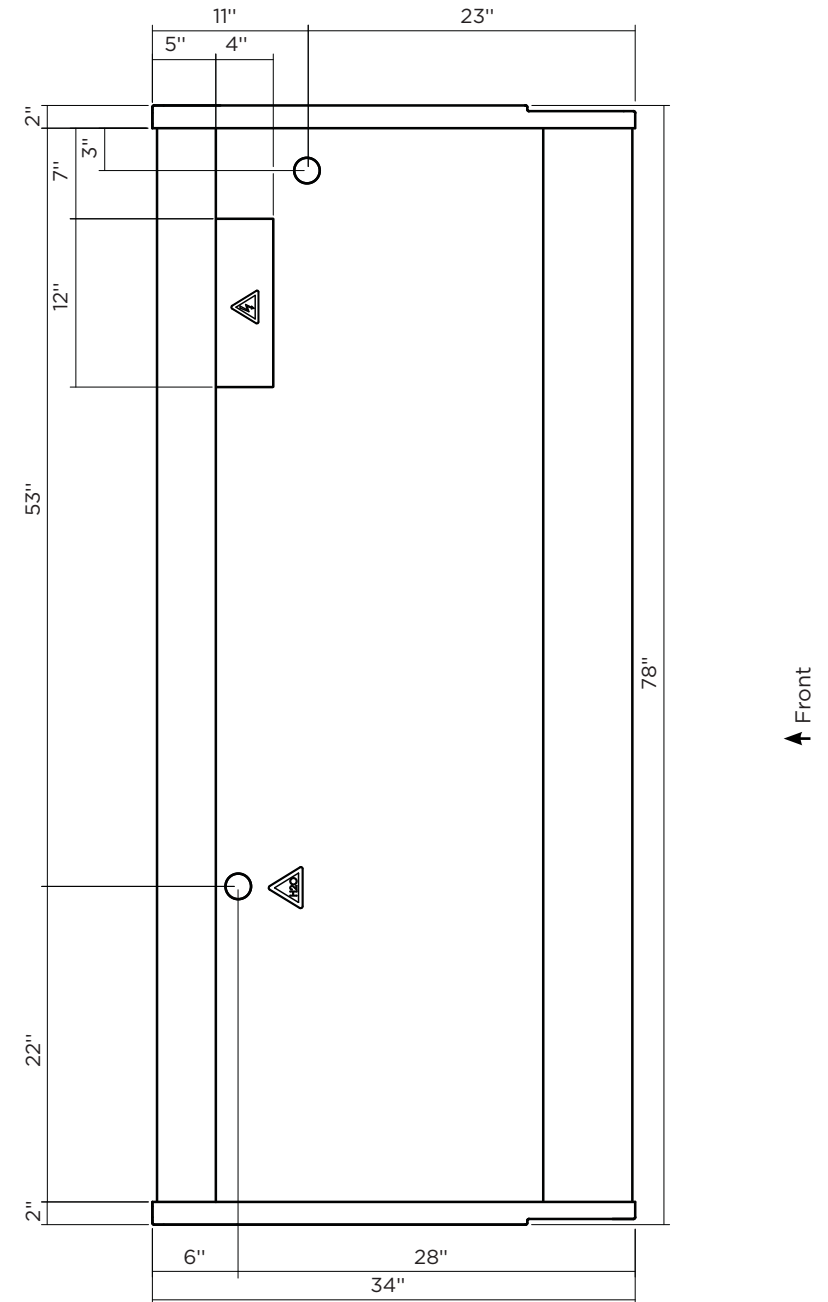
2.2 Uncrating

2.3 Check for damage

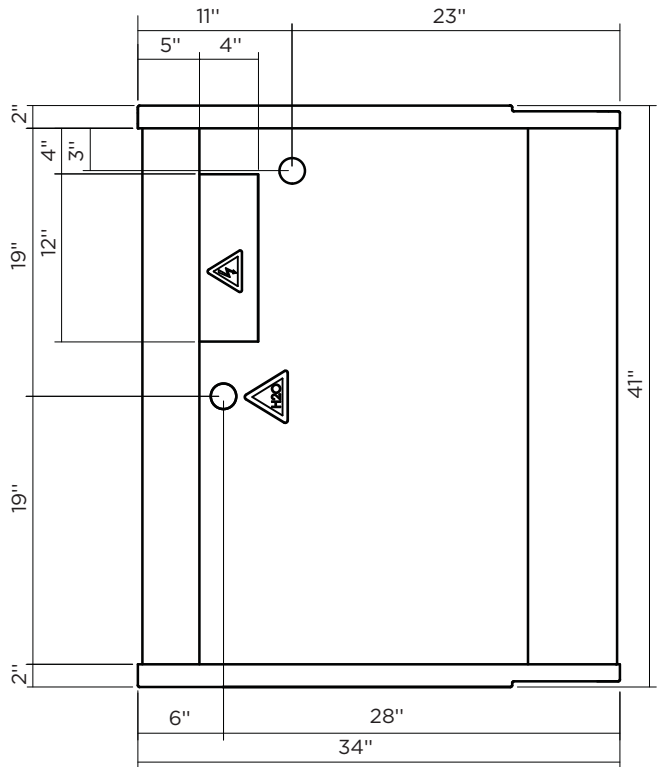
2.4 Control panel and main features



2.5 Check serial model number and options requested



KBD-CG/FG-80-S(D)



↑ Front

KBD-CG/FG-40-R(D)

8 Notes

7 Warranty

12 months warranty for all parts and labour from the invoice date. A new part will be provided free of charge. Defective part must be returned to the manufacturer.

Warranty claims: All claims must include model number, serial number, date of purchase, date of installation and additional information about the supposed defect.

All service work must be authorized by MVP group.

MVP group reserves the right to select the service company.

Loss of food or other damages caused by faulty equipment aren't covered by this warranty.

Warranty does not cover damage when uncrating.

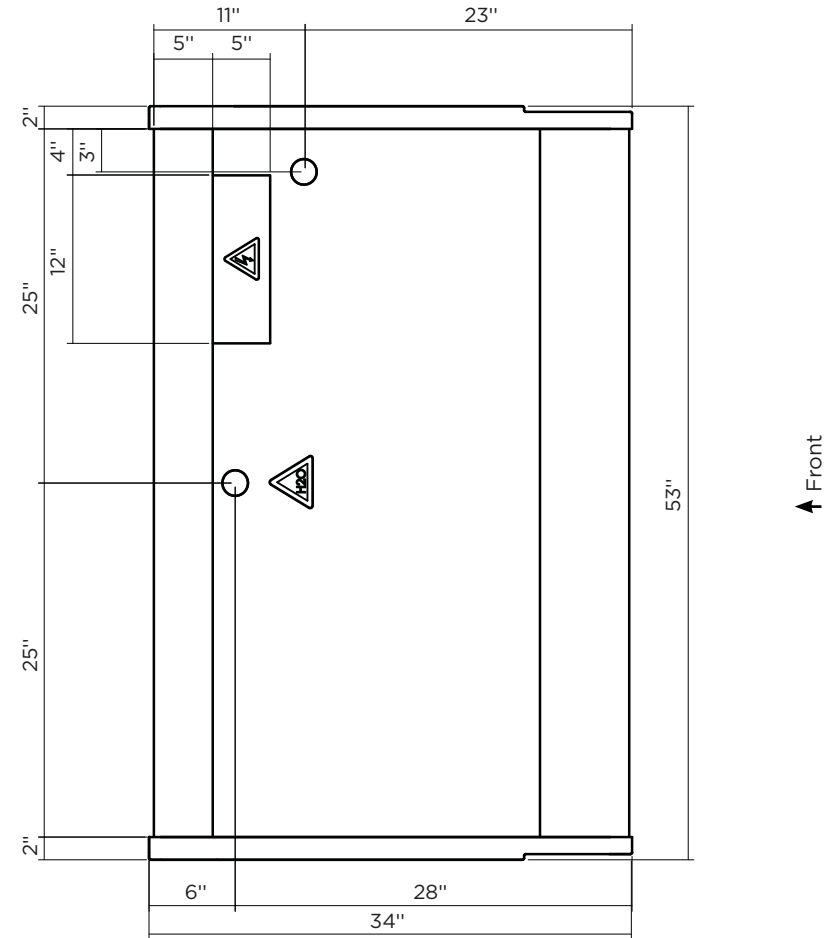
Work made necessary, by lack of maintenance or cleaning are not covered by this warranty.

Warranty does not cover damage or malfunction result of improper use or installation.

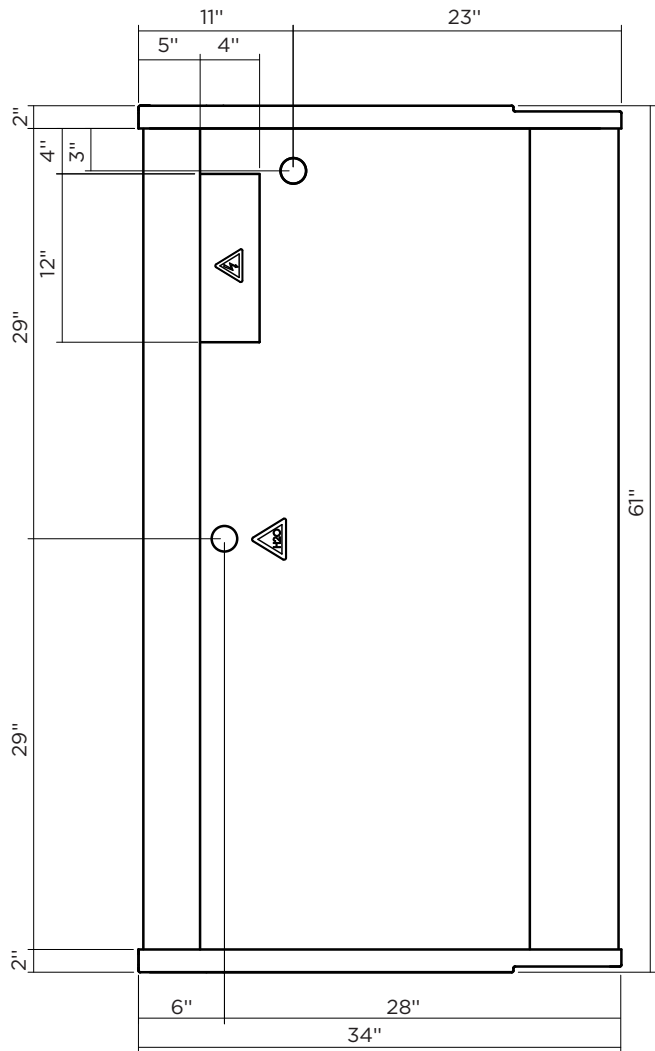
Warranty does not cover negligence, misuse and operation on wrong voltage.

Warranty does not apply if the serial number is altered or defaced.

Failure to comply with the instructions in this manual shall avoid warranty.



KBD-CG/FG-50-R(D)



↑ Front

KBD-CG/FG-60-R(D)

Service by	Type of action	Date	Serial number and model



Head pressure too low:

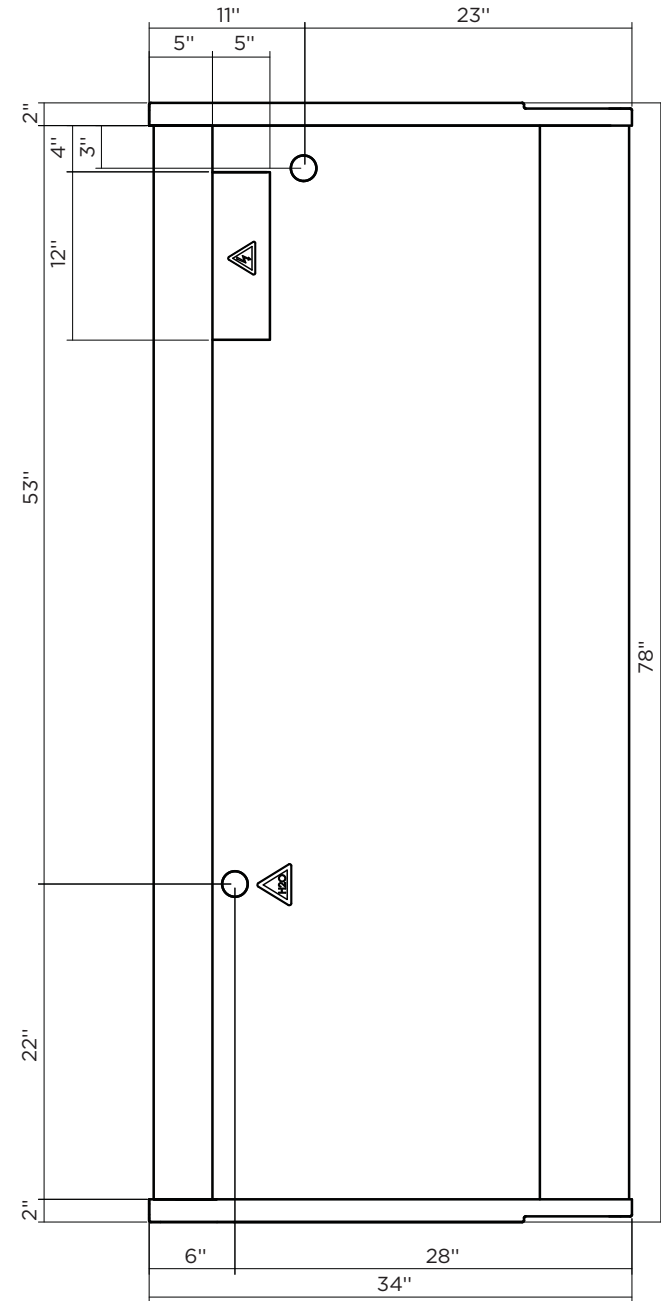
- Insufficient refrigerant charge.
- Leak in the system.
- Cold location.

Noisy unit:

- Compressor oil charge low.
- Fan blade causing vibrations.
- Tube rattle.
- Loose parts.
- Case not leveled.

6.2 Service

-  This operation must be performed by a qualified technician.
-  For spare parts, contact your distributor.



KBD-CG/FG-80-R(D)














KBD series intended for pastry and bakery are type 1 equipment - 75°F/55%RH.
 Temperature of pastry and bakery cases is set for 39°F.
 All glass shelves of the KBD series have a 5,5 lb/ft² loading limit.

Model	Dimensions (LxDxH in inches)	Service dimensions (LxDxH in inches)	Volume (ft ³)
KBD-CG/FG-40-S(R)(D)	39¾"x33½"x53¾"	39¾"x46½"(55⅛")x53¾"	13,3/15,6
KBD-CG/FG-50-S(R)(D)	51⅞"x33½"x53¾"	51⅞"x46½"(55⅞")x53¾"	17,5/20,5
KBD-CG/FG-60-S(R)(D)	59"x33½"x53¾"	59"x46½"(55⅞")x53¾"	20,3/23,8
KBD-CG/FG-80-S(R)(D)	78¾"x33½"x53¾"	78¾"x46½"(55⅞")x53¾"	26,6/31,1

2 Getting started with your KBD series

2.1 Location

To your new equipment perform well, please respect the following warnings:

-  This is type 1 equipment, intended to work with 75°F / 55%RH.
-  This equipment is intended for maintaining temperature only.
-  Be sure products are not ambient temperature (must be cold).
-  This equipment must be located in an indoor environment.
-  Check for airdrafts and avoid them.
-  Air movement from ac units shouldn't be directed to the equipment.
-  The equipment must not be directly or indirectly exposed to the sun.
-  Check for rejected heat from another refrigeration units and avoid that.
-  Place the equipment in a levelled floor.
-  Do not obstruct the air way in front of the condenser.
-  Make sure there is a drain preparation (remotes only).
-  After servicing always close the doors.
-  This equipment should be handled by a qualified technician.

Case not aligning:

- Check for leveled floor.
- Check instructions for joining.

Fans not working:

- Check electrical connections.
- Check for any debris.

Display not working:

- Check main power switch position.
- Check electrical connections.

Compressor not starting:

- Disconnect switch open.
- Blown fuse.
- Overload protective tripped.
- Low charge of refrigerant.
- Relay defective.

Equipment runs constantly:

- Condenser dirty.
- Condenser fan malfunction.
- Temperature and relative humidity too high.

Starting relay burns out:

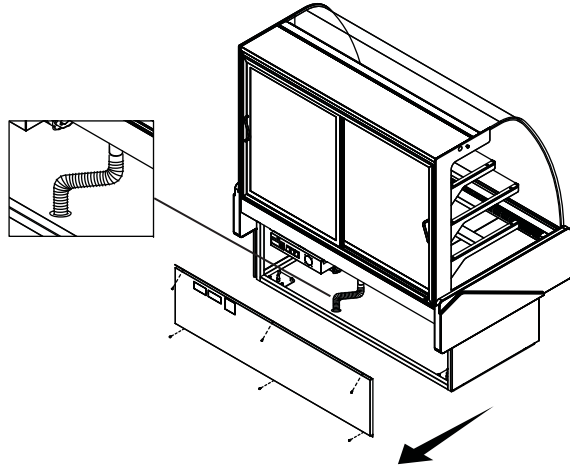
- Low voltage.
- High voltage.
- Compressor short cycles.
- Incorrect running capacitor.
- Incorrect relay.

Head pressure too high:

- Air or other non condensable gases in the system.
- Clogged condenser.
- Defective condenser fan motor.
- Unit location too hot.
- Restriction in charge line

5.9 Drain inspection

- ⚠ Check for drain obstruction and correct position every month (Remotes only).



6 Troubleshooting/Service

6.1 Troubleshooting

- ⚠ This operation must be performed by a qualified technician.

Doors not closing:

- Check for leveled floor.
- Check for obstruction.
- Remove doors and check the bearings.

Lights not working:

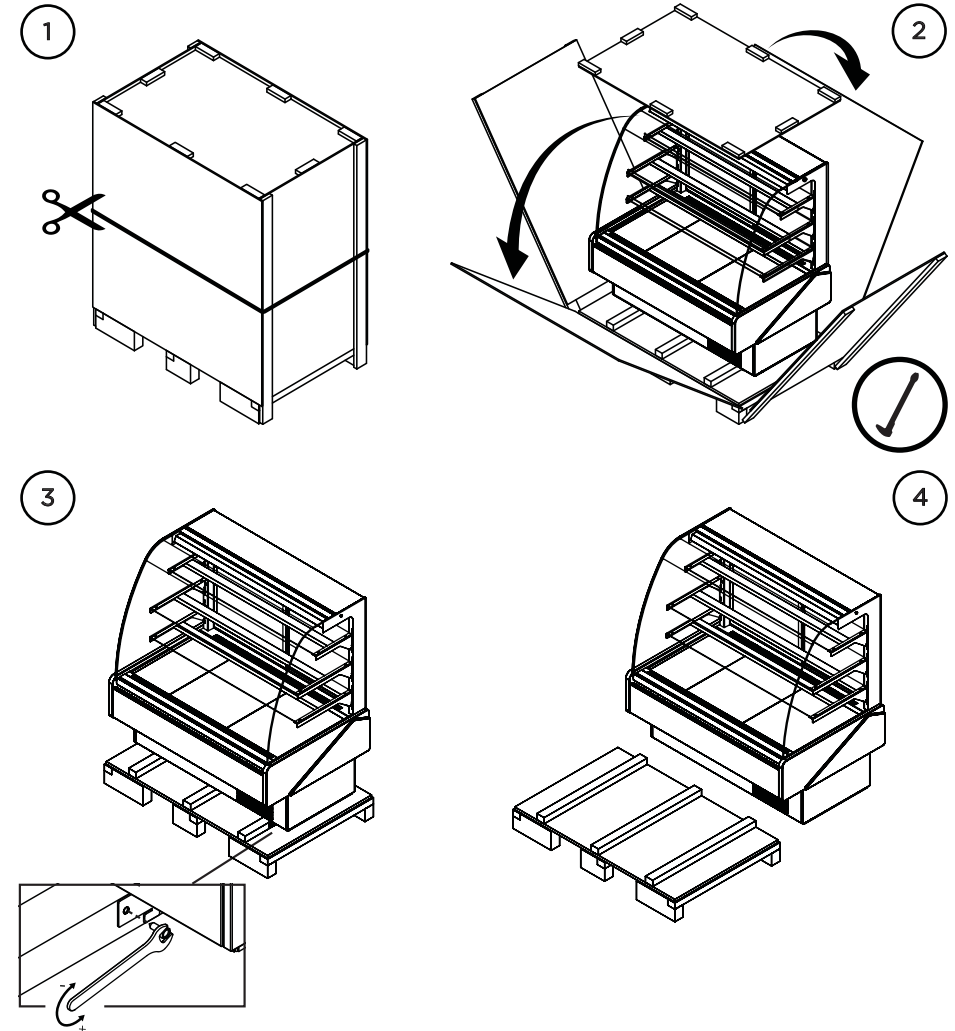
- Check light switch position.
- Check light connections.

Warm case temperature:

- Check for air return grille obstruction.
- Check for air drafts.
- Check store temperature.
- Check for condenser obstruction and cleaning.
- Check for frozen evaporator.
- Check set point.
- Display area is over filled.

2.2 Uncrating

- ⚠ All operations must be done carefully.
⚠ All plastic protective films must be removed before using the equipment for the first time.



2.3 Check for damage

At the end of production HYDRA KOOL products are carefully inspected. No damaged units are sent out. HYDRA KOOL doesn't take responsibility for damage between factory and client.

Possible damage on the unit must be checked to file a claim near the transportation company.

The unit must be checked in the following points:

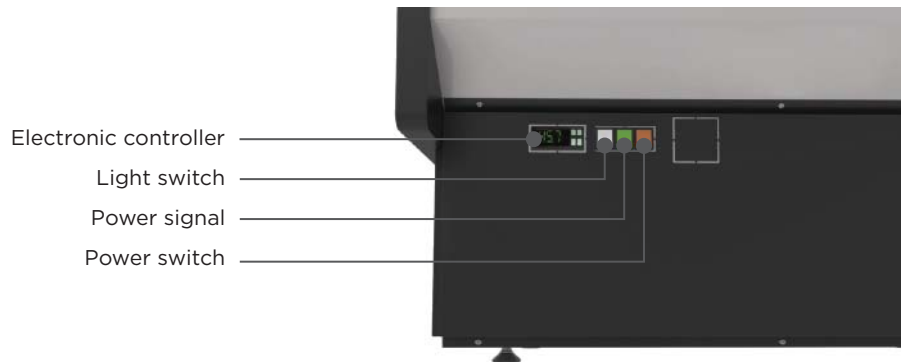
- Exterior panels
- Doors
- Shelves
- Glasses
- Paint job
- Door handles
- Base structure

2.4 Control panel and main features

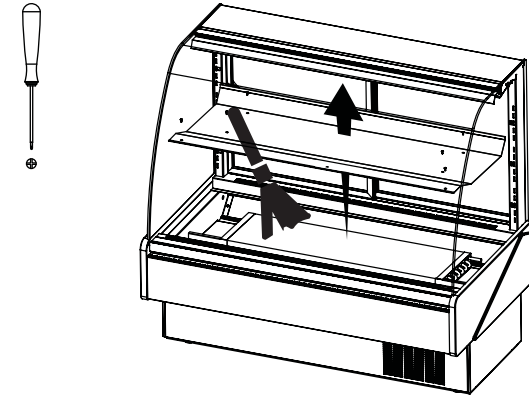
The pictures under, shows the main features and all necessary controls.



Self contained control panel



Remote control panel

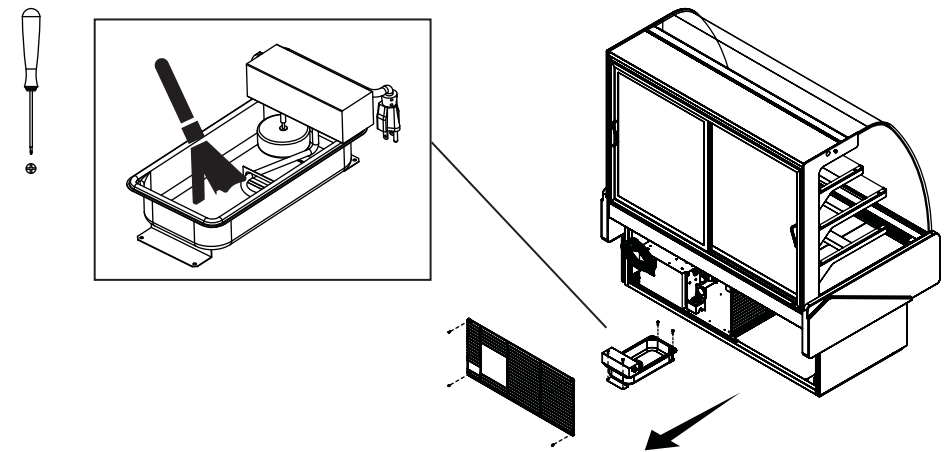


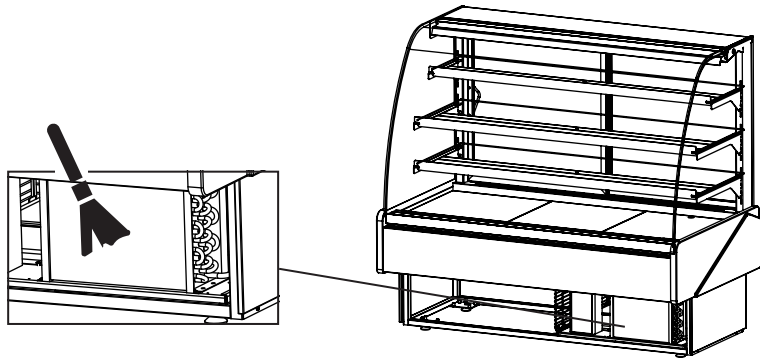
5.8 Evap Pan cleaning

- ⚠ This operation must be performed by a qualified technician.
- ⚠ All operations must be done with the unit disconnected.
- ⚠ Pan can be hot!
- ⚠ This operation must be done weekly.

To access the evap pan:

- Remove protection grille.
- Unplug the evap pan.
- Relieve the screws and take the evap pan off.
- Clean with soft detergent or warm water.



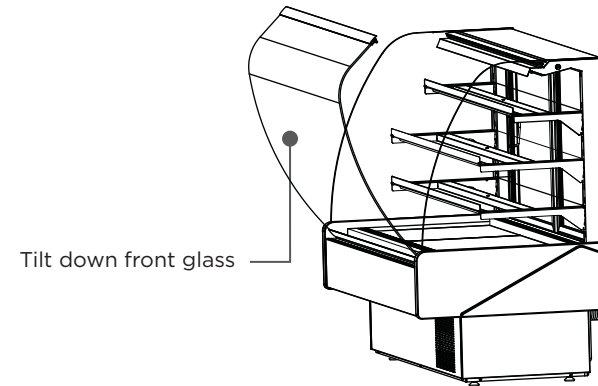
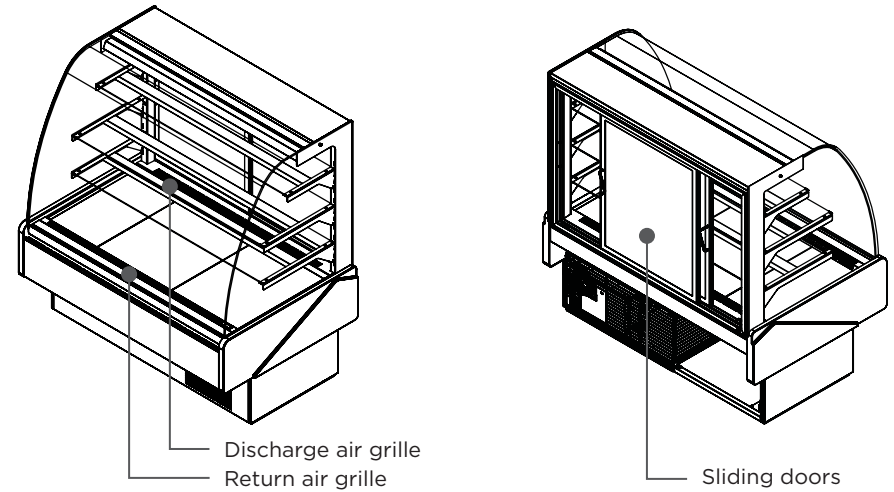
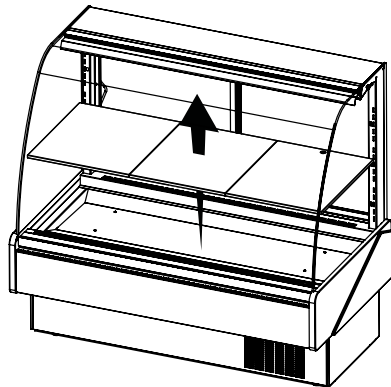


5.7 Evaporator cleaning

- ⚠ This operation must be performed by a qualified technician.
- ⚠ All operations must be done with the unit disconnected.

To access the evaporator:

- Open your unit
- Lift and remove exposition panels
- Use tool for the screws and clean






2.5 Check serial, model numbers and requested options

Before start your equipment, check the serial number, model numbers and requested options. This inspection should be made visually in the following items:






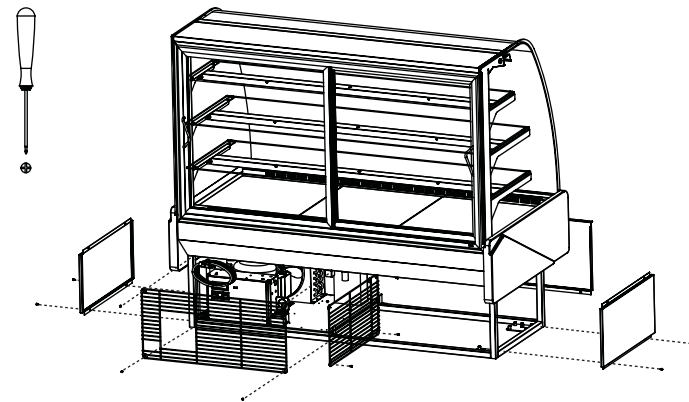
Self contained numbers

MVP GROUP CORP.		COMMERCIAL REFRIGERATOR CONFORMS TO UL STANDARD 471 AND NSF STD 7 CERTIFIED TO CAN/CSA STD C22.2 NO. 120	
For service, please call: (514) 737-9701		  	
www.mvpgroupcorp.com		Intertek 4004083	
MADE IN PORTUGAL		120V CIRCUIT	
ETL MODEL	EVAP PAN	DOOR HEATER	ANTI-S FANS
CASE FAMILY	REF AMOUNT LEFT	REF AMOUNT RIGHT	EVAP FANS
SERIAL NO.	PSI HIGH SIDE	PSI LOW SIDE	COND FANS
DATE MFG	psig	psig	COMP
	TOTAL CASE AMPS		MINI BRANCH CIRCUIT AMPACITY
			MAX OVERCURRENT PROTECTION AMPS



Remote name plate

MVP GROUP CORP.		COMMERCIAL REFRIGERATOR CONFORMS TO UL STANDARD 471 AND NSF STD 7 CERTIFIED TO CAN/CSA STD C22.2 NO. 120	
For service, please call: (514) 737-9701		  	
www.mvpgroupcorp.com		Intertek 4004083	
MADE IN PORTUGAL		120V CIRCUIT	
ETL MODEL	REF TYPE	DOOR HEATER	ANTI-S FANS
CASE FAMILY		LIGHTS	EVAP FANS
SERIAL NO.	PSI HIGH SIDE		MINI BRANCH CIRCUIT AMPACITY
DATE MFG	psig		MAX OVERCURRENT PROTECTION AMPS
			TOTAL CASE AMPS

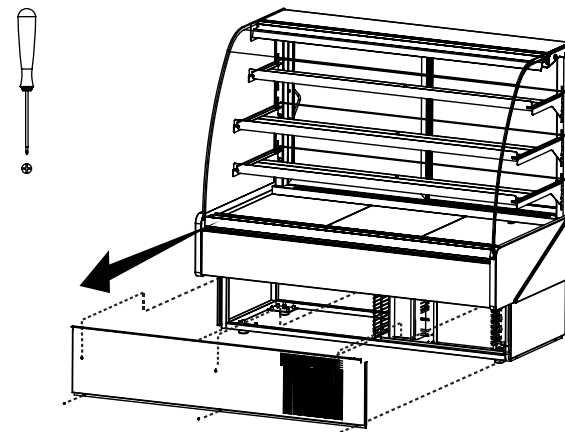


5.6 Condenser cleaning

- ⚠ This operation must be performed by a qualified technician.
- ⚠ All operations must be done with the unit disconnected.

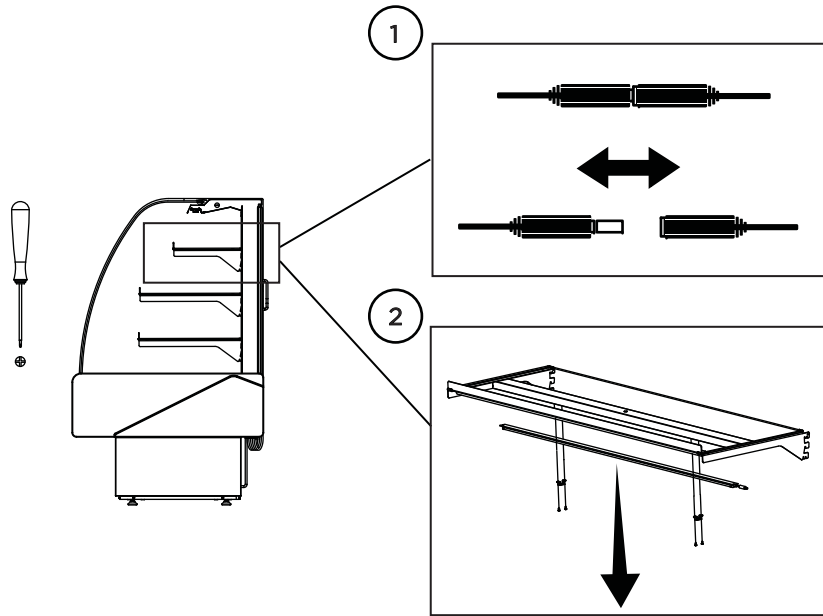
Condensator must be regularly cleaned (every month). Use a brush or vacuum it.

To get to the condenser must remove frontal panel.



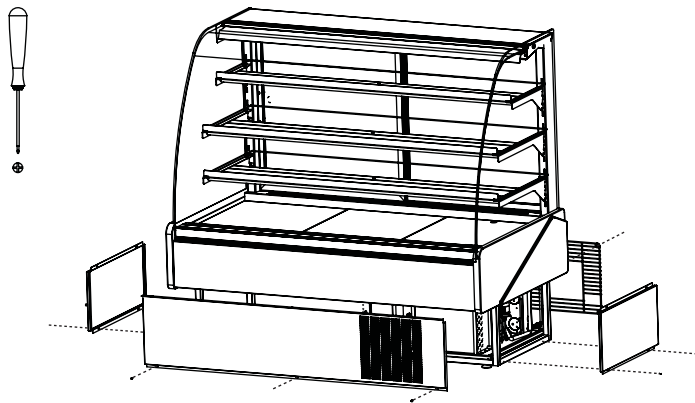
2.6 Warning/Caution labels

- ⚠ Before starting, HYDRA KOOL products have caution and warning labels to be respected.

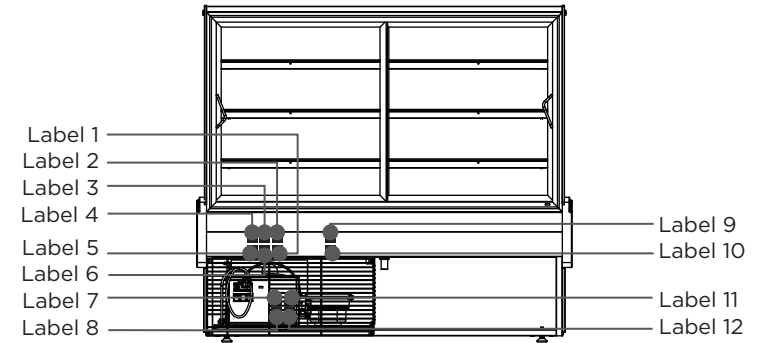


5.5 Panels and protection grille removal

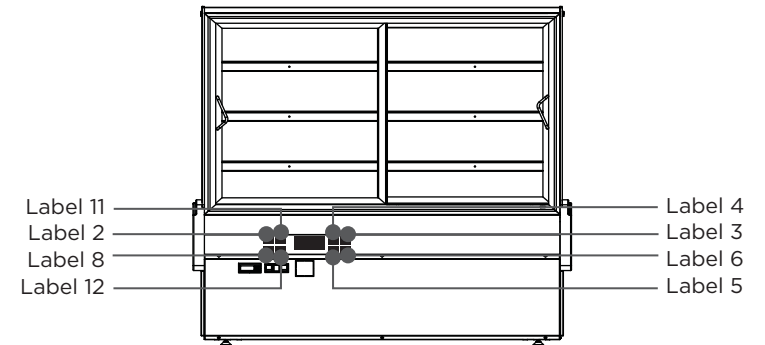
In order to remove the panels unscrew all the bolts.



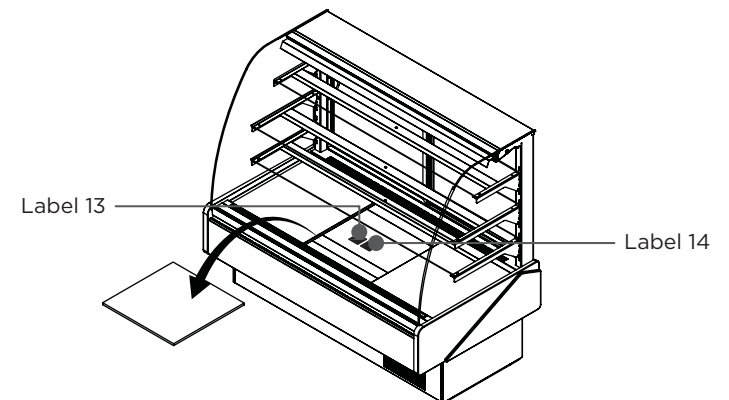
Self contained labels



Remote labels



Self contained and remote labels (evaporator)



Label 1

ATTENTION

PIÈCES MOBILES.
NE FAIRE PAS
FONCTIONNER AVEC
DES PIÈCES ENLEVER

Label 2

CAUTION

MOVING PARTS.
DO NOT OPERATE UNIT
WITH (PART) REMOVED

Label 3

-NOTE-

THIS A TYPE 1 CASE AND IS
DESIGNED TO OPERATE AT
THE FOLLOWING STORE
CONDITIONS THAT DOES NOT
EXCEED
75 F AND 55% R.H.

Label 4

-NOTE-

THIS EQUIPMENT IS INTENDED
FOR THE STORAGE
AND DISPLAY OF PACKAGED
FOOD PRODUCTS ONLY

Label 5

-NOTE-

CET EQUIPEMENT EST PREVU
UNIQUEMENT POUR LE
STOCKAGE ET EXPOSITION DE
PRODUITS ALIMENTAIRES
EMBALLER

Label 6

-NOTE-

CETTE VITRINE TYPE 1 EST
CONÇUE POUR FONCTIONNER
SELON LES CONDITIONS DU
MAGASIN ET NE DOIT
DÉPASSER
75 F AND 55% R.H.

Label 7

CAUTION

DISCONNET ALL POWER.
MAY HAVE MORE THEN
ONE DISCONNET SWITCH

Label 8

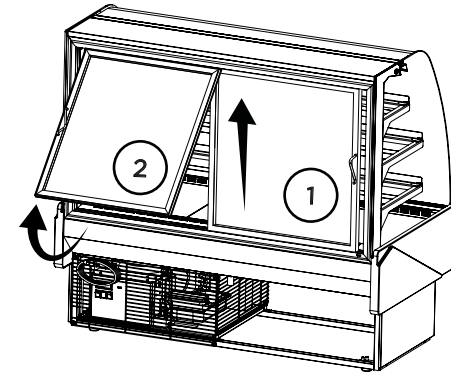
CAUTION

RISK OF ELECTRIC SHOK.
DISCONNECT ALL
POWER BEFORE
SERVICING UNIT

5.3 Sliding doors removal

Sliding doors are easy to take off.

- Grab door push up and then tilt the bottom towards you.
- To put the door back on, just reverse the previous step.



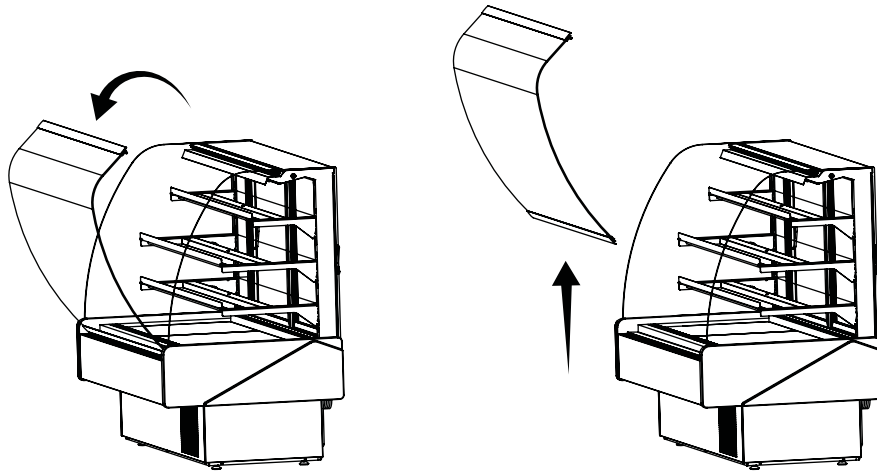
5.4 Light substitution

To replace lights follow the steps:

 All operations must be done with the unit disconnected.

- Disconnect the light
- Unscrew the light holder and remove the light
- Insert a new light in the same place of the old one
- Screw the holder and connect it
- Plug and turn on the light

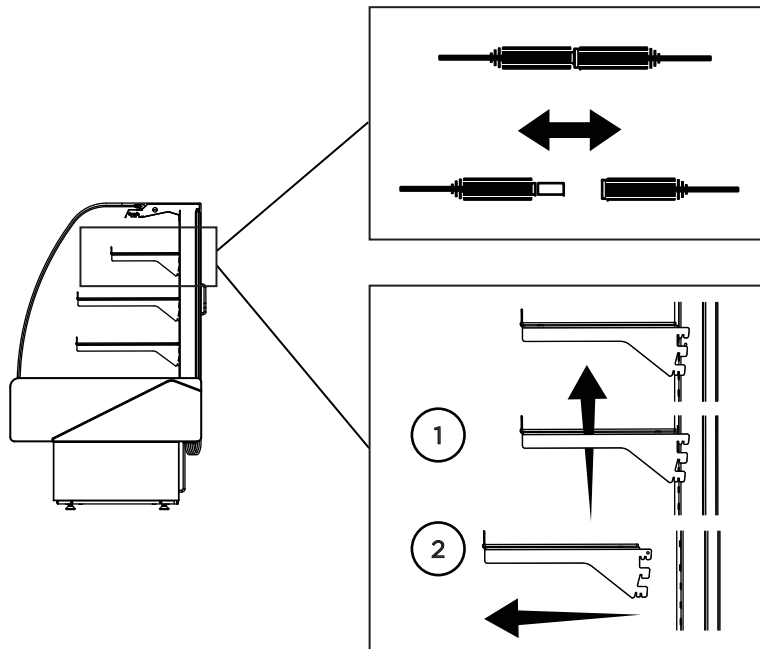
For easier cleaning remove the front glass (see instructions below).



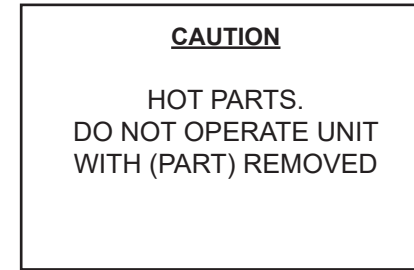
5.2 Shelf removing/adjustment

 All operations must be done with the unit disconnected.

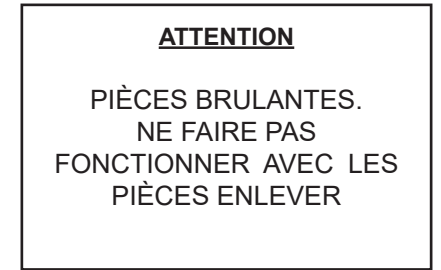
To remove or adjust shelves take care with glass and light connections.



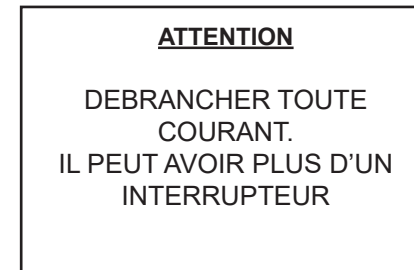
Label 9



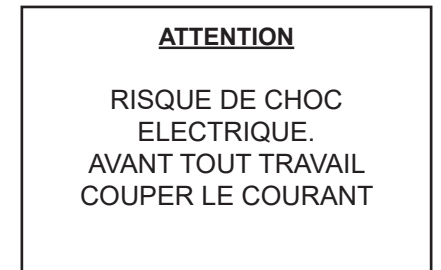
Label 10



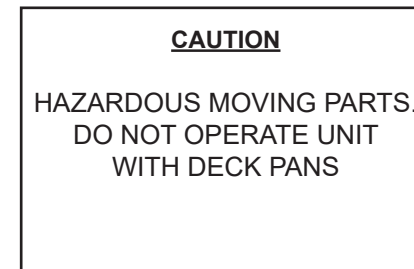
Label 11



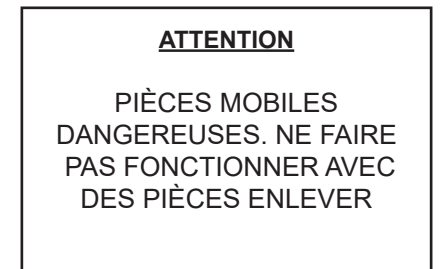
Label 12




Label 13

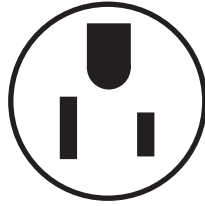


Label 14




2.7 Check your electrical installation

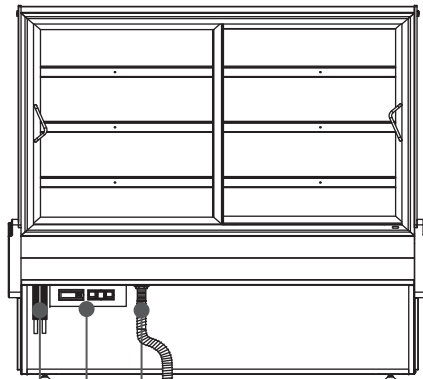
 This equipment is intended to be connected to an outlet with 115V/ 60Hz/ 1 phase.



Nema-5-15P





2.8 Electrical, drain and refrigeration connections (remote only)

 Installation and service must be performed by a qualified technician.



- Prepare a drain installation.
- All electrical connections must be done from the electrical board.
- Equipments for remote installation come with nitrogen under pressure and an easy prep kit (tubing connections needed only) for installation.

Main parameters

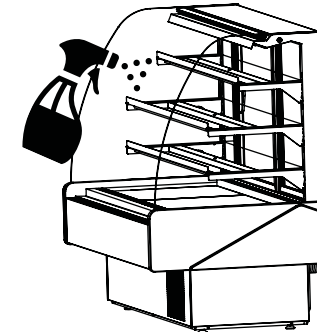
Symbol	Code	Parameter	Models	UOM	Type	Min	Max	Def
	/3	Probe display response	MSYF	-	C	0	15	0
	/5	Select °C or °F 0: °C 1: °F	MSYF	flag	C	0	1	0
	/A2	Configuration of probe 2 (S2)	YF MS	- -	C C	0 0	4 4	2 2
		0: Probe absent 1: Product probe (display only) 2: Defrost probe 3: Condenser probe 4: Antifreeze probe						
/c1	Calibration of probe 1	MSYF	°C/°F	C	-20	20	0,0	
	St	Temperature set point	MSYF	°C/°F	F	r1	r2	0,0
	rd	Control delta	SYF	°C/°F	F	0,1	20	2,0
	c2	Minimum compressor OFF time	SYF	min	C	0	15	0
	dl	Interval between defrosts	SYF	hours	F	0	250	8
	dP1	Maximum defrost duration, evaporator	SYF	min	F	1	250	30

5 Maintenance

5.1 Cleaning

 All operations must be done with the unit disconnected.

Clean surfaces (glass/metal/plastic) with soft detergents or warm water. Do not use abrasive cleanser.



Signals on the display

The blinking status indicates a request for activation that cannot be implemented until the end of the corresponding delay times.

Icon	Function	ON	OFF	blink	Startup
	COMPRESS.	compressor ON	comp. OFF	compressor request	
	FAN	fan ON	fan OFF	fan request	
	DEFROST	defrost in progress	defrost not required	defrost request	
	AUX	auxiliary output AUX active	auxiliary output AUX not active	anti-sweat heater function active	
	ALARM	delayed external alarm (before the expiry of the time "A7")	no alarm present	alarms in normal operation (eg. high/low temp.) or alarm from ext. digital input immediate or delayed	
	CLOCK	at least one timed defrost has been set	no timed defrost is present	clock alarm	ON if Real-Time Clock present
	LIGHT	auxiliary output LIGHT ACTIVE	auxiliary output LIGHT NOT ACTIVE	anti-sweat heater function active	
	SERVICE		no malfunction	malfunction (eg. EEPROM error or probe fault)	
	HACCP	HACCP function	HACCP function enabled	HACCP alarm (HA and/or HF) not enabled	
	CONTINUOUS CYCLE	enabled	not enabled	request	

Controller must be handled by a qualified technician.

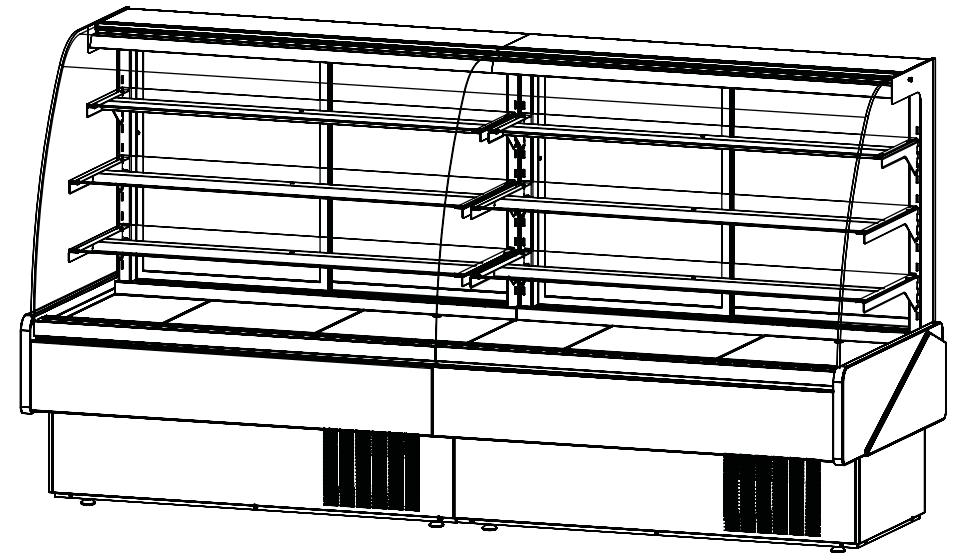
Buttons on the keypad

Normal operation

Button	Press. the button alone	Pressing together with other buttons
	<ul style="list-style-type: none"> if pressed for more than 5 s accessed the menu for setting type "F" (frequent) parameters in the event of alarm: silences the audible alarm (buzzer) and disables the alarm relay 	<ul style="list-style-type: none"> if pressed for more than 5 s together with the SET button, accesses the menu for setting the type "C" (configuration) or downloading the parameters if pressed for more than 5 s together with the UP/AUX button resets any alarm with manual reset
	if pressed for more than 1 s, enables/disables the auxiliary output	<ul style="list-style-type: none"> if pressed for more than 5 s together with DOWN/DEF button, enables/disables the continuous cycle operation if pressed for more than 5 s with SET button, starts the procedure for printing the reports (function available, with management to be implemented) if pressed for more than 5 s together with PRG/MUTE button, resets any active alarm with manual reset
	if pressed for more than 5 s, enables/disables a manual defrost	<ul style="list-style-type: none"> if pressed for more than 5 s together with UP/AUX button, enables/disables the continuous cycle operation if pressed for more than 1 s together with SET button, displays a submenu with the HACCP alarm parameters (HA, HAn, HF, HFn)
	if pressed for more than 1 s, displays and/or set the set point	<ul style="list-style-type: none"> if pressed for more than 5 s together with PRG/MUTE button, accesses the menu for setting the type "C" parameters "C" (configuration) or downloading the parameters if pressed for more than 1 s together with DOWN/DEF button, displays a submenu with the HACCP alarm parameters (HA, HAn, HF, HFn) if pressed for more than 5 s together with UP/AUX, starts the procedure for printing the report (function available, with management to be implemented)

2.9 Joining

For joining follow the steps described.





3x - DIN931 M6x90



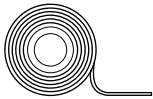
2x - DIN933 M6x20



10x - DIN9021 M6



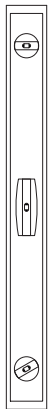
5x - DIN934 M6



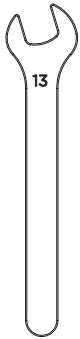
2X FIT00000177 (108¼")



2X FIT00000176 (31½")



1x



1x



1x

Relay outputs	depending on the model					
	model	relay	EN 60730-1		UL 873	
250 V~			operating cycles	250 V~	operating cycles	
	IRxxxx(E,A) (P,Q,S,U,V,X,Y,Z)xxx	R2 (*)	5(1)A	100000	5 A resistive 1FLA 6 LRA C 300	300000
	IRxxxx(E,A) (N,R,C,B,A,M,L,T)xxx	R3 (*)	5(1)A	100000	5 A resistive 1FLA 6 LRA C 300	300000
	IRxxxx(E,A) (N,R,C,B,A,M,L,T)xxx	R1,R2	8 (4)A N.O. 6 (4)A N.C.	100000	8 A resistive 2FLA 12 LRA C300	300000
	IRxxxx(O,L,H) (N,R,C,B,A,M,L,T)xxx	R2,R3 R4 (*)	2 (2)A N.O./N.C.			
	IRxxxx(E,A) (P,Q,S,U,V,X,Y,Z)xxx	R1	12 (2)A N.O./N.C.	100000	12 A resistive 5FLA 30 LRA C300	300000
	IRxxxx(O,L,H) (N,R,C,B,A,M,L,T)xxx	R1 (*)				
	insulation from very low voltage parts			reinforced 6 mm clearance, 8 mm creepage 3750 V insulation		
	insulation between the relay outputs independent			basic 3 mm clearance, 4 mm creepage 1250 V insulation		

SSR outputs Max output voltage : 12 Vdc, Output resistance: 600 Ω, Max output current: 20 mA

(*): Relay not suitable for fluorescent loads (neon lights, ...) that use starters (ballasts) with phase-shift capacitors. Fluorescent lamps with electronic control devices or without phase-shift capacitors can be used, within the operating limits specified for each type of relay.

Conessioni	Type of connection			Cross-section Max. current
Model	Relay screw	P. Supply screw	Probes screw	for wires from 12 A 0.5 a 2.5 mm ²
IRxxxxx0xx	faston	faston	removable	
IRxxxx(E,A)x1xx	removable	removable	removable	
IRxxxxx2xx	faston	faston	screw	
IRxxxx(E,A)x3xx	vertical screw	vertical screw	vertical screw	

the installer has to provide the correct dimensioning of the power supply and cable connection between the instruments and the loads. Depending on the model, the maximum current in the common terminals 1, 3 or 5 is 12 A. When using the controller at maximum operating temperature and full load, use cables featuring a maximum operating temperature of 105 °C at least.

Controller must be handled by a qualified technician.

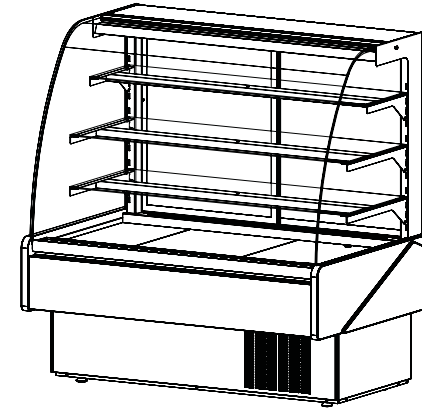
4.4. Electronic controller



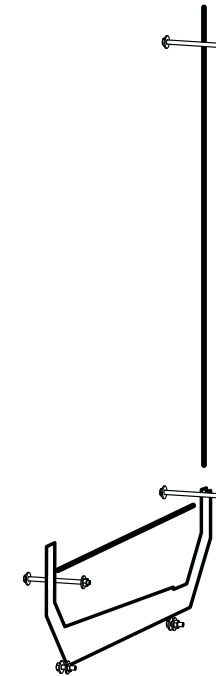
Carel IR33FOAHEO

TECHNICAL SPECIFICATIONS

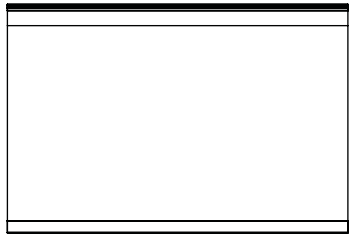
	Model	Voltage	Power
Power supply	IRxxxxExxxx	230 V~, 50/60 Hz	3 VA, 25 mA~max.
	IRxxxxAxxxx	115V~, 50/60 Hz	3 VA, 50 mA~max.
	IRxxxxHxxxx	115 to 230 V~, 50/60 Hz	6 VA, 50 mA~max.
	IRxxxxLxxxx	12 to 24V~, 50/60 Hz, 12 to 30 Vdc	3 VA, 300 mA~/mAdc max.
	IRxxxxOxxxx	12V~, 50/60 Hz, 12 to 18 Vdc	Use only SELV power supply
Insulation guaranteed by the power supply	IRxxxxExxxx	insulation in reference to very low voltage parts	reinforced 6mm clearance, 8 mm creepage 3750 V insulation
	IRxxxxAxxxx	insulation from relay outputs	basic 3mm clearance, 4 mm creepage 1250V insulation
	IRxxxxHxxxx		
	IRxxxxLxxxx	insulation in reference to very low voltage parts	externally guaranteed by safety transformer (SELV power supply)
IRxxxxOxxxx	insulation from relay outputs	reinforced 6mm clearance, 8 mm creepage 3750 V insulation	
Inputs	S1 (probe 1)	NTC (IRxxx0xxxxx) o NTC e PTC (IRxxx7xxxxx)	
	S2 (probe 2)	NTC (IRxxx0xxxxx) o NTC e PTC (IRxxx7xxxxx)	
	DI 1	free contact, contact resistance < 10 Ω, closing current 6 mA	
	S3 (probe 3)	NTC (IRxxx0xxxxx) o NTC e PTC (IRxxx7xxxxx)	
	DI 2	free contact, contact resistance < 10 Ω, closing current 6 mA	
	S4 (probe 4)	NTC (IRxxx0xxxxx) o NTC e PTC (IRxxx7xxxxx)	
	Maximum distance of probes and digital inputs less than 10 m. Note: during installation keep the power and loads connection separate from probe cables, digital inputs, repeater display and supervisory system.		
Probe type	Std. CAREL NTC	10 kΩ at 25 °C, - 50T90 °C range	measurement error: 1 °C in the - 50T50 °C range 3 °C in the - 50T90 °C range
	NTC high temperature	50 kΩ at 25 °C, - 40T150 °C range	measurement error: 1,5 °C in the - 20T115 °C range 4 °C in the - 20T115 °C range
	PTC std. CAREL (specific model)	985 Ω a 25 °C, range da - 50T150 °C	measurement error: 2 °C in the - 50T50 °C range 4 °C in the - 50T150 °C range



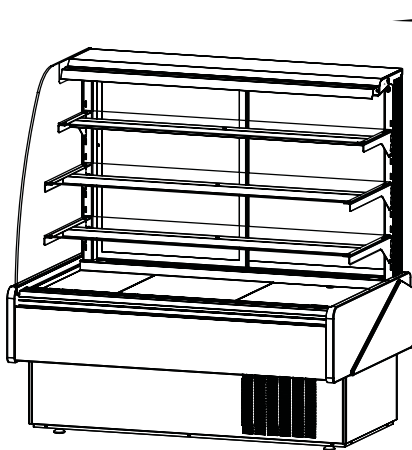
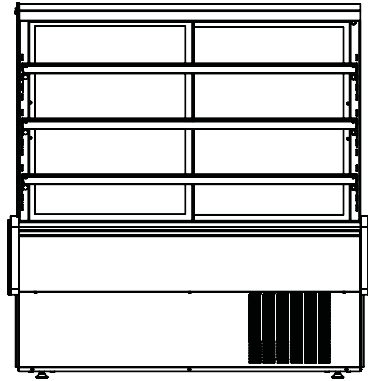
2xKBD-CG



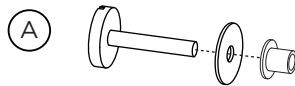
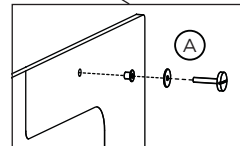
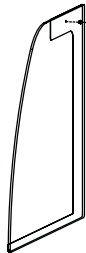
KIT0007U01000



←
2x



→
2x

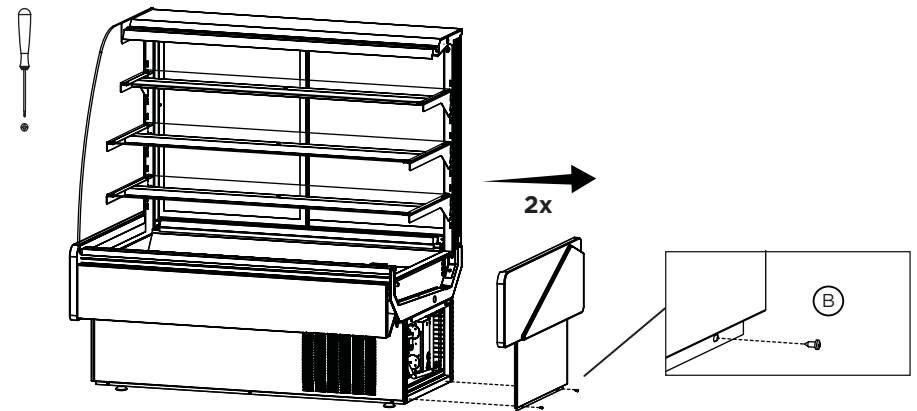
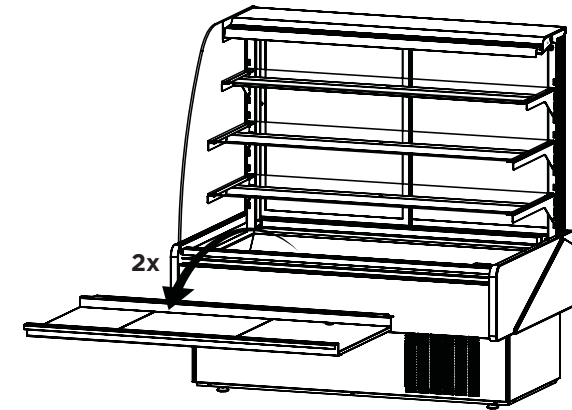
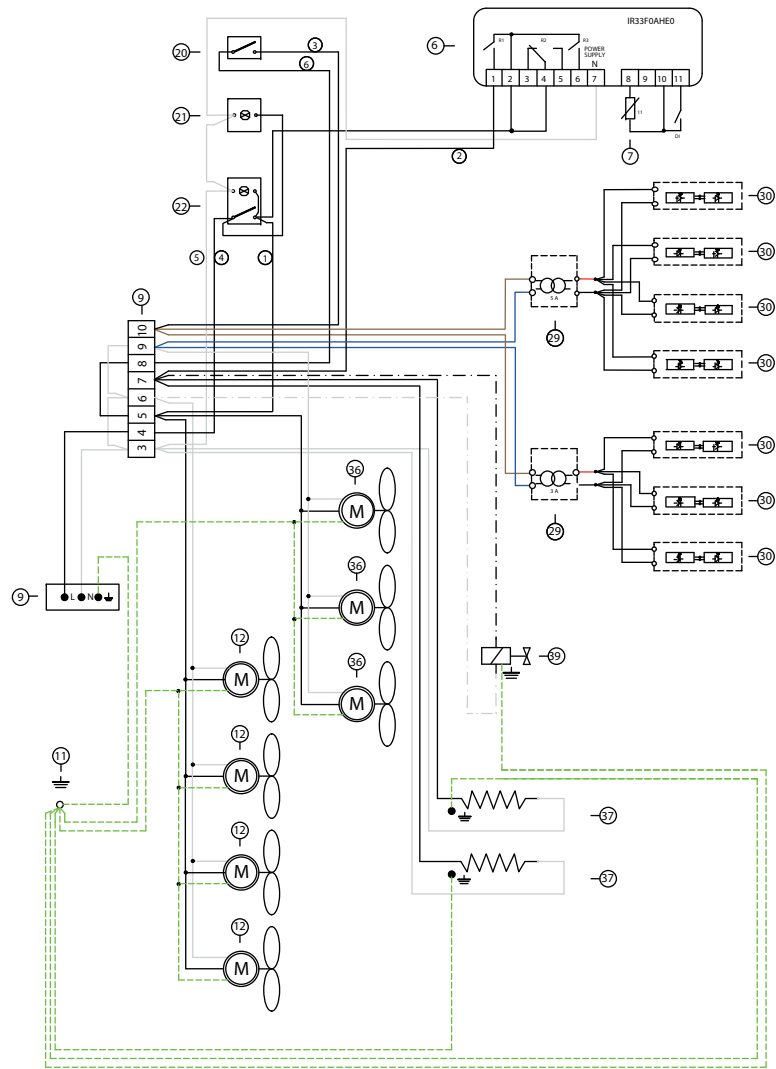


1x - PAR1101005
1x - ANL10101019
1x - CMS00101000

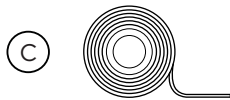
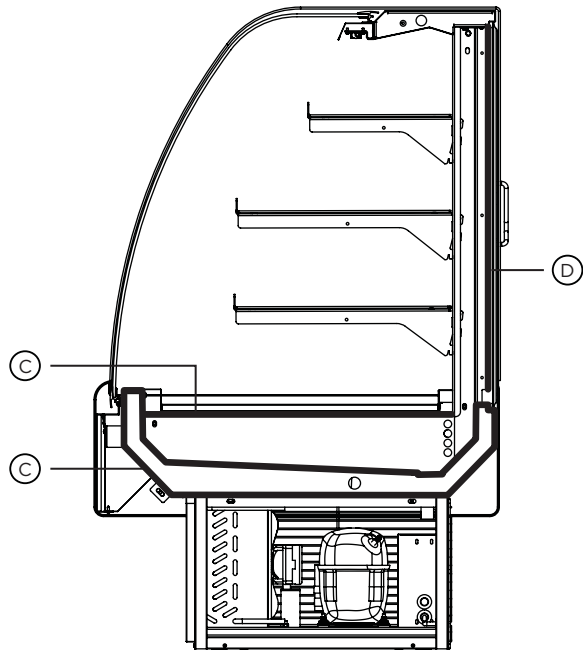
N^o

Discription

6	Controller
7	Temperature probe
9	Terminal block
11	Ground connection
12	Evaporator fan
20	Light switch
21	Pilot light
22	Switch
29	Transformer
30	Led lighting
36	Anti condensation system
37	Anti sweat heater
39	Solenoid valve



1x - DIN7981 PH B M3,9x9,5

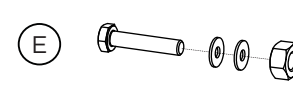
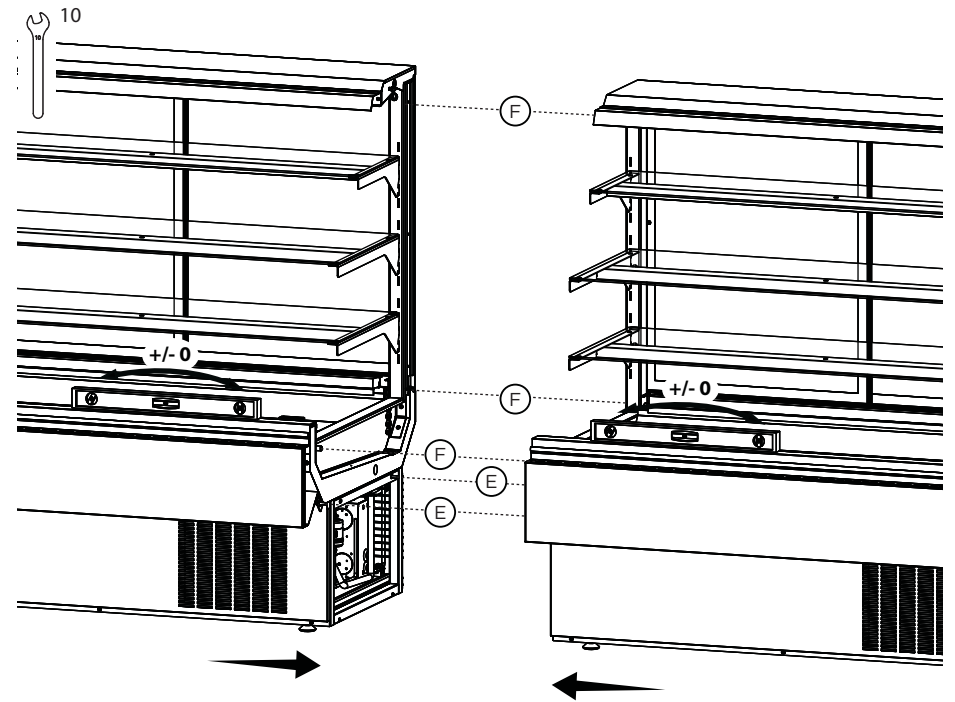
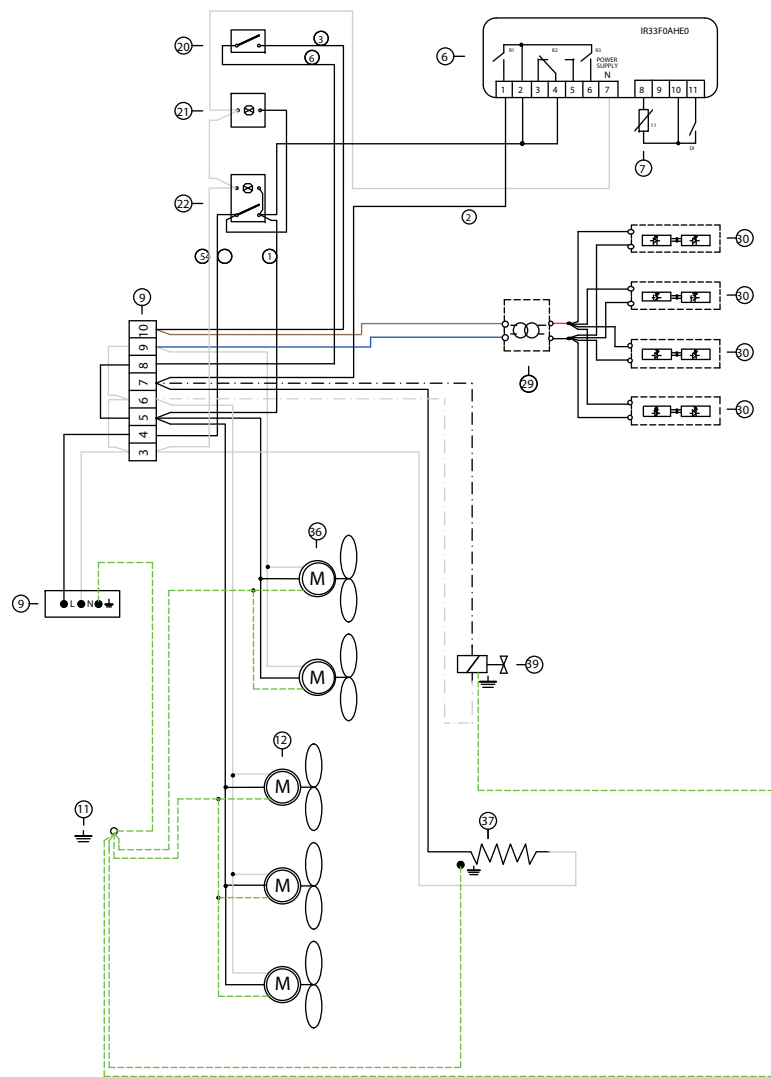


2X - FIT00000177 (108¾")

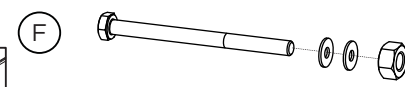


2X - FIT00000176 (31¾")

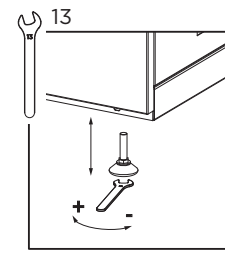
N ^o	Discription	Number for length		
		40 Inch	50 Inch	60 Inch
6	Controller	1	1	1
7	Temperature probe	1	1	1
9	Terminal block	1	1	1
11	Ground connection	1	1	1
12	Evaporator fan	2	3	3
20	Light switch	1	1	1
21	Pilot light	1	1	1
22	Switch	1	1	1
29	Transformer	1	1	1
30	Led lighting	4	4	4
36	Anti condensation system	1	1	1
37	Anti sweat heater	1	1	1
39	Solenoid valve	1	1	1

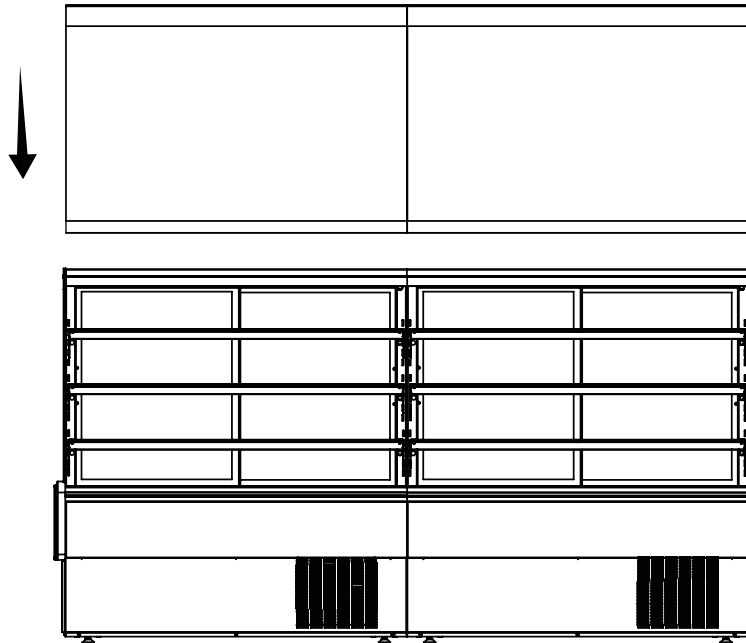
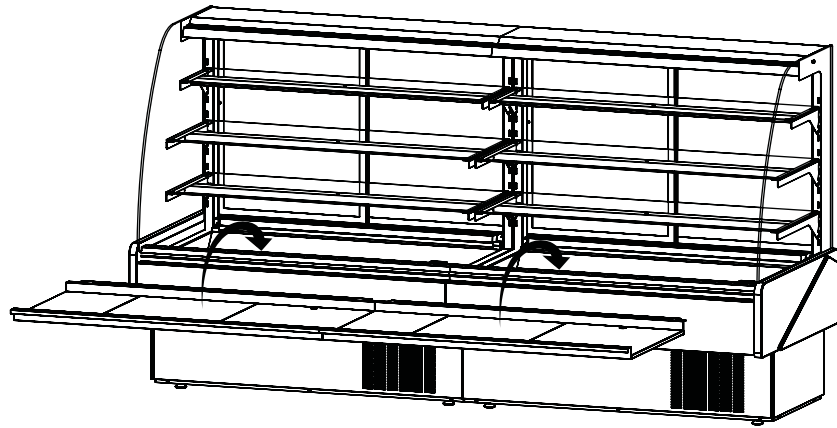


1x - DIN933 M6X20
2x - DIN9021 M6
1x - DIN934 M6

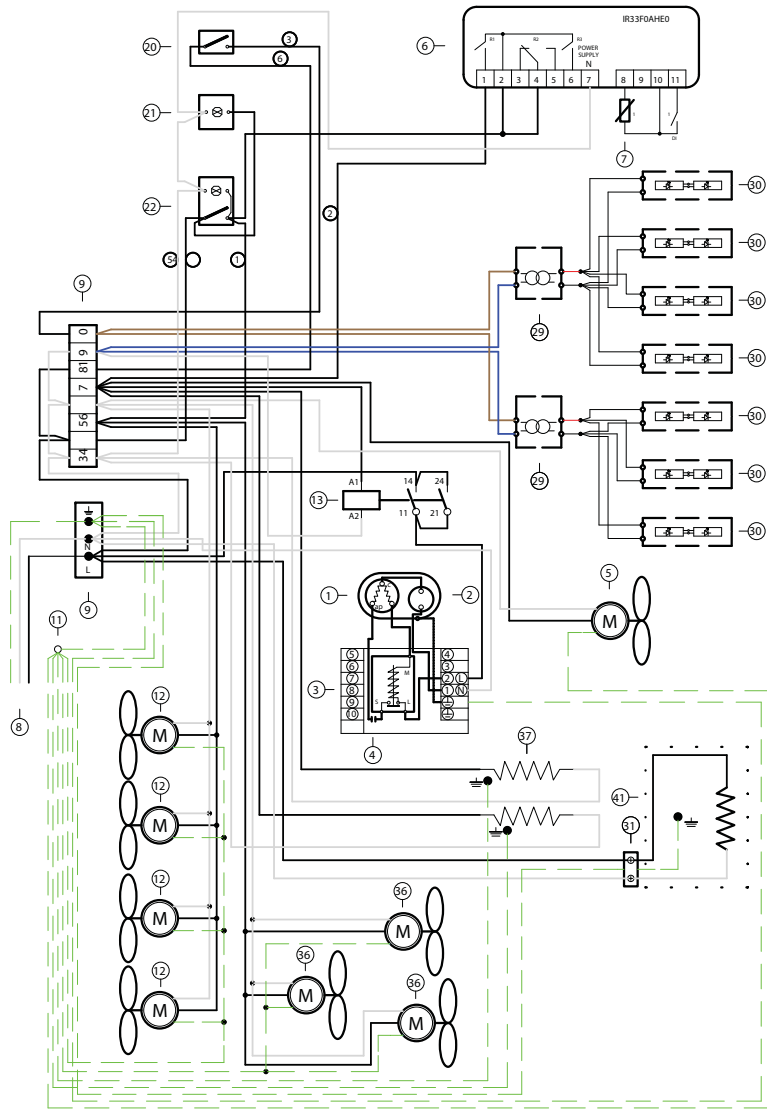


1x - DIN931 M6X90
2x - DIN9021 M6
1x - DIN934 M6





N ^o	Discription
1	Compressor
2	Overload
3	Relay
4	Start capacitor
5	Condenser fan
6	Controller
7	Temperature probe
8	Earth two pin plug
9	Terminal block
11	Ground connection
12	Evaporator fan
13	Compressor relay
20	Light switch
21	Pilot light
22	Switch
29	Transformer
30	Led lighting
31	Socket
36	Anti condensation system
37	Anti sweat heater
41	Evaporative condensate pan



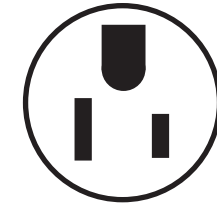
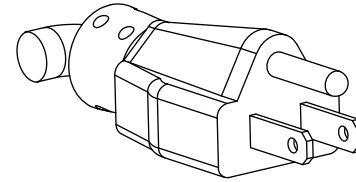
2.10 Plugging and start

To start your equipment follow the steps:

1 - Check for page with parameters inside the manual.

2 - After uncrating and placed the equipment respecting all warnings set in 2.1 chapter, and all switches are set to off position connect the equipment.

⚠ Make sure you have the correct outlet!



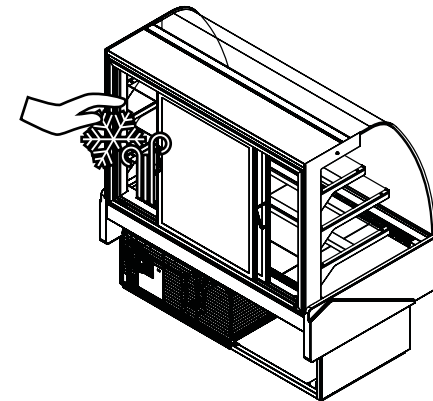
Nema-5-15P

3 - Check lights, using button referenced on chapter 2.4 If not working consult the maintenance chapter.

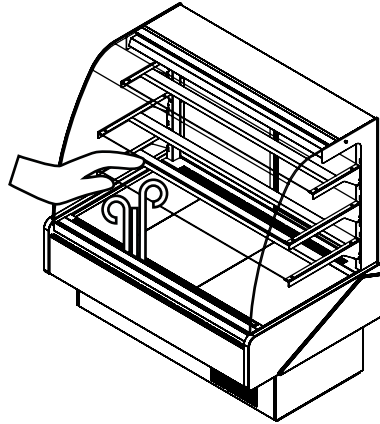
4 - Turn ON power button referenced in 2.4 chapter

⚠ Noise will be heard when compressor starts! If compressor doesn't start, call a technician!

5 - Open the door and check for air movement in the discharge air grille.



6 - Check air movement in the anti condensation system.



7 - Before loading, leave the equipment working for about 30 min.

⚠ Loading must be done respecting loading limits and weight per square foot mentioned in page 18. This equipment is intended for maintaining temperature, be sure the products are cold, and not ambient temperature.

8 - Load your KBD-Series

⚠ After loading check for any obstruction in the discharge and return air grilles.

⚠ Maintain doors closed after servicing.

9 - If any problem encountered, see troubleshooting or call a technician!

3 Refrigeration

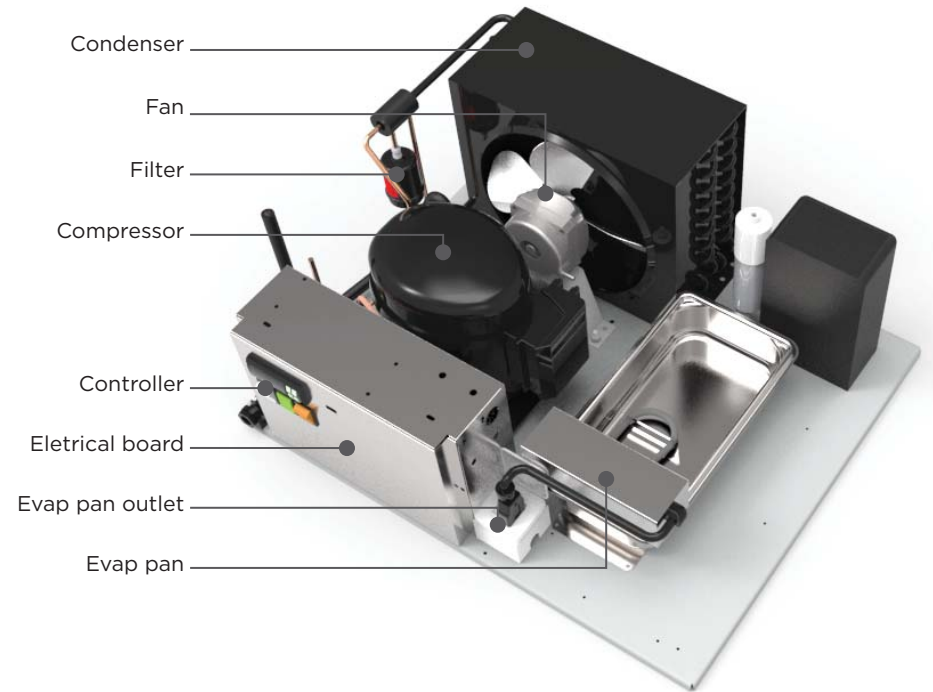
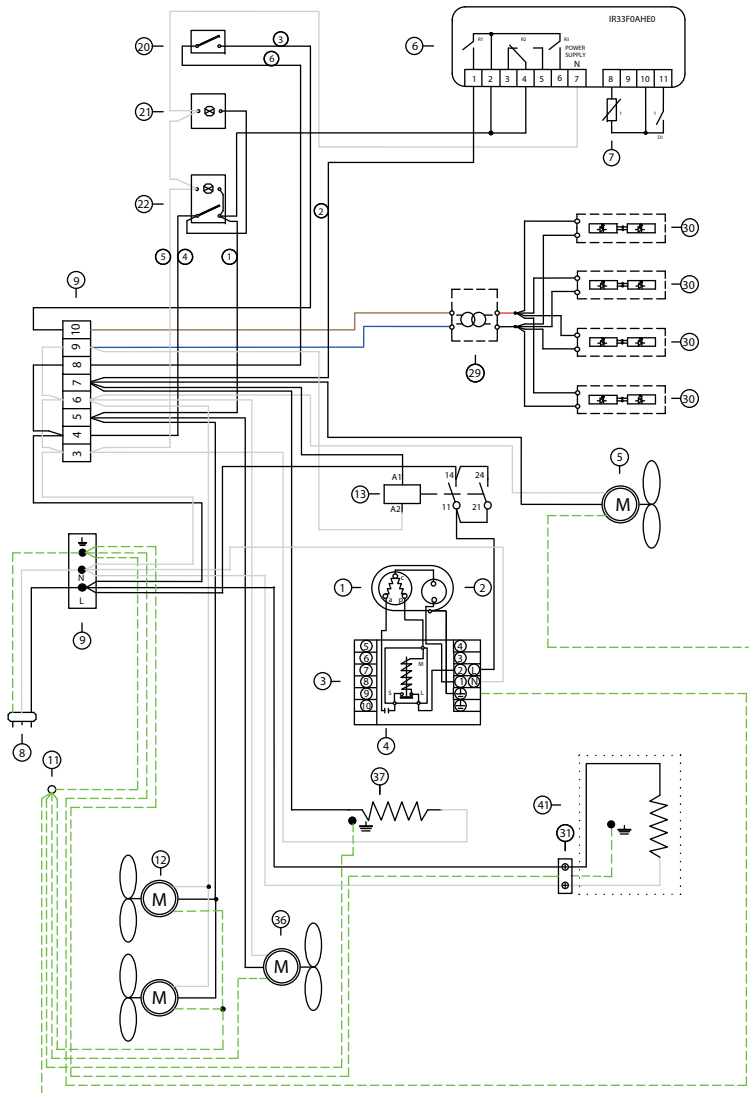
3.1 Self contained refrigeration equipment and defrost

The refrigeration equipment it's laid out in the base of the equipment.

N ^o	Discription	Number for length		
		40 Inch	50 Inch	60 Inch
1	Compressor	1	1	1
2	Overload	1	1	1
3	Relay	1	1	1
4	Start capacitor	1	1	1
5	Condenser fan	1	1	1
6	Controller	1	1	1
7	Temperature probe	1	1	1
8	Earth two pin plug	1	1	1
9	Terminal block	2	2	2
11	Ground connection	1	1	1
12	Evaporator fan	2	3	3
13	Compressor relay	1	1	1
20	Light switch	1	1	1
21	Pilot light	1	1	1
22	Switch	1	1	1
29	Transformer	1	1	1
30	Led lighting	4	4	4
31	Socket	1	1	1
36	Anti condensation system	1	1	1
37	Anti sweat heater	1	1	1
41	Evaporative condensate pan	1	1	1

4.3. Electrical diagrams

KBD-CG/FG-40/50/60-S



All self contained KBD series use the following equipment: capillary tube, finned coil ventilated systems (condenser/evaporator), hermetic compressor, electrical water evaporation system.

Model	Circuit pressure (psig)		Refrigerant and charge (OZ)	Defrost
	High side	Low side		
KBD-CG/FG-40-S	331	174	R 404A 13,5	Automatic 4/day
KBD-CG/FG-50-S	331	174	R 404A 13,5	Automatic 4/day
KBD-CG/FG-60-S	331	174	R 404A 17,63	Automatic 4/day
KBD-CG/FG-80-S	331	174	R 404A 21,16	Automatic 4/day

3.2 Refrigeration loads (remotes only)


Installation of remote equipment must be done by a qualified technician.

Model	BTU*/h	Expansion valve type
KBD-CG/FG-40-R	40x33,5x53,7	TS2 00
KBD-CG/FG-50-R	50x33,5x53,7	TS2 00
KBD-CG/FG-60-R	60x33,5x53,7	TS2 00
KBD-CG/FG-80-R	80x33,5x53,7	TS2 00

*values presented are indicative for 14°F evap, and 90°F ambient.

4 Electrical

4.1. Electrical specifications data

 Electrical data can be found on the marking plate.

Standard equipment include led lighting in all shelves and top, and anti condensation system.

115V/60Hz/1 phase-self contained amps

Model	Compressor F.L.A./L.R.A.	Lights (all shelves and top)	Fans		Evap pan	Anti condensation system		Total amps (self contained)
			EVP	CND		RST	FANS	
KBD-CG/FG-40-S	6,6/30	0,16	0,20	0,45	3,33	0,33	0,26	11,33
KBD-CG/FG-50-S	8,4/41	0,20	0,30	0,45	3,33	0,43	0,26	13,37
KBD-CG/FG-60-S	8,4/41	0,28	0,30	0,45	3,33	0,39	0,39	13,54
KBD-CG/FG-80-S	8,4/41	0,33	0,40	0,45	3,33	1,08	0,39	14,38


The data regards to standard options only.

115V/60Hz/1 phase-remote amps

Model	Total amps (remote)
KBD-CG/FG-40-R	0,82
KBD-CG/FG-50-R	1,06
KBD-CG/FG-60-R	1,10
KBD-CG/FG-80-R	2,20

The data regards to standard options only.

4.2. Electrical service receptacles (optional)

 Service receptacles are not intended nor suitable for large motors or other external appliances. Only scales and lighted displays.