

CX1 ProVector® Series Explosion-Proof Heaters

For hazardous locations heating, rely on the Ruffneck™ CX1 ProVector® for the most dependable, trouble-free service available. Thermon Heating Systems, Inc. manufactures explosion-proof air heaters to satisfy the demanding requirements of the oil and gas well drilling industry. The harsh operating conditions of this application require the utmost in heater reliability.

The unique design features and rugged, quality construction details that have made Ruffneck™ heaters the choice of the oil and gas industry are also appreciated by other heavy-duty industries throughout the world.



Features

- Available in 1-phase or 3-phase
- Available up to an industry leading 10 kW
- Sloped-top cabinet
- No exposed copper or brass
- High-velocity airflow
- 14-gauge steel cabinet, available with stainless-steel construction
- One of the shortest cabinet lengths available
- Optional built-in thermostat
- Incoloy® 840 heating elements
- Radial-embossed aluminum plate fins
- Galvanized steel mounting brackets
- Approvals - Groups A, B, C, D; IIA, IIB & IIC; available IP55 moisture ingress protection

Benefits

- Prevents objects from being set on top which restrict airflow
- Corrosion resistant, suitable for H2S environments
- Heats up area faster with better heat distribution
- Rugged reliability and unsurpassed corrosion resistance available with stainless-steel construction
- Smaller profile utilizes less wall and floor space
- Reduced field installation costs
- Longer life expectancy
- Reduced fin warping for better heat transfer capabilities
- Quick installation
- Industry first approvals for built-in thermostat with Groups A, B, C, D; IIA, IIB, IIC ratings

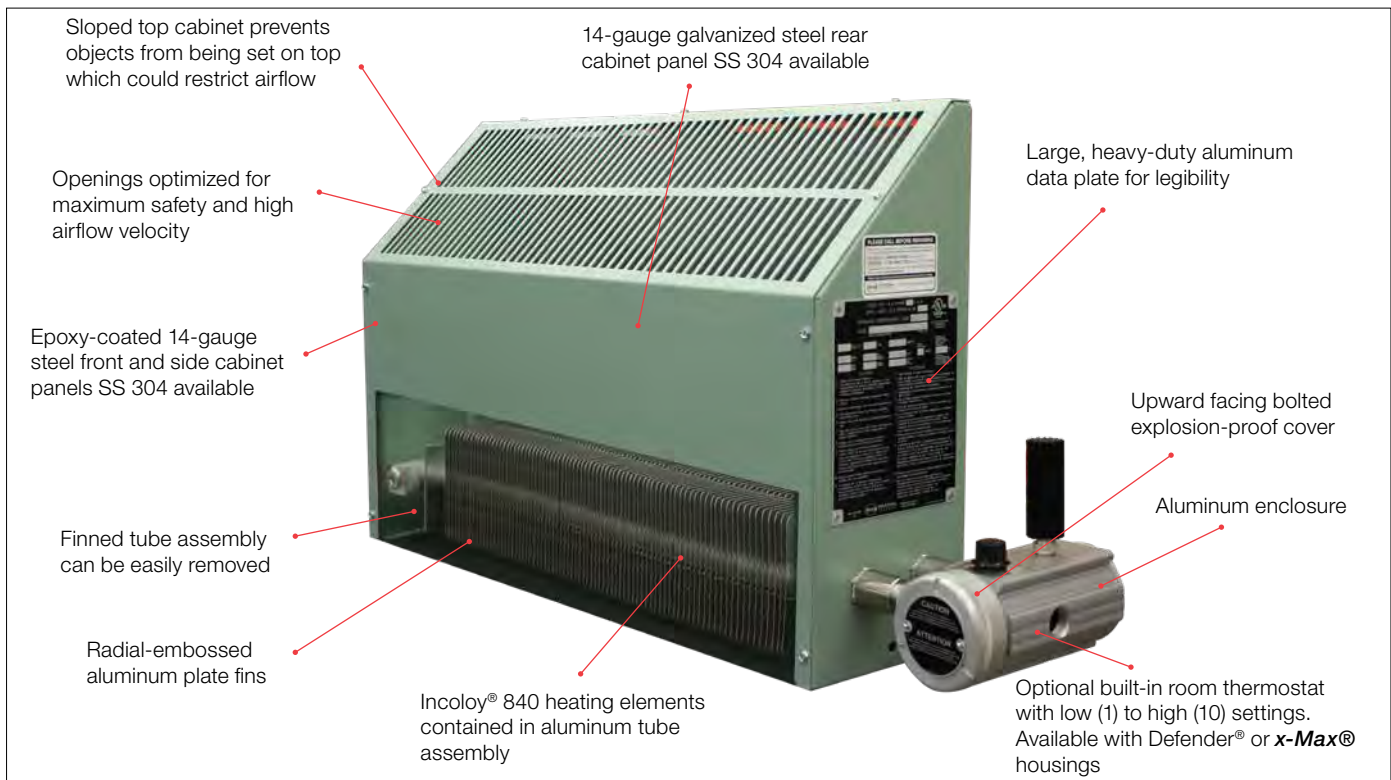
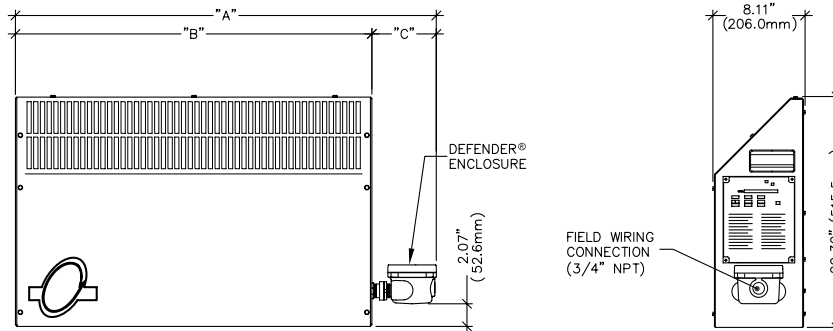


Figure 5

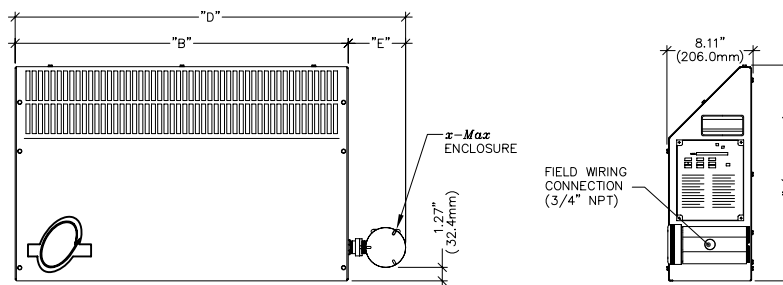
Physical Dimensions

CX1 ProVector® Physical Dimensions with Defender® Housing



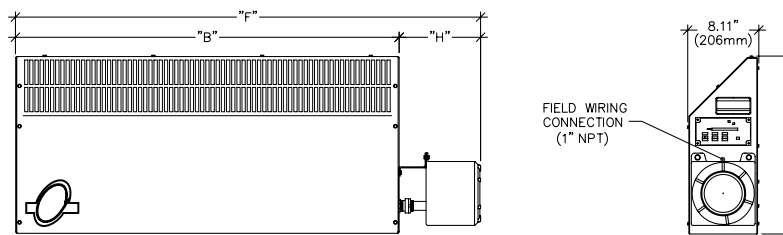
Heater kW Rating	'A' Dimension		'B' Dimension	'C' Dimension	
	w/o Extension	w/ Extension		w/o Extension	w/ Extension
	in (mm)	in (mm)	in (mm)		
0.75 – 2.69 & 3.6 (T2A)	36.9 (938)	39.0 (991)	31.34 (796)	5.6 (142)	7.7 (195)
3.01 – 3.59, 3.6 (T3) & 4.8	55.0 (1398)	57.1 (1451)	49.45 (1256)		
4.76, 5.28 – 7.6*	65.1 (1653)	67.2 (1706)	59.49 (1511)		
3.13, 3.47, 3.74, 5.0, 6.26, 6.94, 7.47 & 10.0	77.4 (1965)	79.4 (2018)	71.78 (1823)		

CX1 ProVector® Physical Dimensions with x-Max® Housing



Heater kW Rating	'D' Dimension			'B' Dimension	'E' Dimension		
	1Ø w/o Extension	1Ø** w/ Extension	3Ø Units		in (mm)	w/o Extension	w/ Extension
	in (mm)	in (mm)	in (mm)	in (mm)	in (mm)	in (mm)	in (mm)
0.75 – 2.69 & 3.6 (T2A)	37.6 (954)	39.6 (1007)	38.3 (973)	31.34 (796)	6.2 (158)	8.3 (211)	7.0 (177)
3.01 – 3.59, 3.6 (T3) & 4.8	55.7 (1414)	57.8 (1467)	56.4 (1433)	49.45 (1256)			
4.76, 5.28 – 7.6*	65.7 (1669)	67.8 (1722)	66.5 (1688)	59.49 (1511)			
3.13, 3.47, 3.74, 5.0, 6.26, 6.94, 7.47 & 10.0	78.0 (1981)	80.1 (2034)	78.7 (2000)	71.78 (1823)			

CX1 ProVector® Physical Dimensions with FX4 Housing



Heater kW Rating	'F' Dimension		'B' Dimension	'H' Dimension	
	w/o Extension	w/ Extension		w/o Extension	w/ Extension
	in (mm)	in (mm)	in (mm)		
7.6 kW, 208, 3Ø and 10 kW, 208 V, & 277 V, 3Ø units	81.1 (2060)	N/A	71.77 (1823)	9.3 (236)	N/A

Table 14 – CX1 Technical Data - 1 Phase

Model	kW (Btu/hr)	Unit Voltage	Gas Group				Supply Wire Size ***	Unit Current	Max. Circuit Fuse*	Cabinet Length	Temperature Code
			IIB + H2	IIB	IIC						
			w/o T'stat	w/ T'stat	w/o T'stat	w/ T'stat					
V	AWG	A	A	in (mm)							
CX1-120160-012-T3	1.2 (4095)	120	✓	✓	✓	14	10.0	15	31.3 (796)	T3 (200)	
CX1-120160-018-T3	1.8 (6142)	120	✓	✓	✓	12	15.0	20	31.3 (796)	T3 (200)	
CX1-208160-012-T3	1.2 (4095)	208	✓	✓	✓	14	5.8	15	31.3 (796)	T3 (200)	
CX1-208160-018-T3	1.8 (6142)	208	✓	✓	✓	14	8.7	15	31.3 (796)	T3 (200)	
CX1-208160-036-T3**	3.6 (12284)	208	✓	✓	✓	10	17.3	25	49.5 (1256)	T3 (200)	
CX1-208160-048-T2A	4.8 (16378)	208	N/A	✓	✓	10	23.1	30	49.5 (1256)	T2A (280)	
CX1-208160-050-T3	5.0 (17060)	208	N/A	✓	✓	10	24.0	30	71.8 (1823)	T3 (200)	
CX1-208160-076-T2A	7.6 (25932)	208	N/A	✓	N/A	8	36.5	50	59.5 (1511)	T2A (280)	
CX1-240160-012-T3	1.2 (4095)	240	✓	✓	✓	14	5.0	15	31.3 (796)	T3 (200)	
CX1-240160-018-T3	1.8 (6142)	240	✓	✓	✓	14	7.5	15	31.3 (796)	T3 (200)	
CX1-240160-036-T3**	3.6 (12284)	240	✓	✓	✓	12	15.0	20	49.5 (1256)	T3 (200)	
CX1-240160-048-T2A	4.8 (16378)	240	✓	✓	✓	10	20.0	25	49.5 (1256)	T2A (280)	
CX1-240160-050-T3	5.0 (17060)	240	✓	✓	✓	10	20.8	30	71.8 (1823)	T3 (200)	
CX1-240160-076-T2A	7.6 (25932)	240	N/A	✓	N/A	8	31.7	40	59.5 (1511)	T2A (280)	
CX1-277160-012-T3	1.2 (4095)	277	✓	✓	✓	14	4.3	15	31.3 (796)	T3 (200)	
CX1-277160-018-T3	1.8 (6142)	277	✓	✓	✓	14	6.5	15	31.3 (796)	T3 (200)	
CX1-277160-036-T3**	3.6 (12284)	277	✓	✓	✓	12	13.0	20	49.5 (1256)	T3 (200)	
CX1-277160-048-T2A	4.8 (16378)	277	✓	✓	✓	10	17.3	25	49.5 (1256)	T2A (280)	
CX1-277160-050-T3	5.0 (17060)	277	✓	✓	✓	10	18.1	25	71.8 (1823)	T3 (200)	
CX1-277160-076-T2A	7.6 (25932)	277	N/A	✓	N/A	8	27.4	35	59.5 (1511)	T2A (280)	
CX1-380160-0075-T3	0.75 (2560)	380	✓	+	+	14	2.0	15	31.3 (796)	T3 (200)	
CX1-380160-0113-T3	1.13 (3856)	380	✓	+	+	14	3.0	15	31.3 (796)	T3 (200)	
CX1-380160-012-T3	1.2 (4095)	380	✓	✓	✓	14	3.2	15	31.3 (796)	T3 (200)	
CX1-380160-018-T3	1.8 (6142)	380	✓	✓	✓	14	4.7	15	31.3 (796)	T3 (200)	
CX1-380160-0226-T2A	2.26 (7711)	380	✓	+	+	14	5.9	15	31.3 (796)	T2A (280)	
CX1-380160-0301-T3	3.01 (10271)	380	✓	+	+	14	7.9	15	49.5 (1256)	T3 (200)	
CX1-380160-0313-T3	3.13 (10680)	380	✓	+	+	14	8.2	15	71.8 (1823)	T3 (200)	
CX1-380160-036-T3**	3.6 (12284)	380	✓	✓	✓	14	9.5	15	49.5 (1256)	T3 (200)	
CX1-380160-0476-T2A	4.76 (16241)	380	✓	+	+	12	12.5	20	59.5 (1511)	T2A (280)	
CX1-380160-048-T2A	4.8 (16378)	380	✓	✓	✓	12	12.6	20	49.5 (1256)	T2A (280)	
CX1-380160-050-T3	5.0 (17060)	380	✓	✓	✓	12	13.2	20	71.8 (1823)	T3 (200)	
CX1-380160-0626-T2A	62.6 (21360)	380	✓	✓	N/A	10	16.5	25	71.8 (1823)	T2A (280)	
CX1-380160-076-T2A	7.6 (25932)	380	✓	✓	N/A	10	20.0	25	59.5 (1511)	T2A (280)	
CX1-380160-100-T2A	10.0 (34121)	380	N/A	✓	N/A	8	26.3	35	71.8 (1823)	T2A (280)	
CX1-400160-0083-T3	0.83 (2832)	400	✓	+	+	14	2.1	15	31.3 (796)	T3 (200)	
CX1-400160-012-T3	1.2 (4095)	400	✓	✓	✓	14	3.0	15	31.3 (796)	T3 (200)	
CX1-400160-0125-T3	1.25 (4565)	400	✓	+	+	14	3.1	15	31.3 (796)	T3 (200)	
CX1-400160-018-T3	1.8 (6142)	400	✓	✓	✓	14	4.5	15	31.3 (796)	T3 (200)	

Notes

- * Or equivalent breaker as per local electrical inspection authority requirements.
 - ** For 3.6 kW heaters rated T3 cabinet length is 49.5" (1256 mm). 3.6 kW heaters rated T2A cabinet length is 31.3" (796 mm).
 - *** Ensure supply wire size adheres to applicable local and national electrical codes.
 - + Available in 50 Hz only.
1. Heater is functioning normally if, at rated voltage, the current draw is within 10% of the value in this table.
 2. Operation at lower voltages that rated will result in reduced output and current draw.
Actual Output (kW) = [(Supply Voltage)² ÷ (Rated Voltage)²] × Rated Unit Wattage (kW)
 3. Add suffix "T" for optional built-in thermostat. Thermostat not available on IIB+H2 models.
 4. Add suffix "H" for high-temperature ambient storage option. High temperature storage option is not available with thermostat option. Not available on IIB models.
 5. For IIB model with Defender® built-in thermostat - Class I, Div. 1 & 2, Groups C & D; Zones 1 & 2, Groups IIA and IIB.
 6. For IIC model with XT built-in thermostat - Class I, Div. 1 & 2, Groups A,B,C & D; Zones 1 & 2, Groups IIA, IIB, IIC.
 7. IIC Grouping units come with **x-Max**® housing.
 8. Remote mounted, Defender, explosion-proof room thermostats are not suitable for Group B & IIC applications.
 9. Remote contactors are required on all 600 V heaters, and heaters with a current draw greater than 22 amps (supplied & installed by others), when utilizing XT-311 remote thermostat.
 10. Temperature code ratings: T2A - 280°C (536°F), T3 - 200°C (392°F)

Table 14 – CX1 Technical Data - 1 Phase (cont'd)

Model	kW (Btu/hr)	Unit Voltage	Gas Group				Supply Wire Size ***	Unit Current	Max. Circuit Fuse*	Cabinet Length	Temperature Code
			IIB + H2	IIB	IIC						
			w/o T'stat	w/ T'stat	w/o T'stat	w/ T'stat					
CX1-400160-025-T2A	2.5 (8530)	400		✓	+	+	14	6.3	15	31.3 (796)	T2A (280)
CX1-400160-0333-T3	3.33 (11362)	400		✓	+	+	14	8.3	15	49.5 (1256)	T3 (200)
CX1-400160-0347-T3	3.47 (11840)	400		✓	✓	✓	14	8.7	15	71.8 (1823)	T3 (200)
CX1-400160-036-T3**	3.6 (12284)	400		✓	✓	✓	14	9.0	15	49.5 (1256)	T3 (200)
CX1-400160-048-T2A	4.8 (16378)	400		✓	✓	✓	14	12.0	15	49.5 (1256)	T2A (280)
CX1-400160-050-T3	5.0 (17060)	400		✓	✓	✓	12	12.5	20	71.8 (1823)	T3 (200)
CX1-400160-0528-T2A	5.28 (18016)	400		✓	+	+	12	13.2	20	59.5 (1511)	T2A (280)
CX1-400160-0694-T3	6.94 (23680)	400		✓	✓	N/A	10	17.4	25	71.8 (1823)	T3 (200)
CX1-400160-076-T2A	7.6 (25932)	400		✓	✓	N/A	10	19.0	30	59.5 (1511)	T2A (280)
CX1-400160-100-T2A	10.0 (34121)	400		N/A	✓	N/A	8	25.0	35	71.8 (1823)	T2A (280)
CX1-415160-009-T3	0.9 (3071)	415		✓	+	+	14	2.2	15	31.3 (796)	T3 (200)
CX1-415160-012-T3	1.2 (4095)	415		✓	✓	✓	14	2.9	15	31.3 (796)	T3 (200)
CX1-415160-0135-T3	1.35 (4606)	415		✓	+	+	14	3.3	15	31.3 (796)	T3 (200)
CX1-415160-018-T3	1.8 (6142)	415		✓	✓	✓	14	4.3	15	31.3 (796)	T3 (200)
CX1-415160-0269-T2A	2.69 (9179)	415		✓	+	+	14	6.5	15	31.3 (796)	T2A (280)
CX1-415160-0359-T3	3.59 (12250)	415		✓	+	+	14	8.7	15	49.5 (1256)	T3 (200)
CX1-415160-036-T3**	3.6 (12284)	415		✓	✓	✓	14	8.7	15	49.5 (1256)	T3 (200)
CX1-415160-0374-T3	3.74 (12761)	415		✓	✓	✓	14	9.0	15	71.8 (1823)	T3 (200)
CX1-415160-048-T2A	4.8 (16378)	415	✓	✓	✓	✓	14	11.6	15	49.5 (1256)	T2A (280)
CX1-415160-050-T3	5.0 (17060)	415		✓	✓	✓	14	12.0	15	71.8 (1823)	T3 (200)
CX1-415160-0568-T2A	5.68 (19381)	415		✓	+	+	12	13.7	20	59.5 (1511)	T2A (280)
CX1-415160-0747-T2A	7.47 (25488)	415		✓	✓	N/A	10	18.0	25	71.8 (1823)	T2A (280)
CX1-415160-076-T2A	7.6 (25932)	415		✓	✓	N/A	10	18.3	25	59.5 (1511)	T2A (280)
CX1-415160-100-T2A	10.0 (34121)	415		N/A	✓	N/A	8	24.1	35	71.8 (1823)	T2A (280)
CX1-480160-012-T3	1.2 (4095)	480		✓	✓	✓	14	2.5	15	31.3 (796)	T3 (200)
CX1-480160-018-T3	1.8 (6142)	480		✓	✓	✓	14	3.8	15	31.3 (796)	T3 (200)
CX1-480160-036-T3**	3.6 (12284)	480		✓	✓	✓	14	7.5	15	49.5 (1256)	T3 (200)
CX1-480160-048-T2A	4.8 (16378)	480		✓	✓	✓	14	10.0	15	49.5 (1256)	T2A (280)
CX1-480160-050-T3	5.0 (17060)	480		✓	✓	✓	14	10.4	15	71.8 (1823)	T3 (200)
CX1-480160-076-T2A	7.6 (25932)	480		✓	✓	N/A	12	15.8	20	59.5 (1511)	T2A (280)
CX1-480160-100-T2A	10.0 (34121)	480		✓	✓	N/A	10	20.8	30	71.8 (1823)	T2A (280)
CX1-600160-012-T3	1.2 (4095)	600		N/A	✓	✓	14	2.0	15	31.3 (796)	T3 (200)
CX1-600160-018-T3	1.8 (6142)	600		N/A	✓	✓	14	3.0	15	31.3 (796)	T3 (200)
CX1-600160-036-T3**	3.6 (12284)	600		N/A	✓	✓	14	6.0	15	49.5 (1256)	T3 (200)
CX1-600160-048-T2A	4.8 (16378)	600		N/A	✓	✓	14	8.0	15	49.5 (1256)	T2A (280)
CX1-600160-050-T3	5.0 (17060)	600		N/A	✓	✓	14	8.3	15	71.8 (1823)	T3 (200)
CX1-600160-076-T2A	7.6 (25932)	600		N/A	✓	✓	12	12.7	20	59.5 (1511)	T2A (280)
CX1-600160-100-T2A	10.0 (34121)	600		N/A	✓	N/A	10	16.7	25	71.8 (1823)	T2A (280)

Notes

- * Or equivalent breaker as per local electrical inspection authority requirements.
- ** For 3.6 kW heaters rated T3 cabinet length is 49.5" (1256 mm). 3.6 kW heaters rated T2A cabinet length is 31.3" (796 mm).
- *** Ensure supply wire size adheres to applicable local and national electrical codes.
- + Available in 50 Hz only.
- 1. Heater is functioning normally if, at rated voltage, the current draw is within 10% of the value in this table.
- 2. Operation at lower voltages that rated will result in reduced output and current draw.
Actual Output (kW) = [(Supply Voltage)² ÷ (Rated Voltage)²] × Rated Unit Wattage (kW)
- 3. Add suffix "T" for optional built-in thermostat. Thermostat not available on IIB+H2 models.
- 4. Add suffix "H" for high-temperature ambient storage option. High temperature storage option is not available with thermostat option. Not available on IIB models.
- 5. For IIB model with Defender® built-in thermostat - Class I, Div. 1 & 2, Groups C & D; Zones 1 & 2, Groups IIA and IIB.
- 6. For IIC model with XT built-in thermostat - Class I, Div. 1 & 2, Groups A,B,C & D; Zones 1 & 2, Groups IIA, IIB, IIC.
- 7. IIC Grouping units come with **x-Max**® housing.
- 8. Remote mounted, Defender, explosion-proof room thermostats are not suitable for Group B & IIC applications.
- 9. Remote contactors are required on all 600 V heaters, and heaters with a current draw greater than 22 amps (supplied & installed by others), when utilizing XT-311 remote thermostat.
- 10. Temperature code ratings: T2A - 280°C (536°F), T3 - 200°C (392°F)

Table 15 – CX1 Technical Data - 3 Phase

Model	kW (Btu/hr)	Unit Voltage	Gas Group				Supply Wire Size ***	Unit Current	Max. Circuit Fuse*	Cabinet Length	Temperature Code
			IIB + H2	IIB	IIC						
			V	w/o T'stat	w/ T'stat	w/o T'stat					
CX1-208360-012-T3	1.2 (4095)	208	✓		✓	✓	14	3.3	15	31.3 (796)	T3 (200)
CX1-208360-018-T3	1.8 (6142)	208	✓		✓	✓	14	5.0	15	31.3 (796)	T3 (200)
CX1-208360-036-T3**	3.6 (12284)	208	✓		✓	✓	12	10.0	15	49.5 (1256)	T3 (200) T2A (280)
CX1-208360-048-T2A	4.8 (16378)	208	✓		✓	✓	10	13.3	20	49.5 (1256)	T2A (280)
CX1-208360-050-T3	5.0 (17060)	208	✓		✓	✓	10	13.9	20	71.8 (1823)	T3 (200)
CX1-208360-076-T2A	7.6 (25932)	208	•		N/A	N/A	10	21.1	30	59.5 (1511)	T2A (280)
CX1-208360-100-T2A	10.0 (34121)	208	•		N/A	N/A	8	27.8	35	71.8 (1823)	T2A (280)
CX1-240360-012-T3	1.2 (4095)	240	✓		✓	✓	14	2.9	15	31.3 (796)	T3 (200)
CX1-240360-018-T3	1.8 (6142)	240	✓		✓	✓	14	4.3	15	31.3 (796)	T3 (200)
CX1-240360-036-T3**	3.6 (12284)	240	✓		✓	✓	14	8.7	15	49.5 (1256)	T3 (200) T2A (280)
CX1-240360-048-T2A	4.8 (16378)	240	✓		✓	✓	12	11.5	20	49.5 (1256)	T2A (280)
CX1-240360-050-T3	5.0 (17060)	240	✓		✓	✓	14	12.0	15	71.8 (1823)	T3 (200)
CX1-240360-076-T2A	7.6 (25932)	240	✓		✓	✓	10	18.3	25	59.5 (1511)	T2A (280)
CX1-240360-100-T2A	10.0 (34121)	240	•		N/A	N/A	8	24.1	35	71.8 (1823)	T2A (280)
CX1-277360-012-T3	1.2 (4095)	277	✓		✓	✓	14	2.5	15	31.3 (796)	T3 (200)
CX1-277360-018-T3	1.8 (6142)	277	✓		✓	✓	14	3.8	15	31.3 (796)	T3 (200)
CX1-277360-036-T3**	3.6 (12284)	277	✓	N/A	✓	✓	14	7.5	15	49.5 (1256)	T3 (200) T2A (280)
CX1-277360-048-T2A	4.8 (16378)	277	✓		✓	✓	14	10.0	15	49.5 (1256)	T2A (280)
CX1-277360-050-T3	5.0 (17060)	277	✓		✓	✓	14	10.4	15	71.8 (1823)	T3 (200)
CX1-277360-076-T2A	7.6 (25932)	277	✓		✓	✓	12	15.8	20	59.5 (1511)	T2A (280)
CX1-277360-100-T2A	10.0 (34121)	277	•		N/A	N/A	10	20.8	30	71.8 (1823)	T2A (280)
CX1-380360-0113-T3	1.13 (3856)	380	✓		+	+	14	1.7	15	31.3 (796)	T3 (200)
CX1-380360-0226-T2A	2.26 (7711)	380	✓		+	+	14	3.4	15	31.3 (796)	T2A (280)
CX1-380360-0301-T3	3.01 (10271)	380	✓		+	+	14	4.6	15	49.5 (1256)	T3 (200)
CX1-380360-0313-T3	3.13 (10680)	380	✓		+	+	14	4.8	15	71.8 (1823)	T3 (200)
CX1-380360-0476-T2A	4.76 (16241)	380	✓		+	+	14	7.2	15	59.5 (1511)	T2A (280)
CX1-380360-050-T3	5.0 (17060)	380	✓		✓	✓	14	7.6	15	71.8 (1823)	T3 (200)
CX1-380360-0626-T2A	6.26 (21360)	380	✓		✓	✓	14	9.5	15	71.8 (1823)	T2A (280)
CX1-380360-100-T2A	10.0 (34121)	380	✓		✓	✓	12	15.2	20	71.8 (1823)	T2A (280)
CX1-400360-0125-T3	1.25 (4565)	400	✓		+	+	14	1.8	15	31.3 (796)	T3 (200)
CX1-400360-025-T2A	2.5 (8530)	400	✓		+	+	14	3.6	15	31.3 (796)	T2A (280)
CX1-400360-0333-T3	3.33 (11362)	400	✓		+	+	14	4.8	15	49.5 (1256)	T3 (200)
CX1-400360-0347-T3	3.47 (11840)	400	✓		✓	✓	14	5.0	15	71.8 (1823)	T3 (200)

Notes

- * Or equivalent breaker as per local electrical inspection authority requirements.
 - ** For 3.6 kW heaters rated T3 cabinet length is 49.5" (1256 mm). 3.6 kW heaters rated T2A cabinet length is 31.3" (796 mm).
 - *** Ensure supply wire size adheres to applicable local and national electrical codes.
 - + Available in 50 Hz only
 - Available for IIB only.
1. Heater is functioning normally if, at rated voltage, the current draw is within 10% of the value in this table.
 2. Operation at lower voltages that rated will result in reduced output and current draw.
 3. Actual Output (kW) = [(Supply Voltage)² ÷ (Rated Voltage)²] × Rated Unit Wattage (kW)
 4. Add suffix "T" for optional built-in thermostat. Thermostat not available on IIB+H2 models.

5. Add suffix "H" for high-temperature ambient storage option. High temperature storage option is not available with thermostat option. Not available on IIB models.
6. For IIB model with Defender® built-in thermostat - Class I, Div. 1 & 2, Groups C & D; Zones 1 & 2, Groups IIA and IIB.
7. For IIC model with XT built-in thermostat - Class I, Div. 1 & 2, Groups A,B,C & D; Zones 1 & 2, Groups IIA, IIB, IIC.
8. IIC Grouping units come with **x-Max**® housing.
9. Remote mounted, Defender®, explosion-proof room thermostats are not suitable for Group B & IIC applications.
10. Remote contactors are required on all 600 V heaters, and heaters with a current draw greater than 22 amps (supplied & installed by others), when utilizing XT-311 remote thermostat.
11. Temperature code ratings: T2A - 280°C (536°F), T3 - 200°C (392°F)

Table 15 – CX1 Technical Data - 3 Phase (cont'd)

Model	kW (Btu/hr)	Unit Voltage	Gas Group				Supply Wire Size ***	Unit Current	Max. Circuit Fuse*	Cabinet Length	Temperature Code	
			IIB + H2	IIB	IIC							
			V	w/o T'stat	w/ T'stat	w/o T'stat						w/ T'stat
CX1-400360-050-T3	5.0 (17060)	400	✓			✓	✓	14	7.2	15	71.8 (1823)	T3 (200)
CX1-400360-0528-T2A	5.28 (18016)	400	✓			+	+	14	7.6	15	59.5 (1511)	T2A (280)
CX1-400360-0694-T2A	6.94 (23680)	400	✓			✓	✓	14	1.0	15	71.8 (1823)	T3 (200)
CX1-400360-100-T2A	10.0 (34121)	400	✓			✓	✓	12	14.4	20	71.8 (1823)	T2A (280)
CX1-415360-0135-T3	1.35 (4606)	415	✓			+	+	14	1.9	15	31.3 (796)	T3 (200)
CX1-415360-0269-T2A	2.69 (9179)	415	✓			+	+	14	3.7	15	31.3 (796)	T2A (280)
CX1-415360-0359-T3	3.59 (12250)	415	✓			+	+	14	5.0	15	49.5 (1256)	T3 (200)
CX1-415360-0374-T3	3.74 (12761)	415	✓			✓	✓	14	5.2	15	71.8 (1823)	T3 (200)
CX1-415360-050-T3	5.0 (17060)	415	✓			✓	✓	14	7.0	15	71.8 (1823)	T3 (200)
CX1-415360-0568-T2A	5.68 (19381)	415	✓			+	+	14	7.9	15	59.5 (1511)	T2A (280)
CX1-415360-0747-T2A	7.47 (25488)	415	✓			✓	✓	14	10.4	15	71.8 (1823)	T2A (280)
CX1-415360-100-T2A	10.0 (34121)	415	✓			✓	✓	12	13.9	20	71.8 (1823)	T2A (280)
CX1-480360-018-T3	1.8 (6142)	480	✓	N/A		✓	✓	14	2.2	15	31.3 (796)	T3 (200)
CX1-480360-036-T3**	3.6 (12284)	480	✓			✓	✓	14	4.3	15	49.5 (1256)	T3 (200)
												T2A (280)
CX1-480360-048-T2A	4.8 (16378)	480	✓			✓	✓	14	5.8	15	49.5 (1256)	T2A (280)
CX1-480360-050-T3	5.0 (17060)	480	✓			✓	✓	14	6.0	15	71.8 (1823)	T3 (200)
CX1-480360-076-T2A	7.6 (25932)	480	✓			✓	✓	14	9.1	15	59.5 (1511)	T2A (280)
CX1-480360-100-T2A	10.0 (34121)	480	✓			✓	✓	14	12.0	15	71.8 (1823)	T2A (280)
CX1-600360-036-T3**	3.6 (12284)	600	✓			✓	✓	14	3.5	15	49.5 (1256)	T3 (200)
												T2A (280)
CX1-600360-048-T2A	4.8 (16378)	600	✓			✓	✓	14	4.6	15	49.5 (1256)	T2A (280)
CX1-600360-050-T3	5.0 (17060)	600	✓			✓	✓	14	4.8	15	71.8 (1823)	T3 (200)
CX1-600360-076-T2A	7.6 (25932)	600	✓			✓	✓	14	7.3	15	59.5 (1511)	T2A (280)
CX1-600360-100-T2A	10.0 (34121)	600	✓			✓	✓	14	9.6	15	71.8 (1823)	T2A (280)

Notes

* Or equivalent breaker as per local electrical inspection authority requirements.

** For 3.6 kW heaters rated T3 cabinet length is 49.5" (1256 mm), 3.6 kW heaters rated T2A cabinet length is 31.3" (796 mm).

*** Ensure supply wire size adheres to applicable local and national electrical codes.

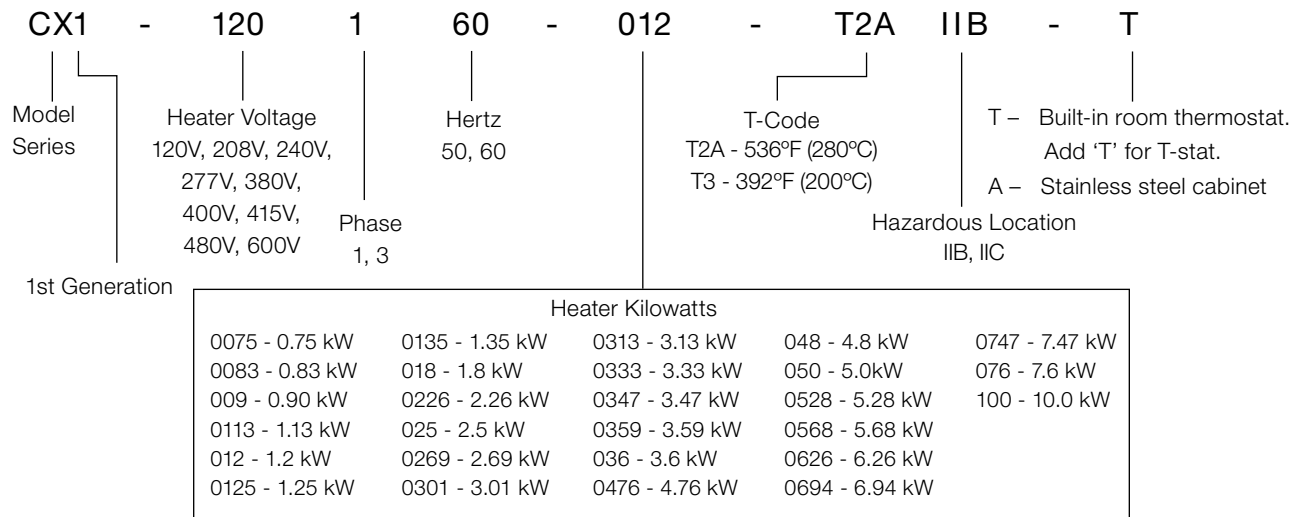
+ Available in 50 Hz only

• Available for IIB only.

1. Heater is functioning normally if, at rated voltage, the current draw is within 10% of the value in this table.
2. Operation at lower voltages that rated will result in reduced output and current draw.
3. Actual Output (kW) = [(Supply Voltage)² ÷ (Rated Voltage)²] × Rated Unit Wattage (kW)
4. Add suffix "T" for optional built-in thermostat. Thermostat not available on IIB+H2 models.

5. Add suffix "H" for high-temperature ambient storage option. High temperature storage option is not available with thermostat option. Not available on IIB models.
6. For IIB model with Defender® built-in thermostat - Class I, Div. 1 & 2, Groups C & D; Zones 1 & 2, Groups IIA and IIB.
7. For IIC model with XT built-in thermostat - Class I, Div. 1 & 2, Groups A,B,C & D; Zones 1 & 2, Groups IIA, IIB, IIC.
8. IIC Grouping units come with **x-Max**® housing.
9. Remote mounted, Defender®, explosion-proof room thermostats are not suitable for Group B & IIC applications.
10. Remote contactors are required on all 600 V heaters, and heaters with a current draw greater than 22 amps (supplied & installed by others), when utilizing XT-311 remote thermostat.
11. Temperature code ratings: T2A - 280°C (536°F), T3 - 200°C (392°F)

Model Coding



Reminder: This nomenclature illustration is intended primarily to explain how a product part number is defined. Not all voltage and/or wattage combinations are available - please consult the Performance Data chart(s) for product availability.