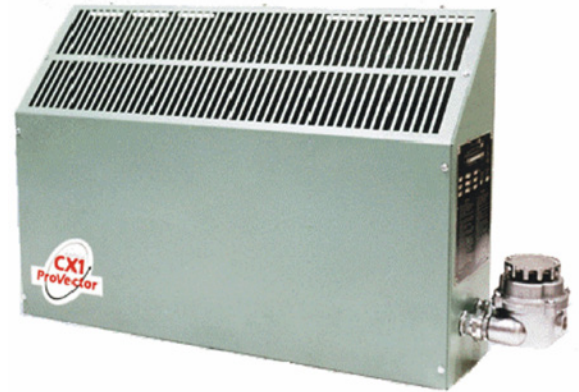


WARNING! Read all important information notices on page 3. Please adhere to instruction published in this manual. Failure to do so may be dangerous and may void certain provisions of your warranty.

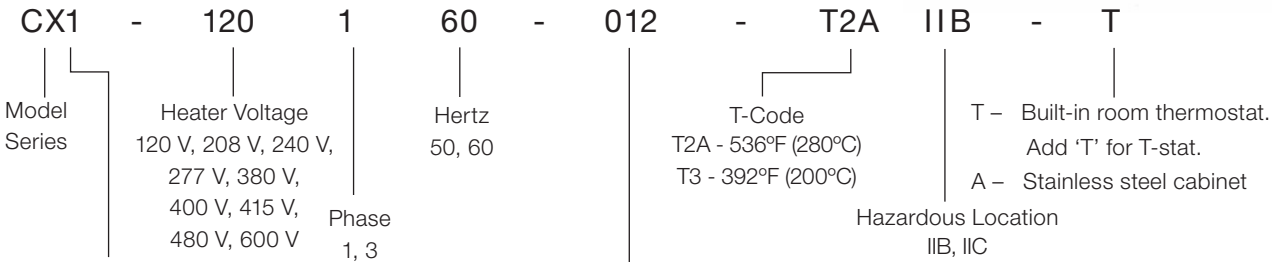
Electric Convection Air Heaters for Hazardous Locations

CX1 ProVector® Series

Installation, Operation, & Maintenance Instructions



Model Coding



1st Generation

Heater Kilowatts				
0075 - 0.75 kW	0135 - 1.35 kW	0313 - 3.13 kW	048 - 4.8 kW	0747 - 7.47 kW
0083 - 0.83 kW	018 - 1.8 kW	0333 - 3.33 kW	050 - 5.0kW	076 - 7.6 kW
009 - 0.90 kW	0226 - 2.26 kW	0347 - 3.47 kW	0528 - 5.28 kW	100 - 10.0 kW
0113 - 1.13 kW	025 - 2.5 kW	0359 - 3.59 kW	0568 - 5.68 kW	
012 - 1.2 kW	0269 - 2.69 kW	036 - 3.6 kW	0626 - 6.26 kW	
0125 - 1.25 kW	0301 - 3.01 kW	0476 - 4.76 kW	0694 - 6.94 kW	

Reminder: This nomenclature illustration is intended primarily to explain how a product part number is defined. Not all voltages and/or wattage combinations are available. Please consult the Performance Data chart(s) for product availability.

Approved Locations

Electric convection air heaters are cULus listed for the following hazardous locations:

(without built-in thermostat)

- Class I, Div. 1 & 2, Groups A, B, C & D
- Class I, Zones 1 & 2, Groups IIA, IIB, IIC
- Temperature Code T2A 536°F (280°C), T3 392°F (200°C)

(with built-in thermostat)

- Class I, Div. 1 & 2, Groups A, B, C & D
- Class I, Zones 1 & 2, Groups IIA, IIB, IIC
- Temperature Code T2A 536°F (280°C), T3 392°F (200°C)

For details of hazardous locations with potential for explosion, refer to the Canadian Electrical Code, Part 1, Section 18 or National Electrical Code Articles 500 - 516.

TABLE OF CONTENTS

A. Heater Maintenance Checklist	3
A.1 Periodic	3
A.2 Annual.....	3
B. Important Notices	4
C. Installation	4
C.1 Mechanical.....	4
C.2 Electrical	7
D. Specifications	8
E. Parts Diagram	9
F. Parts List	10
G. Repair & Replacement	11
G.1 Finned Tube/Element Assembly	11
G.2 Cabinet Panels and Brackets.....	11
H. CX1 Technical Data	12
H.1 1-Phase.....	12
H.2 3-Phase	14

A. HEATER MAINTENANCE CHECKLIST



WARNING. Disconnect heater from the power supply before opening enclosures or servicing heater.

Lock the switch in the **"OFF"** (open) position and/or tag the switch to prevent unexpected power application. For heaters marked "IIC", ensure to loosen the setscrew before removing the cover.

This heater should only be serviced by personnel with heating and hazardous location equipment experience.

Heater Model _____ Date of Maintenance _____

Serial Number _____ Maintenance Done By _____

Comments _____

A.1 Periodic (before and as required during heating season)

- **Clean**
 - Finned Tubes
 - Cabinet top and below unit
 - Remove dust using compressed air. Do not spray with water or solvents. Do not immerse in water or solvents
- **Check**
 - All explosion-proof covers for tightness.

A.2 Annual (before heating season)

- **Mechanical Check**
 - Check all enclosures. Inside of enclosures must be clean, dry, and free of foreign materials. Enclosure joints are metal to metal. Do not use gasket material or sealant in joints.
 - Check the tightness of all hardware. All nuts and bolts must be tight.
 - Turn heater on for a minimum of five minutes. Check for warm air exiting heater through top vents.
- **Electrical Check**
 - Check all terminal connections and conductors. Tighten loose connections. Conductors with damaged insulation must be replaced.
 - Check all explosion-proof conduits. Replace damaged conduits, unions, and plugs. Ensure 5 turns of engagement on all threaded connections.

Ruffneck™

Heaters for the Harshest Environments

For assistance, please call
Toll Free: 1-800-661-8529 (24 hrs)
U.S. & Canada

B. IMPORTANT NOTICES



WARNING. Read and adhere to the following installation instructions. FAILURE TO DO SO MAY RESULT IN SEVERE OR FATAL INJURY AND/OR POSSIBLE VOIDING OF THE WARRANTY.

1. Read and follow all instructions in this manual.
2. Heater is to be used only in atmospheres having an ignition temperature higher than the heater's maximum rated operating temperature, as shown on the heater data plate. Refer to applicable electrical codes for additional information.
3. Heater to be used only in the hazardous locations indicated on the heater data plate.
4. Heater is for dry, indoor use only. Do not immerse in water. Do not store or use in areas exposed to rain or snow.
5. Maximum ambient operating temperature 104°F (40°C).
6. Heater is to be connected and serviced only by a qualified electrician experienced with hazardous location equipment.
7. Installation and wiring of the heater must adhere to all applicable codes.
8. Before opening any enclosures, disconnect the heater from the power supply. Lock the switch in the "OFF" (open) position and/or tag the switch to prevent unexpected power application.
9. External surfaces get hot and can cause burns with prolonged contact.
10. Operate the heater only while it is permanently mounted in an upright position. Refer to the C.1 Mechanical, page 4 for details.
11. Heater must be kept clean. When operating in a dirty environment, regularly clean the finned tubes, top vents, and keep bottom opening free of obstructions. Follow the recommended maintenance procedures. Refer Section A. Heater Maintenance Checklist, page 3 for details.
12. Do not operate the heater in atmosphere corrosive to steel or aluminum.
13. Use factory approved replacement parts only.
14. Conduit seals are not required in the heater's factory installed conduits.
15. A conduit seal is required within 6" (153 mm) of field entries.
16. If there are any questions or concerns regarding the heater, contact the factory. Refer to the last page of this manual for details.

C. INSTALLATION

All applicable codes must be adhered to. For optimum heating, the heater should be installed as follows:

C.1 Mechanical

1. Location
 - 1.1 The air discharge is not directed at a thermostat.
 - 1.2 The air discharge is across areas of heat loss, such as windows.
 - 1.3 If equipment freeze protection is of importance, locate heater as close to equipment as possible.
2. Mounting
 - 2.1 Heater must be mounted level on a vertical surface using the factory supplied mounting brackets such that there are no obstructions to impede air inlet or discharge.
 - 2.2 The mounting surface must be strong enough to:
 - Support the heater's weight, refer to Section D. Specifications, page 8.
 - Withstand abusive situations such as transportable installations of the heater.
 - 2.3 Secure mounting brackets to vertical surface with the top mounting hole 1.5" (38 mm) below the desired top surface height (Figure 1, page 4). Refer to Figure 3, page 5, Figure 4 and Figure 5, page 4 for physical dimensions and Figure 5, page 6 for required installation clearances. Mounting brackets are to be spaced to match the slots in the rear panel of heater cabinet.

- 2.4 After mounting brackets are secured, tilt the heater and lower it onto the top tabs of the mounting bracket such that the tabs go into the mounting slots on the rear panel of the heater cabinet (Figure 2, page 5).

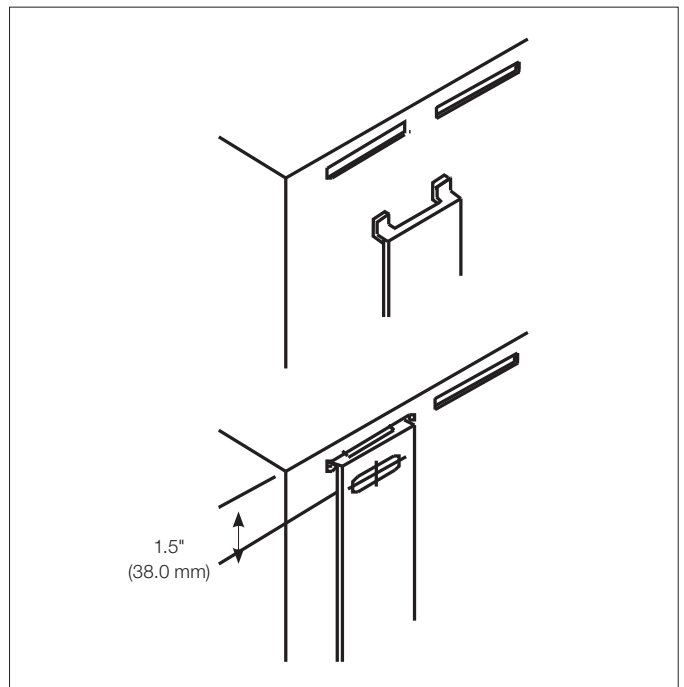


Figure 1

- 2.5 Carefully swing the bottom of the heater into the mounting brackets so that it is resting on the bottom tab (Figure 2, page 5).
- 2.6 Insert the securing screw through the bottom mounting bracket tab and into the cabinet to keep the heater from dislodging from the mounting bracket (Figure 2, page 5).
- 2.7 CAUTION: Use fasteners with yield stress greater than or equal to 58 ksi (400 MPa).

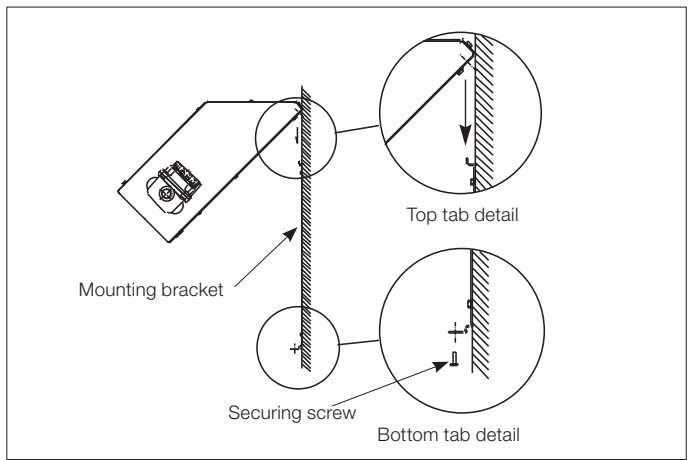
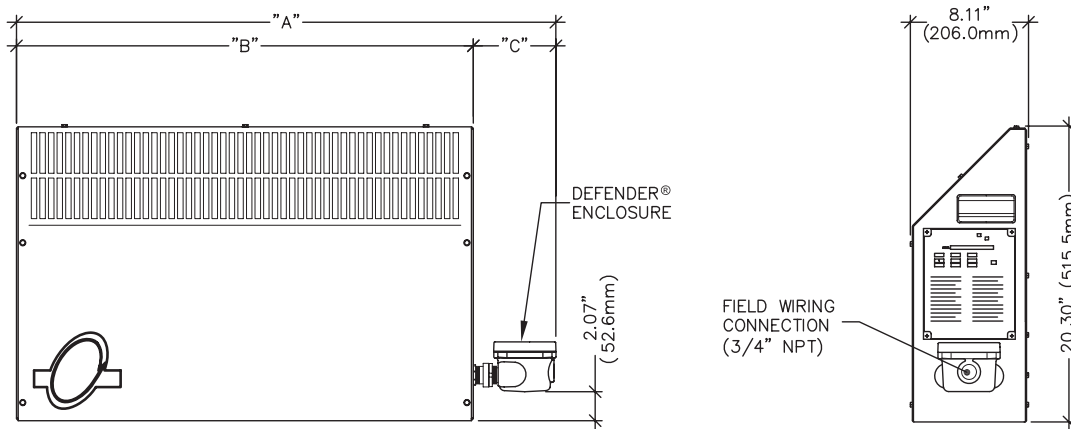


Figure 2

Group B, C, D, Heaters with Defender® Housing



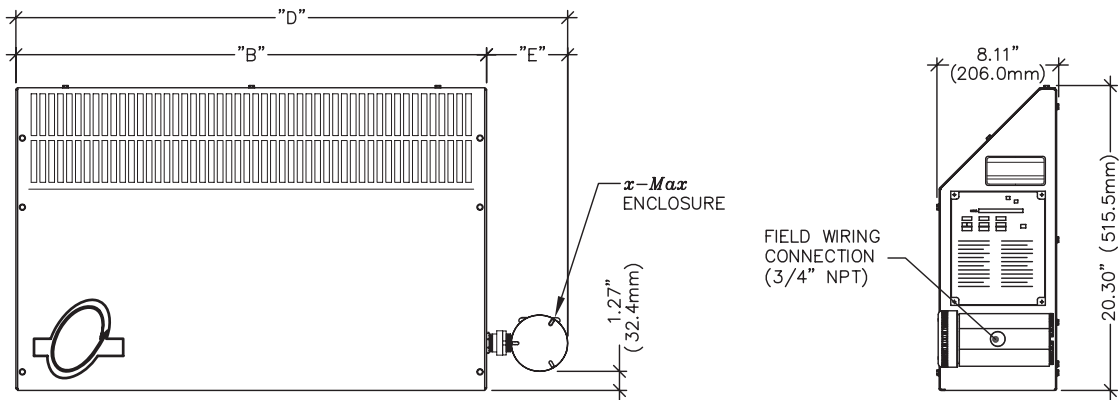
Heater kW Rating	'A' Dimension				'B' Dimension		'C' Dimension			
	w/o Extension		w/ Extension				w/o Extension		w/ Extension	
	in	mm	in	mm	in	mm	in	mm	in	mm
0.75 to 2.69 & 3.6 (T2A)	36.9	938	39.0	991	31.34	796	5.6	142	7.7	195
3.01 to 3.59, 3.6 (T3) & 4.8	55.0	1398	57.1	1451	49.45	1256				
4.76, 5.28 to 7.6*	65.1	1653	67.2	1706	59.49	1511				
3.13, 3.47, 3.74, 5.0, 6.26, 6.94, 7.47 & 10.0	77.4	1965	79.4	2018	71.78	1823				

* Except 7.6 kW, 208, 3Ø and 10 kW, 208V, & 277V, 3Ø units

** 1Ø Thermostat units require extension

Figure 3 – Physical Dimensions

Group A,B,C,D Heater with *x-Max*[®] Housing



Heater kW Rating	'D' Dimension						'B' Dimension		'E' Dimension					
	1Ø w/o Extension		1Ø* w/ Extension		3Ø Units				w/o Extension		w/ Extension		3Ø Units	
	in	mm	in	mm	in	mm	in	mm	in	mm	in	mm	in	mm
0.75 to 2.69 & 3.6 (T2A)	37.6	954	39.6	1007	38.3	973	31.34	796	6.2	158	8.3	211	7.0	177
3.01 to 3.59, 3.6 (T3) & 4.8	55.7	1414	57.8	1467	56.4	1433	49.45	1256						
4.76, 5.28 to 7.6*	65.7	1669	67.8	1722	66.5	1688	59.49	1511						
3.13, 3.47, 3.74, 5.0, 6.26, 6.94, 7.47 & 10.0	78.0	1981	80.1	2034	78.7	2000	71.78	1823						

* 1Ø Thermostat units require extension

Figure 4 – Physical Dimensions

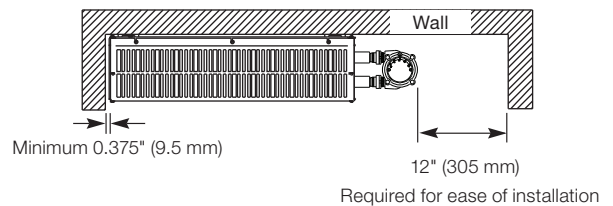
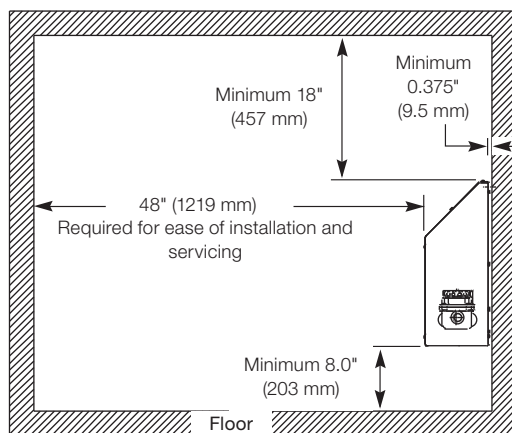


Figure 5 – Installation Clearances

C.2 Electrical



WARNING. Disconnect the power supply before installation of the heater.

Lock the switch in the **“OFF”** (open) position and/or tag the switch to prevent unexpected power application.

For heaters marked "IIC", insure to loosen the setscrew before removing the cover. Installation and wiring of the heater must adhere to all applicable codes.

1. General

1.1 Use only copper conductors and approved explosion-proof wiring methods during installation. Refer to the Section H.1 1-Phase, page 12 and Section H.2 3-Phase, page 14, or heater data plate for the voltage, amperage and wattage ratings when sizing for the appropriate conductors. All supply conductors should be rated for operating at temperatures up to 194°F (90°C).

1.2 Supply voltage must be within 10% of the data plate rating. External over-current protection is required and must meet data plate ratings for voltage, amperage and frequency.

2. Field Wiring

Heater has been supplied with an enclosure that has a 3/4" NPT or 1" NPT threaded opening to accommodate the line conductors (see Figure 3, page 5 to for connection details). Use wire connectors rated for minimum 194°F (90°C).

NOTE: If remote thermostats other than the factory supplied are used, ensure that they will not allow the room temperature to exceed ambient temperature limitations of the heater (104°F/40°C) and are suitable for the area's hazardous atmosphere classification. When using any control devices, ensure that the voltage and amperage ratings match the heater's electrical ratings. If not, a contactor may be required.

3. Final Inspection

3.1 Before application of electrical power:

- Check that all connections are secured and comply with the wiring diagram (see Figure 6 and Figure 7, page 7 and applicable code requirements,
- Confirm that the supply voltage and phase is compatible with the data plate specifications,
- Remove any foreign objects from the heater, and
- Ensure all external fittings and enclosure covers are secured.

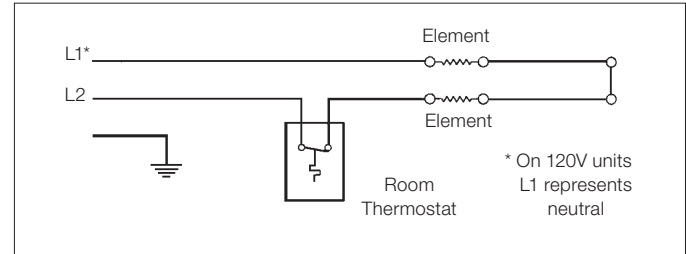


Figure 6 – Wiring Diagram for remote mount and built-in room thermostats (1Ø units)

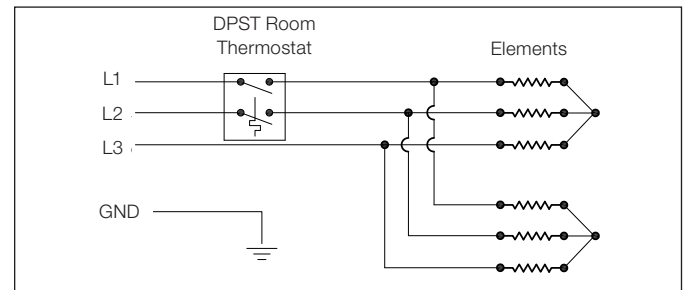


Figure 7 – Wiring Diagram for remote mount and built-in room thermostats (3Ø units)

D. SPECIFICATIONS

		Nominal kW			
		0.75 - 2.69 & 3.6 (T2A)	3.01, 3.33, 3.59, 3.6 (T3), 4.8	4.76, 5.28, 5.68, 7.6	3.13, 3.47, 3.74, 5.0, 6.26, 6.94, 7.47, 10.0
Cabinet Length	in	31.3	49.4	59.5	71.8
	mm	796	1256	1511	1823
Net Weight	lbs	55.3	80.7	92.8	117
	kg	25.1	36.6	42.1	53.2
Shipping Weight	lbs	65	95	105	142
	kg	30	44	47.6	65.5

Specifications for Models

- Hazardous Locations**

Without Built-in T'Stat*
Class I, Div. 1 & 2, Groups B, C, & D; Zones 1 & 2, Groups IIA, IIB + H2 (Defender® Housing) or, Class I, Div. 1 & 2, Groups A, B, C, & D, Groups IIA, IIB, IIC (**x-Max**®)

With Built-in T'Stat*
Class I, Div. 1 & 2, Groups C, & D, Zones 1 & 2, Groups IIA, IIB (Defender® Housing) or, Class I, Div. 1 & 2, Groups A, B, C, D, Zones 1 & 2, Groups IIA, IIB, IIC (**x-Max**® housing)
- Enclosures**

Defender® housing is cast aluminum with bolt on cover, Groups IIB. **x-Max**® housing is extruded aluminum with two screwed on covers. The **x-Max**® housing offers IP55 moisture ingress protection, Groups IIC.

For dry indoor use only.
Do not immerse in water. Do not store or use in areas exposed to rain or snow.
- Mounting Brackets**

Two 14 Ga. (0.075 in) (1.90 mm) galvanized steel.
- Heating Elements**

Incoloy® sheathed elements.
- Cabinet Material**

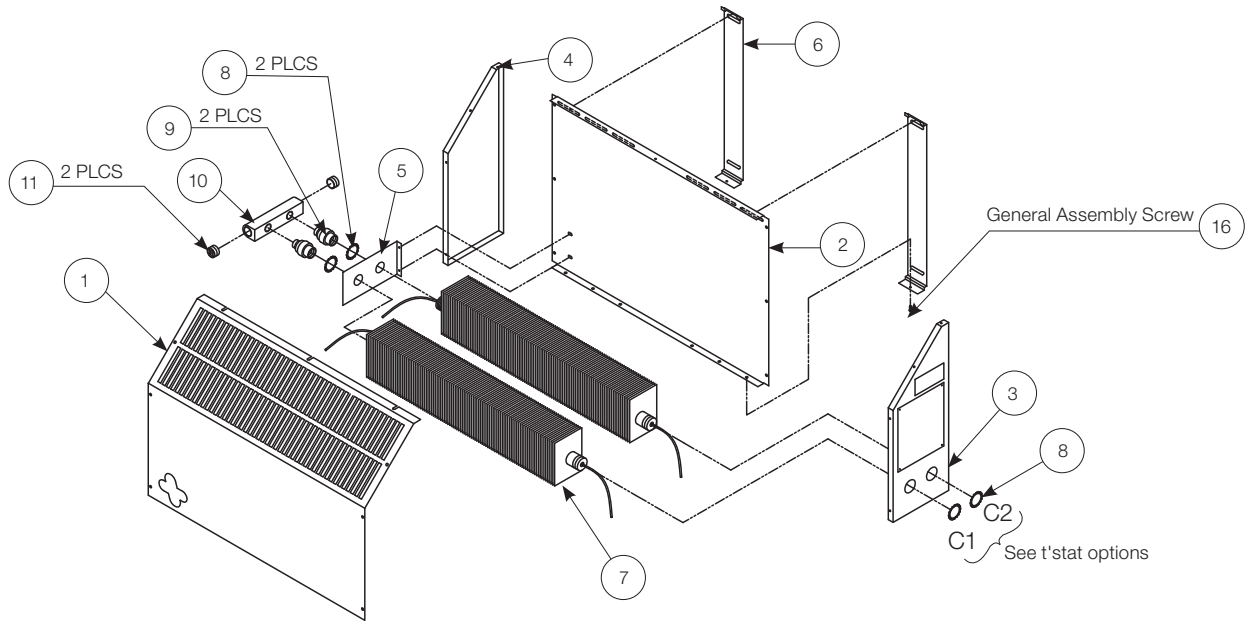
14 Ga. steel. Rear panel is galvanized. Front and side panels are baked green-grey epoxy powder coated with five-stage pretreatment, including iron phosphate.
- Temperature Code Rating**

T2A 536°F (280°C), T3 392°F (200°C)
- Temperature Limitations**

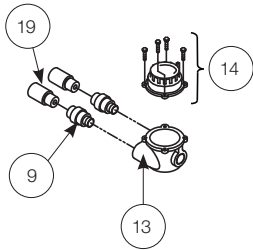
Operational: -49°F to 104°F
Storage: -49°F to 176°F

*Hazardous location ratings are dependant on the junction box used.
Please consult a customer service representative or the unit data plate for actual location ratings.

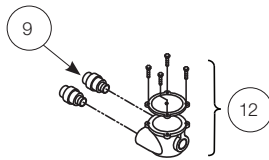
E. PARTS DIAGRAM



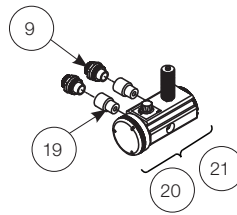
IIB, Built-in T'stat Option



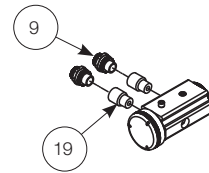
IIB + H₂ Without T'stat Option



IIC, Built-in T'stat Option

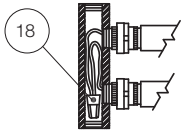


IIC, Without Built-in T'stat Option

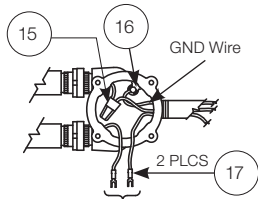


1-Phase Wiring

Conduit Detail

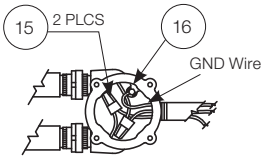


IIB Built-in Wiring

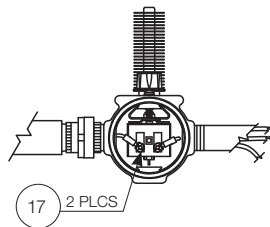


Connect to "common" and "norm closed" terminals of built-in T'stat.

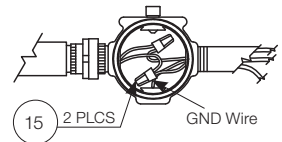
IIB+H₂ Without T'stat Wiring



IIC Built-in T'stat Wiring

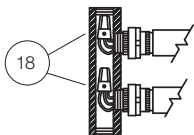


IIC Without T'stat Wiring

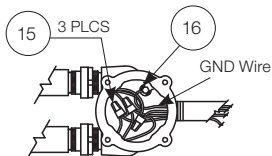


3-Phase Wiring

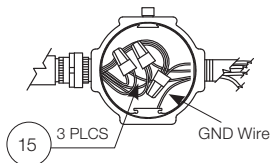
Conduit Detail



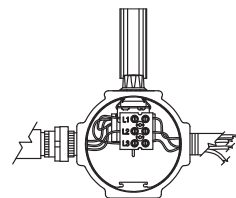
IIB+H₂ Without T'stat Wiring



IIC Without T'stat Wiring



IIC Built-in T'stat Wiring



F. PARTS LIST

Please have model and serial number available before calling.

Item No.	Description	Cabinet Length							
		31.5" (796 mm)		49.4" (1256 mm)		59.5" (1511 mm)		71.78" (1823 mm)	
		Part No.	Qty.	Part No.	Qty.	Part No.	Qty.	Part No.	Qty.
1	Panel, Front	6488	1	6493	1	6490	1	12305	1
2	Panel, Back	6487	1	6494	1	6489	1	12306	1
3	Panel, Right - 1Ø units	6491	1	6491	1	6491	1	6491	1
	Panel, Right - 3Ø units	12304	1	12304	1	12304	1	12304	1
4	Panel, Left	6492	1	6492	1	6492	1	6492	1
5	Bracket, Finned Tube - 1Ø units	6485	1	6485	1	6485	1	6485	1
	Bracket, Finned Tube - 3Ø units	12303	1	12303	1	12303	1	12303	1
6	Kit, Wall Mounting	6602	1	6602	1	6602	1	6602	1
7	Finned Tube Assy c/w Element	*	2	*	2	*	2	*	2
8	Nut, 3/4 Alum. Lock - 1Ø units	6449	4	6449	4	6449	4	6449	4
	Nut, 1" NPT Lock - 3Ø units	12676	4	12676	4	12676	4	12676	4
9	Union, 3/4 NPT Male/Female - 1Ø units	6506	4	6506	4	6506	4	6506	4
	Union, 1" NPT Female/Female - 3Ø units	12677	2	12677	2	12677	2	12677	2
	Union, 1" NPT Male/Female - 3Ø units	12787	2	12787	2	12787	2	12787	2
10	Conduit, Element	6497	1	6497	1	6497	1	6497	1
11	Plug, 3/4 Ex-Proof	1443	2	1443	2	1443	2	1443	2
12	Kit, Group B, (IIB +H ₂) Enclosure	6604	1	6604	1	6604	1	6604	1
13	Enclosure, Convectur	6211	1	6211	1	6211	1	6211	1
14	Kit, Built-in XCT T'Stat - 1Ø units	6603	1	6603	1	6603	1	6603	1
15	Wire Connector, 302°F (150°C)	**							
16	Screw, 10-24 x 1/2 in. Thd Ct	4972	20	4972	21	4972	22	4972	24
17	Fork Connector, 12-10GA #10	2088	2	2088	2	2088	2	2088	2
18	Wire Connector, 572°F (300°C)	6529	+	6529	+	6529	+	6529	+
19	Tube Extension - 1Ø units	7202	2	7202	2	7202	2	7202	2
20	Kit, Built-in XT T'Stat - 1Ø units	11773	1	11773	1	11773	1	11773	1
21	Kit, Built-in XT T'Stat - 3Ø units	13728	1	13728	1	13728	1	13728	1
22	Reducer Bushing - 3Ø units	12679	2	12679	2	12679	2	12679	2
23	Nipple - 3Ø units	12678	2	12678	2	12678	2	12678	2
24	Reducer, 3/4 x 1" Male/Female	12867	2	12867	2	12867	2	12867	2

Notes

* Contact factory for replacement finned tube kits.

** Customer supplied. Quantity varies: 1 for built-in T'stat option; 2 for remote T'stat option.

*** 7.6 kW, 208V, 3Ø and 10 kW, 208V, 240V & 277V, 3Ø only

+ Quantity varies: 1 for 1Ø, 2 for 3Ø

G. REPAIR & REPLACEMENT



WARNING. Disconnect the power supply before installation of the heater. Lock the switch in the “OFF” (open) position and/or tag the switch to prevent unexpected power application. Heater surfaces may be hot.

G.1 Finned Tube/Element Assembly

A complete finned tube assembly is available from the factory. Refer to Section E. Parts Diagram, page 9 for item numbers.

1. Remove the front cabinet panel (Item #1).
2. Remove convector enclosure's cover and disconnect wires.
3. De-couple two unions (Item #9) connecting convector enclosure and finned tube extrusion (Item #7).
4. Remove the front 3/4" NPT plug (Item #11) from element conduit (Item #10) and then pull out wire connector and disconnect the wires.
5. De-couple remaining two unions and remove element conduit.
6. Remove union halves and lock-nut (Item #8) from ends of each finned tube requiring replacement and set aside for re-use on new factory supplied finned/element assemblies.
7. Remove bolts from lower tabs of wall mount brackets (Item #6), remove heater from wall mount brackets, and loosen the bolts from the finned tube bracket (Item #5).
8. Remove the damaged finned tube/element assemblies and install replacements.
9. Re-assemble heater using the reverse order of the preceding instructions.

IMPORTANT: All threaded connections must be wrench tight with a minimum of 5 turns engagement.

G.2 Cabinet Panels and Brackets

Replacement cabinet panels and brackets are available from the factory.

NOTE: For purposes of safety and convenience, all repairs and maintenance must be done with factory authorized parts and materials.

H. CX1 TECHNICAL DATA

H.1 1-Phase

Model	kW (Btu/hr)	Unit Voltage	Gas Group				Supply Wire Size ***	Unit Current	Max. Circuit Fuse*	Cabinet Length	Temperature Code
			IIB + H2	IIB	IIC						
			V	w/o T'stat	w/ T'stat	w/o T'stat					
CX1-120160-012-T3	1.2 (4095)	120		✓		✓	12	10.0	15	31.3 (796)	T3 (200)
CX1-120160-018-T3	1.8 (6142)	120		✓		✓	12	15.0	20	31.3 (796)	T3 (200)
CX1-208160-012-T3	1.2 (4095)	208		✓		✓	12	5.8	15	31.3 (796)	T3 (200)
CX1-208160-018-T3	1.8 (6142)	208		✓		✓	12	8.7	15	31.3 (796)	T3 (200)
CX1-208160-036-T3**	3.6 (12284)	208		✓		✓	12	17.3	25	49.5 (1256)	T3 (200)
CX1-208160-048-T2A	4.8 (16378)	208		N/A		✓	8	23.1	30	49.5 (1256)	T2A (280)
CX1-208160-050-T3	5.0 (17060)	208		N/A		✓	8	24.0	30	71.8 (1823)	T3 (200)
CX1-208160-076-T2A	7.6 (25932)	208		N/A		N/A	8	36.5	50	59.5 (1511)	T2A (280)
CX1-240160-012-T3	1.2 (4095)	240		✓		✓	12	5.0	15	31.3 (796)	T3 (200)
CX1-240160-018-T3	1.8 (6142)	240		✓		✓	12	7.5	15	31.3 (796)	T3 (200)
CX1-240160-036-T3**	3.6 (12284)	240		✓		✓	12	15.0	20	49.5 (1256)	T3 (200)
CX1-240160-048-T2A	4.8 (16378)	240		✓		✓	10	20.0	25	49.5 (1256)	T2A (280)
CX1-240160-050-T3	5.0 (17060)	240		✓		✓	8	20.8	30	71.8 (1823)	T3 (200)
CX1-240160-076-T2A	7.6 (25932)	240		N/A		N/A	8	31.7	40	59.5 (1511)	T2A (280)
CX1-277160-012-T3	1.2 (4095)	277		✓		✓	12	4.3	15	31.3 (796)	T3 (200)
CX1-277160-018-T3	1.8 (6142)	277		✓		✓	12	6.5	15	31.3 (796)	T3 (200)
CX1-277160-036-T3**	3.6 (12284)	277		✓		✓	12	13.0	20	49.5 (1256)	T3 (200)
CX1-277160-048-T2A	4.8 (16378)	277		✓		✓	12	17.3	25	49.5 (1256)	T2A (280)
CX1-277160-050-T3	5.0 (17060)	277	✓	✓	✓	✓	8	18.1	25	71.8 (1823)	T3 (200)
CX1-277160-076-T2A	7.6 (25932)	277		N/A		N/A	8	27.4	35	59.5 (1511)	T2A (280)
CX1-380160-0075-T3	0.75 (2560)	380		✓		✓	12	2.0	15	31.3 (796)	T3 (200)
CX1-380160-0113-T3	1.13 (3856)	380		✓		✓	12	3.0	15	31.3 (796)	T3 (200)
CX1-380160-012-T3	1.2 (4095)	380		✓		✓	12	3.2	15	31.3 (796)	T3 (200)
CX1-380160-018-T3	1.8 (6142)	380		✓		✓	12	4.7	15	31.3 (796)	T3 (200)
CX1-380160-0226-T2A	2.26 (7711)	380		✓		✓	12	5.9	15	31.3 (796)	T2A (280)
CX1-380160-0301-T3	3.01 (10271)	380		✓		✓	12	7.9	15	49.5 (1256)	T3 (200)
CX1-380160-0313-T3	3.13 (10680)	380		✓		✓	12	8.2	15	71.8 (1823)	T3 (200)
CX1-380160-036-T3**	3.6 (12284)	380		✓		✓	12	9.5	15	49.5 (1256)	T3 (200)
CX1-380160-0476-T2A	4.76 (16241)	380		✓		✓	10	12.5	20	59.5 (1511)	T2A (280)
CX1-380160-048-T2A	4.8 (16378)	380		✓		✓	10	12.6	20	49.5 (1256)	T2A (280)
CX1-380160-050-T3	5.0 (17060)	380		✓		✓	10	13.2	20	71.8 (1823)	T3 (200)
CX1-380160-0626-T2A	62.6 (21360)	380		✓		N/A	8	16.5	25	71.8 (1823)	T2A (280)
CX1-380160-076-T2A	7.6 (25932)	380		✓		N/A	8	20.0	25	59.5 (1511)	T2A (280)
CX1-380160-100-T2A	10.0 (34121)	380		N/A		N/A	8	26.3	35	71.8 (1823)	T2A (280)
CX1-400160-0083-T3	0.83 (2832)	400		✓		✓	12	2.1	15	31.3 (796)	T3 (200)
CX1-400160-012-T3	1.2 (4095)	400		✓		✓	12	3.0	15	31.3 (796)	T3 (200)

Notes

* Or equivalent breaker as per local electrical inspection authority requirements.

** For 3.6 kW heaters rated T3 cabinet length is 49.5" (1256 mm). 3.6 kW heaters rated T2A cabinet length is 31.3" (796 mm).

*** Ensure supply wire size adheres to applicable local and national electrical codes.

1. Heater is functioning normally if, at rated voltage, the current draw is within 10% of the value in this table.
2. Operation at lower voltages that rated will result in reduced output and current draw.
Actual Output (kW) = [(Supply Voltage)² ÷ (Rated Voltage)²] × Rated Unit Wattage (kW)
3. Add suffix "T" for optional built-in thermostat. Thermostat not available on IIB+H2 models.
4. Add suffix "H" for high-temperature ambient storage option. High temperature storage option is not available with thermostat option. Not available on IIB models.

Model	kW (Btu/hr)	Unit Voltage	Gas Group				Supply Wire Size ***	Unit Current	Max. Circuit Fuse*	Cabinet Length	Temperature Code
			IIB + H2	IIB	IIC						
			V	w/o T'stat	w/ T'stat	w/o T'stat					
CX1-400160-0125-T3	1.25 (4565)	400		✓		✓	12	3.1	15	31.3 (796)	T3 (200)
CX1-400160-018-T3	1.8 (6142)	400		✓		✓	12	4.5	15	31.3 (796)	T3 (200)
CX1-400160-025-T2A	2.5 (8530)	400		✓		✓	12	6.3	15	31.3 (796)	T2A (280)
CX1-400160-0333-T3	3.33 (11362)	400		✓		✓	12	8.3	15	49.5 (1256)	T3 (200)
CX1-400160-0347-T3	3.47 (11840)	400		✓		✓	12	8.7	15	71.8 (1823)	T3 (200)
CX1-400160-036-T3**	3.6 (12284)	400		✓		✓	12	9.0	15	49.5 (1256)	T3 (200)
CX1-400160-048-T2A	4.8 (16378)	400		✓		✓	10	12.0	15	49.5 (1256)	T2A (280)
CX1-400160-050-T3	5.0 (17060)	400		✓		✓	10	12.5	20	71.8 (1823)	T3 (200)
CX1-400160-0528-T2A	5.28 (18016)	400		✓		✓	10	13.2	20	59.5 (1511)	T2A (280)
CX1-400160-0694-T3	6.94 (23680)	400		✓		N/A	8	17.4	25	71.8 (1823)	T3 (200)
CX1-400160-076-T2A	7.6 (25932)	400		✓		N/A	8	19.0	30	59.5 (1511)	T2A (280)
CX1-400160-100-T2A	10.0 (34121)	400		N/A		N/A	8	25.0	35	71.8 (1823)	T2A (280)
CX1-415160-009-T3	0.9 (3071)	415		✓		✓	12	2.2	15	31.3 (796)	T3 (200)
CX1-415160-012-T3	1.2 (4095)	415		✓		✓	12	2.9	15	31.3 (796)	T3 (200)
CX1-415160-0135-T3	1.35 (4606)	415		✓		✓	12	3.3	15	31.3 (796)	T3 (200)
CX1-415160-018-T3	1.8 (6142)	415		✓		✓	12	4.3	15	31.3 (796)	T3 (200)
CX1-415160-0269-T2A	2.69 (9179)	415		✓		✓	12	6.5	15	31.3 (796)	T2A (280)
CX1-415160-0359-T3	3.59 (12250)	415		✓		✓	12	8.7	15	49.5 (1256)	T3 (200)
CX1-415160-036-T3**	3.6 (12284)	415		✓		✓	12	8.7	15	49.5 (1256)	T3 (200)
CX1-415160-0374-T3	3.74 (12761)	415		✓		✓	12	9.0	15	71.8 (1823)	T3 (200)
CX1-415160-048-T2A	4.8 (16378)	415	✓	✓	✓	✓	10	11.6	15	49.5 (1256)	T2A (280)
CX1-415160-050-T3	5.0 (17060)	415		✓		✓	10	12.0	15	71.8 (1823)	T3 (200)
CX1-415160-0568-T2A	5.68 (19381)	415		✓		✓	10	13.7	20	59.5 (1511)	T2A (280)
CX1-415160-0747-T2A	7.47 (25488)	415		✓		N/A	8	18.0	25	71.8 (1823)	T2A (280)
CX1-415160-076-T2A	7.6 (25932)	415		✓		N/A	8	18.3	25	59.5 (1511)	T2A (280)
CX1-415160-100-T2A	10.0 (34121)	415		N/A		N/A	8	24.1	35	71.8 (1823)	T2A (280)
CX1-480160-012-T3	1.2 (4095)	480		✓		✓	12	2.5	15	31.3 (796)	T3 (200)
CX1-480160-018-T3	1.8 (6142)	480		✓		✓	12	3.8	15	31.3 (796)	T3 (200)
CX1-480160-036-T3**	3.6 (12284)	480		✓		✓	12	7.5	15	49.5 (1256)	T3 (200)
CX1-480160-048-T2A	4.8 (16378)	480		✓		✓	12	10.0	15	49.5 (1256)	T2A (280)
CX1-480160-050-T3	5.0 (17060)	480		✓		✓	12	10.4	15	71.8 (1823)	T3 (200)
CX1-480160-076-T2A	7.6 (25932)	480		✓		N/A	10	15.8	20	59.5 (1511)	T2A (280)
CX1-480160-100-T2A	10.0 (34121)	480		✓		N/A	8	20.8	30	71.8 (1823)	T2A (280)
CX1-600160-012-T3	1.2 (4095)	600		N/A		✓	12	2.0	15	31.3 (796)	T3 (200)
CX1-600160-018-T3	1.8 (6142)	600		N/A		✓	12	3.0	15	31.3 (796)	T3 (200)
CX1-600160-036-T3**	3.6 (12284)	600		N/A		✓	12	6.0	15	49.5 (1256)	T3 (200)
CX1-600160-048-T2A	4.8 (16378)	600		N/A		✓	12	8.0	15	49.5 (1256)	T2A (280)
CX1-600160-050-T3	5.0 (17060)	600		N/A		✓	12	8.3	15	71.8 (1823)	T3 (200)
CX1-600160-076-T2A	7.6 (25932)	600		N/A		✓	12	12.7	20	59.5 (1511)	T2A (280)
CX1-600160-100-T2A	10.0 (34121)	600		N/A		N/A	10	16.7	25	71.8 (1823)	T2A (280)

- For IIB model with Defender® built-in thermostat - Class I, Div. 1 & 2, Groups C & D; Zones 1 & 2, Groups IIA and IIB.
- For IIC model with XT built-in thermostat - Class I, Div. 1 & 2, Groups A,B,C & D; Zones 1 & 2, Groups IIA, IIB, IIC.
- IIC Grouping units come with x-Max® housing.
- Remote mounted, Defender, explosion-proof room thermostats are not suitable for Group B & IIC applications.

- Remote contactors are required on all 600V heaters, and heaters with a current draw greater than 22 amps (supplied & installed by others), when utilizing XT-311 remote thermostat.
- Temperature code ratings: T2A - 280°C (536°F), T3 - 200°C (392°F)

H.2 3-Phase

Model	kW (Btu/hr)	Unit Voltage	Gas Group				Supply Wire Size ***	Unit Current	Max. Circuit Fuse*	Cabinet Length	Temperature Code
			IIB + H2	IIB	IIC						
			V	w/o T'stat	w/ T'stat	w/o T'stat					
CX1-208360-012-T3	1.2 (4095)	208	✓				12	3.3	15	31.3 (796)	T3 (200)
CX1-208360-018-T3	1.8 (6142)	208	✓				12	5.0	15	31.3 (796)	T3 (200)
CX1-208360-036-T3**	3.6 (12284)	208	✓				12	10.0	15	49.5 (1256)	T3 (200) 10
CX1-208360-048-T2A	4.8 (16378)	208	✓				10	13.3	20	49.5 (1256)	T2A (280)
CX1-208360-050-T3	5.0 (17060)	208	✓				10	13.9	20	71.8 (1823)	T3 (200)
CX1-208360-076-T2A	7.6 (25932)	208	N/A				8	21.1	30	59.5 (1511)	T2A (280)
CX1-208360-100-T2A	10.0 (34121)	208	N/A				8	27.8	35	71.8 (1823)	T2A (280)
CX1-240360-012-T3	1.2 (4095)	240	✓				12	2.9	15	31.3 (796)	T3 (200)
CX1-240360-018-T3	1.8 (6142)	240	✓				12	4.3	15	31.3 (796)	T3 (200)
CX1-240360-036-T3**	3.6 (12284)	240	✓				12	8.7	15	49.5 (1256)	T3 (200) 12
CX1-240360-048-T2A	4.8 (16378)	240	✓				12	11.5	20	49.5 (1256)	T2A (280)
CX1-240360-050-T3	5.0 (17060)	240	✓				12	12.0	15	71.8 (1823)	T3 (200)
CX1-240360-076-T2A	7.6 (25932)	240	✓				10	18.3	25	59.5 (1511)	T2A (280)
CX1-240360-100-T2A	10.0 (34121)	240	N/A				8	24.1	35	71.8 (1823)	T2A (280)
CX1-277360-012-T3	1.2 (4095)	277	✓	N/A	✓	✓	12	2.5	15	31.3 (796)	T3 (200)
CX1-277360-018-T3	1.8 (6142)	277	✓				12	3.8	15	31.3 (796)	T3 (200)
CX1-277360-036-T3**	3.6 (12284)	277	✓				12	7.5	15	49.5 (1256)	T3 (200) 10
CX1-277360-048-T2A	4.8 (16378)	277	✓				12	10.0	15	49.5 (1256)	T2A (280)
CX1-277360-050-T3	5.0 (17060)	277	✓				12	10.4	15	71.8 (1823)	T3 (200)
CX1-277360-076-T2A	7.6 (25932)	277	✓				10	15.8	20	59.5 (1511)	T2A (280)
CX1-277360-100-T2A	10.0 (34121)	277	N/A				8	20.8	30	71.8 (1823)	T2A (280)
CX1-380360-0113-T3	1.13 (3856)	380	✓				12	1.7	15	31.3 (796)	T3 (200)
CX1-380360-0226-T2A	2.26 (7711)	380	✓				12	3.4	15	31.3 (796)	T2A (280)
CX1-380360-0301-T3	3.01 (10271)	380	✓				12	4.6	15	49.5 (1256)	T3 (200)
CX1-380360-0313-T3	3.13 (10680)	380	✓				12	4.8	15	71.8 (1823)	T3 (200)
CX1-380360-0476-T2A	4.76 (16241)	380	✓				12	7.2	15	59.5 (1511)	T2A (280)
CX1-380360-050-T3	5.0 (17060)	380	✓				12	7.6	15	71.8 (1823)	T3 (200)
CX1-380360-0626-T2A	6.26 (21360)	380	✓				12	9.5	15	71.8 (1823)	T2A (280)
CX1-380360-100-T2A	10.0 (34121)	380	✓				10	15.2	20	71.8 (1823)	T2A (280)
CX1-400360-0125-T3	1.25 (4565)	400	✓				12	1.8	15	31.3 (796)	T3 (200)

Notes

* Or equivalent breaker as per local electrical inspection authority requirements.

** For 3.6 kW heaters rated T3 cabinet length is 49.5" (1256 mm). 3.6 kW heaters rated T2A cabinet length is 31.3" (796 mm).

*** Ensure supply wire size adheres to applicable local and national electrical codes.

- Available for IIB only.

1. Heater is functioning normally if, at rated voltage, the current draw is within 10% of the value in this table.
2. Operation at lower voltages that rated will result in reduced output and current draw.
3. Actual Output (kW) = [(Supply Voltage)² ÷ (Rated Voltage)²] × Rated Unit Wattage (kW)
4. Add suffix "T" for optional built-in thermostat. Thermostat not available on IIB+H2 models.
5. Add suffix "H" for high-temperature ambient storage option. High temperature storage option is not available with thermostat option. Not available on IIB models.

Model	kW (Btu/hr)	Unit Voltage	Gas Group				Supply Wire Size ***	Unit Current	Max. Circuit Fuse*	Cabinet Length	Temperature Code
			IIB + H2	IIB	IIC						
			V	w/o T'stat	w/ T'stat	w/o T'stat					
CX1-400360-025-T2A	2.5 (8530)	400	✓✓	N/A	✓	✓	12	3.6	15	31.3 (796)	T2A (280)
CX1-400360-0333-T3	3.33 (11362)	400	✓				12	4.8	15	49.5 (1256)	T3 (200)
CX1-400360-0347-T3	3.47 (11840)	400	✓				12	5.0	15	71.8 (1823)	T3 (200)
CX1-400360-050-T3	5.0 (17060)	400	✓				12	7.2	15	71.8 (1823)	T3 (200)
CX1-400360-0528-T2A	5.28 (18016)	400	✓				12	7.6	15	59.5 (1511)	T2A (280)
CX1-400360-0694-T2A	6.94 (23680)	400	✓				12	10.0	15	71.8 (1823)	T3 (200)
CX1-400360-100-T2A	10.0 (34121)	400	✓				10	14.4	20	71.8 (1823)	T2A (280)
CX1-415360-0135-T3	1.35 (4606)	415	✓				12	1.9	15	31.3 (796)	T3 (200)
CX1-415360-0269-T2A	2.69 (9179)	415	✓				12	3.7	15	31.3 (796)	T2A (280)
CX1-415360-0359-T3	3.59 (12250)	415	✓				12	5.0	15	49.5 (1256)	T3 (200)
CX1-415360-0374-T3	3.74 (12761)	415	✓				12	5.2	15	71.8 (1823)	T3 (200)
CX1-415360-050-T3	5.0 (17060)	415	✓				12	7.0	15	71.8 (1823)	T3 (200)
CX1-415360-0568-T2A	5.68 (19381)	415	✓				12	7.9	15	59.5 (1511)	T2A (280)
CX1-415360-0747-T2A	7.47 (25488)	415	✓				12	10.4	15	71.8 (1823)	T2A (280)
CX1-415360-100-T2A	10.0 (34121)	415	✓				10	13.9	20	71.8 (1823)	T2A (280)
CX1-480360-018-T3	1.8 (6142)	480	✓				12	2.2	15	31.3 (796)	T3 (200)
CX1-480360-036-T3**	3.6 (12284)	480	✓				12	4.3	15	49.5 (1256)	T3 (200) T2A (280)
CX1-480360-048-T2A	4.8 (16378)	480	✓				12	5.8	15	49.5 (1256)	T2A (280)
CX1-480360-050-T3	5.0 (17060)	480	✓				12	6.0	15	71.8 (1823)	T3 (200)
CX1-480360-076-T2A	7.6 (25932)	480	✓				12	9.1	15	59.5 (1511)	T2A (280)
CX1-480360-100-T2A	10.0 (34121)	480	✓				12	12.0	15	71.8 (1823)	T2A (280)
CX1-600360-036-T3**	3.6 (12284)	600	✓				12	3.5	15	49.5 (1256)	T3 (200) T2A (280)
CX1-600360-048-T2A	4.8 (16378)	600	✓				12	4.6	15	49.5 (1256)	T2A (280)
CX1-600360-050-T3	5.0 (17060)	600	✓				12	4.8	15	71.8 (1823)	T3 (200)
CX1-600360-076-T2A	7.6 (25932)	600	✓				12	7.3	15	59.5 (1511)	T2A (280)
CX1-600360-100-T2A	10.0 (34121)	600	✓				12	9.6	15	71.8 (1823)	T2A (280)

6. For IIB model with Defender® built-in thermostat - Class I, Div. 1 & 2, Groups C & D; Zones 1 & 2, Groups IIA and IIB.

7. For IIC model with XT built-in thermostat - Class I, Div. 1 & 2, Groups A,B,C & D; Zones 1 & 2, Groups IIA, IIB, IIC.

8. IIC Grouping units come with **x-Max**® housing.

9. Remote mounted, Defender®, explosion-proof room thermostats are not suitable for Group B & IIC applications.

10. Remote contactors are required on all 600V heaters, and heaters with a current draw greater than 22 amps (supplied & installed by others), when utilizing XT-311 remote thermostat.

11. Temperature code ratings: T2A - 280°C (536°F), T3 - 200°C (392°F)

For further assistance, please call 24hr hotline: 1-800-661-8529 (U.S.A. and Canada)

Please have model and serial numbers available before calling.

WARRANTY: Under normal use the Company warrants to the purchaser that defects in material or workmanship will be repaired or replaced without charge for a period of 18 months from date of shipment, or 12 months from the start date of operation, whichever expires first. Any claim for warranty must be reported to the sales office where the product was purchased for authorized repair or replacement within the terms of this warranty.

Subject to State or Provincial law to the contrary, the Company will not be responsible for any expense for installation, removal from service, transportation, or damages of any type whatsoever, including damages arising from lack of use, business interruptions, or incidental or consequential damages.

The Company cannot anticipate or control the conditions of product usage and therefore accepts no responsibility for the safe application and suitability of its products when used alone or in combination with other products. Tests for the safe application and suitability of the products are the sole responsibility of the user.

This warranty will be void if, in the judgment of the Company, the damage, failure or defect is the result of:

- Vibration, radiation, erosion, corrosion, process contamination, abnormal process conditions, temperature and pressures, unusual surges or pulsation, fouling, ordinary wear and tear, lack of maintenance, incorrectly applied utilities such as voltage, air, gas, water, and others or any combination of the aforementioned causes not specifically allowed for in the design conditions or,
- Any act or omission by the Purchaser, its agents, servants or independent contractors which for greater certainty, but not so as to limit the generality of the foregoing, includes physical, chemical or mechanical abuse, accident, improper installation of the product, improper storage and handling of the product, improper application or the misalignment of parts.

No warranty applies to paint finishes except for manufacturing defects apparent within 30 days from the date of installation.

The Company neither assumes nor authorizes any person to assume for it any other obligation or liability in connection with the product(s).

The Purchaser agrees that all warranty work required after the initial commissioning of the product will be provided only if the Company has been paid by the Purchaser in full accordance with the terms and conditions of the contract.

The Purchaser agrees that the Company makes no warranty or guarantee, express, implied or statutory, (including any warranty of merchantability or warranty of fitness for a particular purpose) written or oral, of the Article or incidental labour, except as is expressed or contained in the agreement herein.

LIABILITY: Technical data contained in the catalog or on the website is subject to change without notice. The Company reserves the right to make dimensional and other design changes as required. The Purchaser acknowledges the Company shall not be obligated to modify those articles manufactured before the formulation of the changes in design or improvements of the products by the Company.

The Company shall not be liable to compensate or indemnify the Purchaser, end user or any other party against any actions, claims, liabilities, injury, loss, loss of use, loss of business, damages, indirect or consequential damages, demands, penalties, fines, expenses (including legal expenses), costs, obligations and causes of action of any kind arising wholly or partly from negligence or omission of the user or the misuse, incorrect application, unsafe application, incorrect storage and handling, incorrect installation, lack of maintenance, improper maintenance or improper operation of products furnished by the Company.



Edmonton

1-780-466-3178

F 780-468-5904

5918 Roper Road

Alberta, Canada T6B 3E1

Oakville

1-800-410-3131

1-905-829-4422

F 905-829-4430

Orillia

1-877-325-3473

1-705-325-3473

F 705-325-2106

Houston

1-855-219-2101

1-281-506-2310

F 281-506-2316

Denver

1-855-244-3128

1-303-979-7339

F 303-979-7350

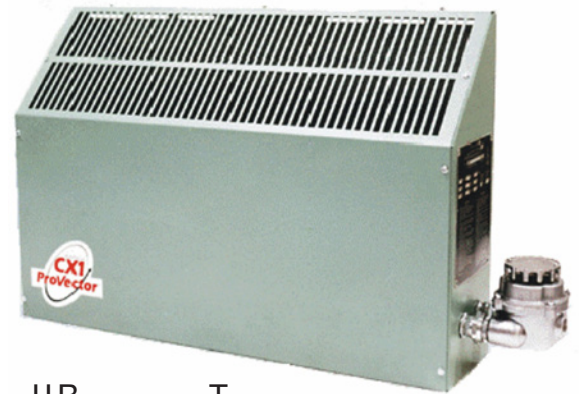
AVERTISSEMENT! Lire tous les avis importants de la page 3.

Respecter les directives du présent guide pour éviter tout danger ainsi que l'annulation de certaines dispositions de la garantie.

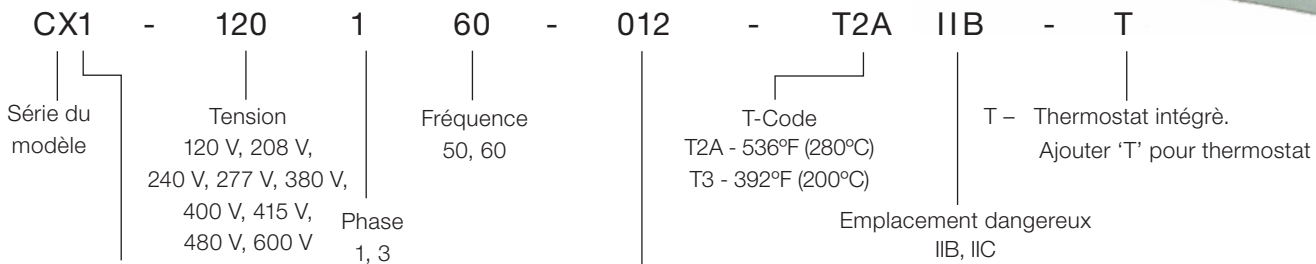
Réchauffeurs d'air à convection électrique pour les emplacements dangereux

Série CX1 ProVector[®]

Ce guide traite de l'installation, de la maintenance, de la réparation et des pièces.



Code du modèle



Puissance nominale du réchauffer				
0075 - 0.75 kW	0135 - 1.35 kW	0313 - 3.13 kW	048 - 4.8 kW	0747 - 7.47 kW
0083 - 0.83 kW	018 - 1.8 kW	0333 - 3.33 kW	050 - 5.0 kW	076 - 7.6 kW
009 - 0.90 kW	0226 - 2.26 kW	0347 - 3.47 kW	0528 - 5.28 kW	100 - 10.0 kW
0113 - 1.13 kW	025 - 2.5 kW	0359 - 3.59 kW	0568 - 5.68 kW	
012 - 1.2 kW	0269 - 2.69 kW	036 - 3.6 kW	0626 - 6.26 kW	
0125 - 1.25 kW	0301 - 3.01 kW	0476 - 4.76 kW	0694 - 6.94 kW	

Emplacements Autorisés

Les réchauffeurs d'air à convection électrique sont homologués cULUS pour les emplacements dangereux suivants:

(sans thermostat intégré)

Classe I, divisions 1 et 2, groupes A, B, C D
Classe I, zones 1 et 2, groupes IIA, IIB, IIC
Code de température T2A 536 °F (280 °C),
T3 392 °F (200 °C)

(avec thermostat intégré)

Classe I, divisions 1 et 2, groupes A, B, C et D
Classe I, zones 1 et 2, groupes IIA, IIB, IIC
Code de température T2A 280 °C (536 °F),
T3 392 °F (200 °C)

Pour plus de détails sur les emplacements dangereux à risque d'explosion, consulter le Code canadien de l'électricité, partie 1, section 18 ou le Code national de l'électricité, articles 500 - 516.

TABLE DES MATIÈRES

A. Liste de contrôle de maintenance du réchauffer	19
A.1 Périodique	19
A.2 Annuelle	19
B. Avis importants	20
C. Installation	20
C.1 Installation mécanique	20
C.2 Installation électrique.....	23
D. Spécifications	24
E. Diagramme des pièces	25
F. Liste des pièces	26
G. Réparation et remplacement	27
G.1 En semble de tuyaux à ailettes avec élément	27
G.2 Panneaux de boîtier et ferrures de fixation.....	27
H. Données techniques du CX1	28
H.1 1-Phase.....	28
H.2 3- Phase	30

A. LISTE DE CONTRÔLE DE MAINTENANCE DU RÉCHAUFFER



AVERTISSEMENT. Couper l'alimentation électrique du réchauffeur avant d'ouvrir le boîtier ou d'effectuer la maintenance. Régler l'interrupteur à la position "**OFF**" (arrêt) ou l'étiqueter pour empêcher tout branchement accidentel.

Pour les chauffe marqués IIC, assurez-vous de desserrer la vis de réglage avant de retirer le couvercle. Seul du personnel qualifié est autorisé à effectuer la maintenance de ce réchauffeur.

Modèle de réchauffeur _____ Date de maintenance _____

Numéro de serie _____ Maintenance faite par _____

Commentaires _____

A.1 Périodique (avant ou, au besoin, pendant le période de chauffe)

- **Nettoyer**
 - Les tuyaux à ailettes
 - Le dessus et le dessous de l'unité
 - Enlever la poussière au jet d'air comprimé Ne pas vaporiser d'eau ni de solvants. Ne pas immerger dans l'eau ni dans les solvants.
- **Vérifier**
 - Si tous les couvercles antidéflagrants sont bien fixés.

A.2 Annuelle (avant la période de chauffe)

- **Maintenance mécanique**
 - Vérifier tous les boîtiers. L'intérieur des boîtes doit être propre, sec et exempt de corps étrangers. Les joints de boîte sont assemblés métal contre métal. N'utiliser aucun joint ni matériau d'étanchéité dans les joints.
 - Vérifier le serrage de toutes les attaches. Tous les boulons, vis et écrous doivent être bien serrés.
 - Faire fonctionner le réchauffeur pendant au moins 5 minutes. S'assurer que de l'air chaud sort pas les diffuseurs supérieurs du réchauffeur.
- **Maintenance électrique**
 - Vérifier tous les conducteurs et bornes de connexion. Serrer les connexions lâches. Remplacer les conducteurs dont l'isolation est endommagée.
 - Vérifier tous les conduits antidéflagrants. Remplacer les raccords-union, bouchons et conduits endommagés. Tous les raccords filetés doivent être vissés d'au moins 5 tours.

Ruffneck^{MC}

Chauffages pour les environnements les plus rigoureux

Pour de l'assistance, composer le numéro sans frais 1-800-661-8529 (24 heures sur 24) Canada et É.-U.

B. AVIS IMPORTANTS



ATTENTION. Lire et respecter les directives suivantes afin d'éviter tout risque de blessure grave ou mortelle. La garantie sera annulée si ces directives ne sont pas suivies.

1. Lire et respecter toutes les directives du présent guide.
2. N'utiliser le réchauffeur que dans les emplacements où la température d'inflammation est supérieure à la température de fonctionnement maximale du réchauffeur, telle qu'indiquée sur la plaque signalétique. Pour de plus amples renseignements, consulter les codes électriques en vigueur.
3. Le réchauffeur ne doit être utilisé que dans les emplacements dangereux spécifiés sur la plaque signalétique.
4. Le réchauffeur ne doit être utilisé qu'à l'intérieur, et au sec. Ne pas immerger dans l'eau. Ne pas entreposer ni utiliser dans des emplacements exposés à la pluie ou à la neige.
5. La température ambiante maximale de fonctionnement est de 104 °F (40 °C).
6. Seul un électricien qualifié et expérimenté avec les équipements destinés aux emplacements dangereux est autorisé à effectuer le raccordement et la maintenance du réchauffeur.
7. L'installation et le câblage du réchauffeur doivent être conformes à tous les codes en vigueur.
8. Avant d'ouvrir un boîtier, couper l'alimentation électrique du réchauffeur. Régler l'interrupteur à la position **"OFF"** (arrêt) ou l'étiqueter pour empêcher tout branchement accidentel.
9. Les surfaces externes chauffent et peuvent causer des brûlures en cas de contact prolongé.
10. Ne faire fonctionner le réchauffeur que lorsqu'il est installé de façon permanente en position verticale. Pour plus de détails, consulter la section C.1 Installation mécanique, page 20.
11. Garder le réchauffeur toujours propre. Lorsqu'on l'utilise dans un environnement propice à la saleté, on doit nettoyer régulièrement les tuyaux à ailettes et les diffuseurs du haut, en s'assurant que rien n'obstrue la prise d'air (ouverture inférieure). Suivre les procédures de maintenance recommandées. Consulter la section A. Liste de contrôle de maintenance du réchauffeur, page 19.
12. Ne pas faire fonctionner le réchauffeur dans des environnements corrosifs pour l'acier ou l'aluminium.
13. N'utiliser que les pièces de rechange originales du fabricant.
14. Les joints de conduit ne sont pas requis dans les conduits installés dans le réchauffeur à l'usine.
15. Un joint d'étanchéité doit être en place à moins de 15,3 cm (6 po) des entrées de champ.
16. Pour toute question ou préoccupation concernant cet appareil de chauffage, contacter le fabricant. Consulter la dernière page du présent manuel pour de plus amples détails.

C. INSTALLATION

Les directives d'installation donnent une idée générale de l'installation et du câblage du réchauffeur.

Se conformer à tous les codes en vigueur.

C.1 Installation mécanique

1. Positionnement
 - 1.1 Ne jamais diriger la sortie d'air vers un thermostat.
 - 1.2 Diriger la sortie d'air vers les zones de déperdition thermique, comme les portes ou les fenêtres.
 - 1.3 Pour protéger un équipement contre le gel, installer le réchauffeur le plus près possible de cet équipement.
2. Installation
 - 2.1 Ce réchauffeur doit être installé de niveau horizontal et contre une paroi verticale, en utilisant les ferrures de fixation fournies par le fabricant, afin qu'il n'y ait aucune obstruction limitant l'entrée ni la sortie d'air.
 - 2.2 La surface de montage doit être suffisamment solide pour:
 - Supporter le poids du réchauffeur, voir la Section D. Spécifications, page 24.
 - Résister aux chocs comme ceux subis dans les installations

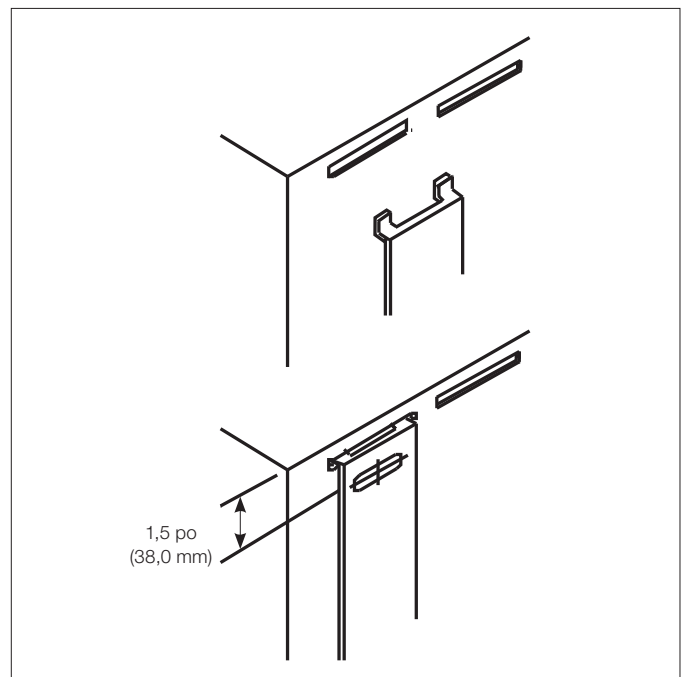


Figure 1

- 2.3 Viser les ferrures de fixation à la paroi verticale dans le trou de fixation supérieur, situé à 1,5 po (38 mm) sous la hauteur de la surface supérieure voulue (Figure 1, page 20). Voir Figure 3, page 5, Figure 4, et Figure 5, page 22 le dégagement requis pour l'installation. Espacer les ferrures de fixation afin qu'elles s'alignent sur les fentes du panneau arrière du réchauffeur.
- 2.4 Après avoir fixé les ferrures de fixation, incliner le réchauffeur et l'abaisser dans les pattes supérieures de la ferrure de fixation afin que les pattes s'insèrent dans les fentes de fixation du panneau arrière du réchauffeur (Figure 2, page 21).
- 2.5 Basculer, soigneusement, le bas du réchauffeur dans les ferrures de fixation afin qu'il puisse reposer sur la patte inférieure (Figure 2, page 21).
- 2.6 Insérer les vis de fixation dans la patte inférieure de la ferrure de fixation et dans le boîtier afin que le réchauffeur ne se déloge pas de la ferrure de fixation (Figure 2, page 21).

2.7 AVERTISSEMENT: Utiliser uniquement des fixations dont la limite d'élasticité est supérieure ou égale à 58 ksi (400 MPa).

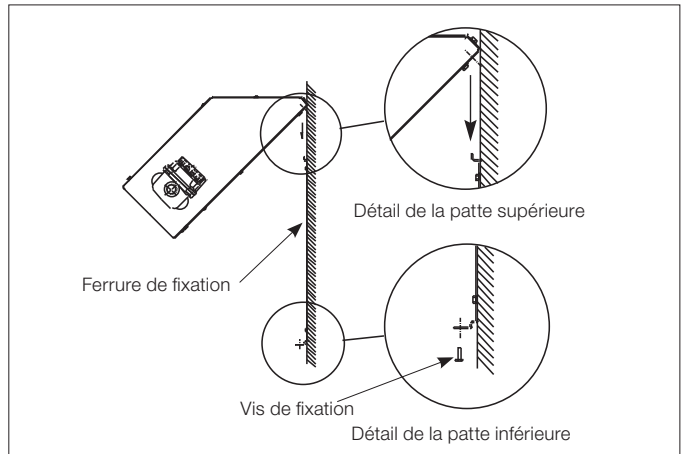


Figure 2

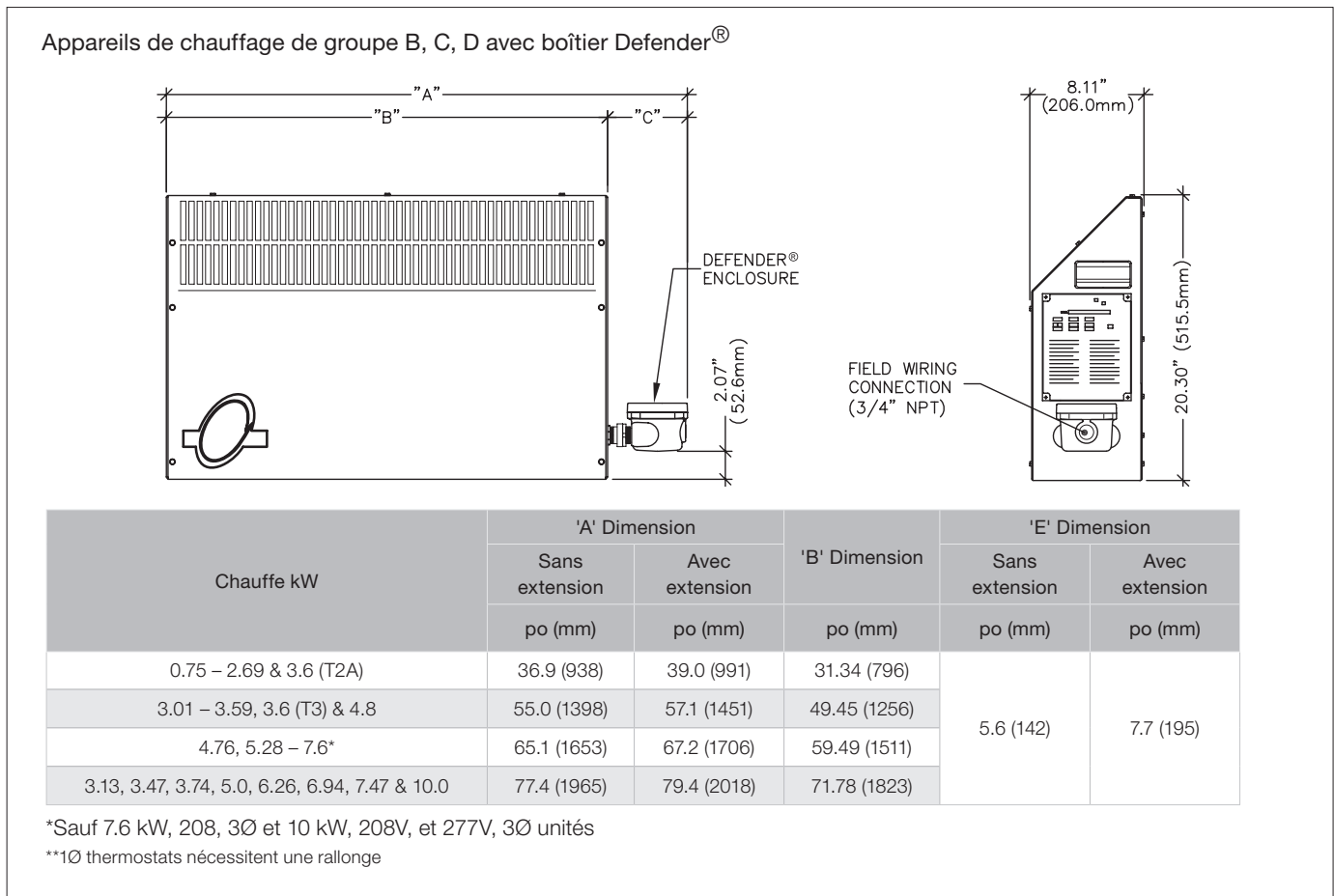
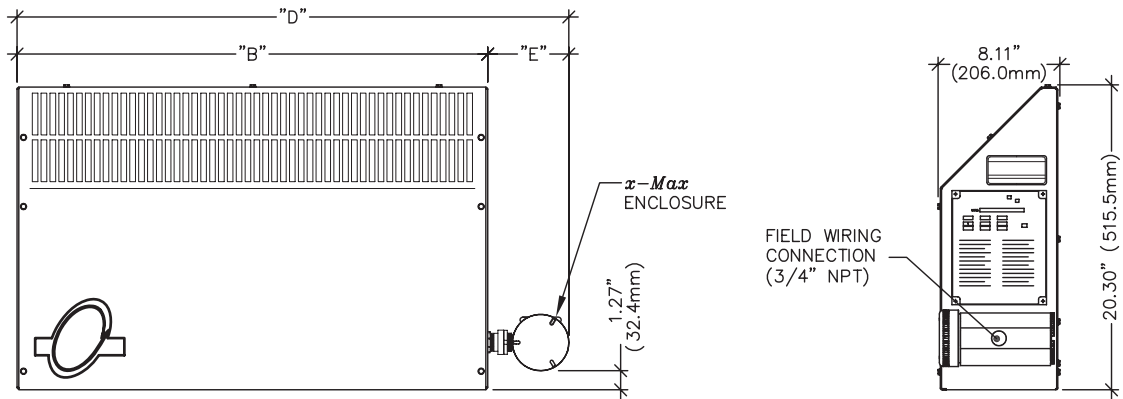


Figure 3 – Dimensions

Appareils de chauffage de groupe A, B, C, D avec boîtier *x-Max*®



Chauffe kW	'D' Dimension			'B' Dimension	'E' Dimension		
	1Ø Sans extension	1Ø* Avec extension	3Ø Unités		Sans extension	Avec extension	3Ø Unités
	po (mm)	po (mm)	po (mm)		po (mm)	po (mm)	po (mm)
0.75 à 2.69 & 3.6 (T2A)	37.6 (954)	39.6 (1007)	38.3 (973)	31.34 (796)	6.2 (158)	8.3 (211)	7.0 (177)
3.01 à 3.59, 3.6 (T3) & 4.8	55.7 (1414)	57.8 (1467)	56.4 (1433)	49.45 (1256)			
4.76, 5.28 à 7.6*	65.7 (1669)	67.8 (1722)	66.5 (1688)	59.49 (1511)			
3.13, 3.47, 3.74, 5.0, 6.26, 6.94, 7.47 & 10.0	78.0 (1981)	80.1 (2034)	78.7 (2000)	71.78 (1823)			

**1Ø thermostats nécessitent une rallonge

Figure 4 – Dimensions

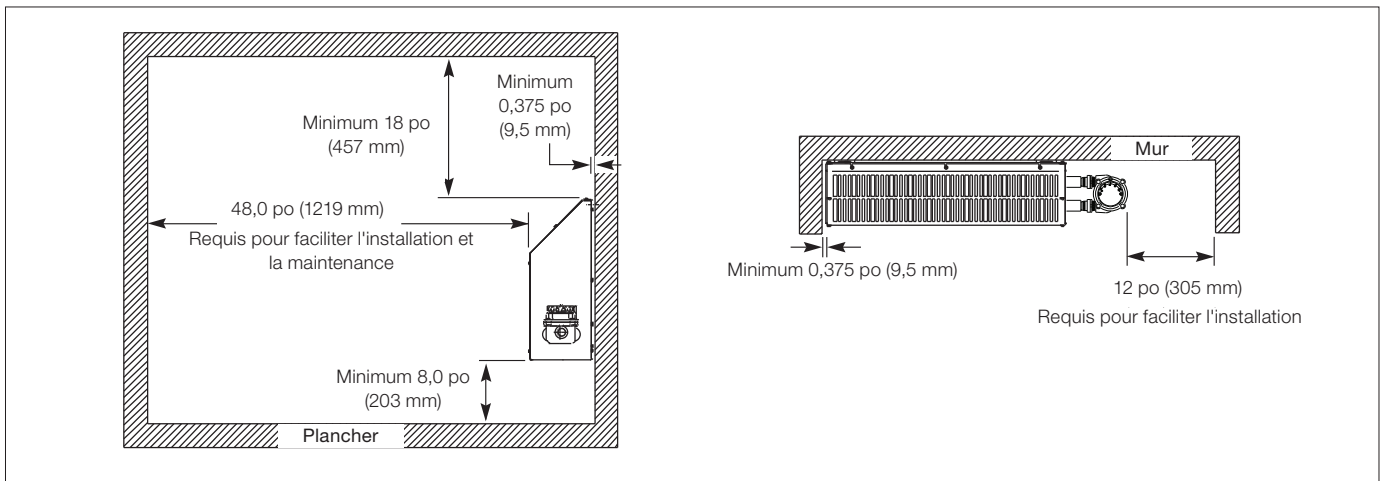


Figure 5 – Les distances de dégagement

C.2 Installation électrique



AVERTISSEMENT. Déconnectez l'alimentation électrique avant d'installer le chauffage.

Bloquez l'interrupteur en position « **OFF** » (ouvert) ou marquez l'interrupteur pour éviter une mise en marche imprévue de l'alimentation.

Pour les chauffages marqués « IIC », assurez-vous de desserrer les vis d'arrêt avant de retirer le couvercle. L'installation et le câblage de l'appareil de chauffage doivent être conformes à tous les codes applicables.

1. Généralités

- 1.1 Pour l'installation, n'utiliser que des conducteurs de cuivre et suivre les méthodes approuvées de câblage antidéflagrant. Pour dimensionner correctement les conducteurs appropriés, vérifier les valeurs nominales de tension, d'ampérage et de puissance indiquées à la section H. Données techniques du CX1, page 28 et sur la plaque signalétique du réchauffeur. Tous les conducteurs d'alimentation doivent pouvoir supporter une température de fonctionnement s'élevant jusqu'à 194°F (90°C).
- 1.2 La tension d'alimentation doit être à ± 10 % de la tension spécifiée sur la plaque signalétique. Installer un dispositif de protection contre les surintensités de courant, adéquat pour la tension, l'ampérage et la fréquence indiqués sur la plaque signalétique.

2. Câblage sur place

- 2.1 L'appareil de chauffage est fourni avec un boîtier ayant une ouverture fileté de 3/4 po NPT ou 1 po NPT pour les conducteurs d'alimentation (voir Figure 4, page 22 et Figure 5, page 22 pour les détails concernant la connexion). Utiliser des connecteurs de fil pouvant supporter une température de 194°F (90°C) au minimum.

REMARQUE: En cas d'utilisation de thermostats à distance différents de ceux livrés par le fabricant, s'assurer qu'ils maintiendront la température ambiante inférieure à la température ambiante admissible du thermostat (104°F/40°C) et qu'ils sont conformes à la classe d'atmosphère dangereuse du lieu d'installation. S'assurer que les caractéristiques de tension et d'ampérage des dispositifs de régulation utilisés correspondent à celles du réchauffeur. Sinon, un contacteur peut être requis.

3. Inspection Finale

Avant de mettre sous tension:

- 3.1 S'assurer que toutes les connexions sont serrées et conformes au schéma de câblage (voir la Figure 4, page 22 et Figure 5, page 22 et aux codes en vigueur;
- 3.2 Confirmer que la tension d'alimentation et de phase sont compatibles avec les spécifications de la plaque de données;
- 3.3 Retirer tout corps étranger de l'intérieur du réchauffeur; et
- 3.4 S'assurer que tous les raccords externes et les panneaux du boîtier sont bien fixés.

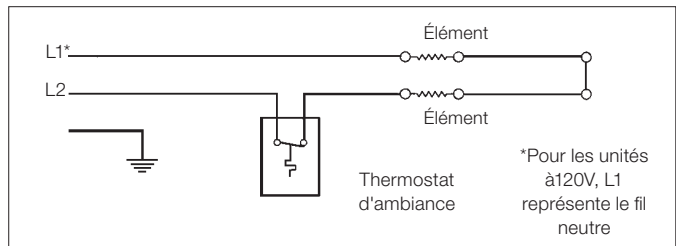


Figure 6 – Schéma de câblage pour thermostats d'ambiance intégrés ou à distance (1Ø unités)

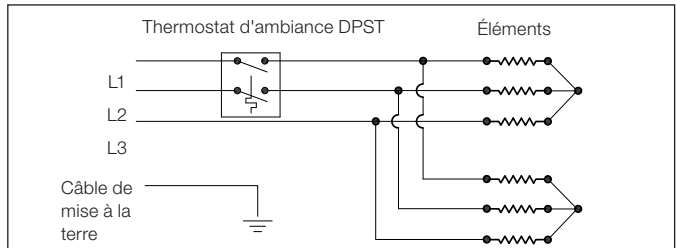


Figure 7 – Schéma de câblage pour thermostats d'ambiance intégrés ou à distance (3Ø unités)

D. SPÉCIFICATIONS

		Puissance nominale kW			
		0.75 - 2.69 & 3.6 (T2A)	3.01, 3.33, 3.59, 3.6 (T3), 4.8	4.76, 5.28, 5.68, 7.6	3.13, 3.47, 3.74, 5.0, 6.26, 6.94, 7.47, 10.0
Longueur du cabinet	po	31.3	49.4	59.5	71.8
	mm	796	1256	1511	1823
Poids net	lbs	55.3	80.7	92.8	107.6
	kg	25.1	36.6	42.1	48.9
Poids à la l'expédition	lbs	65	95	105	122
	kg	30	44	47.6	55.5

Spécifications pour modèles

- Emplacements dangereux**

Sans t-stat intégré*
Classe I, Div. 1 et 2, Groupes B, C, et D; Zones 1 et 2 Groupes IIA, IIB + H₂ (Defender® boîtier)
Classe I, Div. 1 et 2, Groupes A, B, C, et D, Groupes IIA, IIB, IIC (**x-Max**®)

Avec t-stat intégré*
Classe I, Div. 1 et 2, Groupes C, & D, Zones 1 & 2, Groupes IIA, IIB (Defender® boîtier)
ou, Classe I, Div. 1 & 2, Groupes A, B, C, D, Zones 1 & 2, Groupes IIA, IIB. IIC (**x-Max**®)
- Boîtiers**

Defender® boîtier est en fonte d'aluminium avec vis sur le couvercle, Groupes IIB. **x-Max**® logement est en aluminium extrudé avec deux couvercles vissés. Le **x-Max**® offre le logement IP55 protection contre la pénétration d'humidité, Groupes IIC. Pour une utilisation en intérieur sec seulement. Ne pas plonger dans l'eau. Ne pas entreposer ou utiliser dans des zones exposées à la pluie ou la neige.
- Ferrures de fixation**

Deux supports en acier galvanisé de calibre 14 (0,075 po/1,90 mm).
- Éléments de chauffage**

Éléments à blindage en Incoloy®.
- Matériau du boîtier**

En acier de calibre 14. Le panneau arrière est galvanisé. Les panneaux avant et latéraux sont recouverts d'un revêtement en poudre d'époxyde cuite gris verdâtre avec prétraitement en cinq étapes, dont au phosphate de fer.
- Code de température**

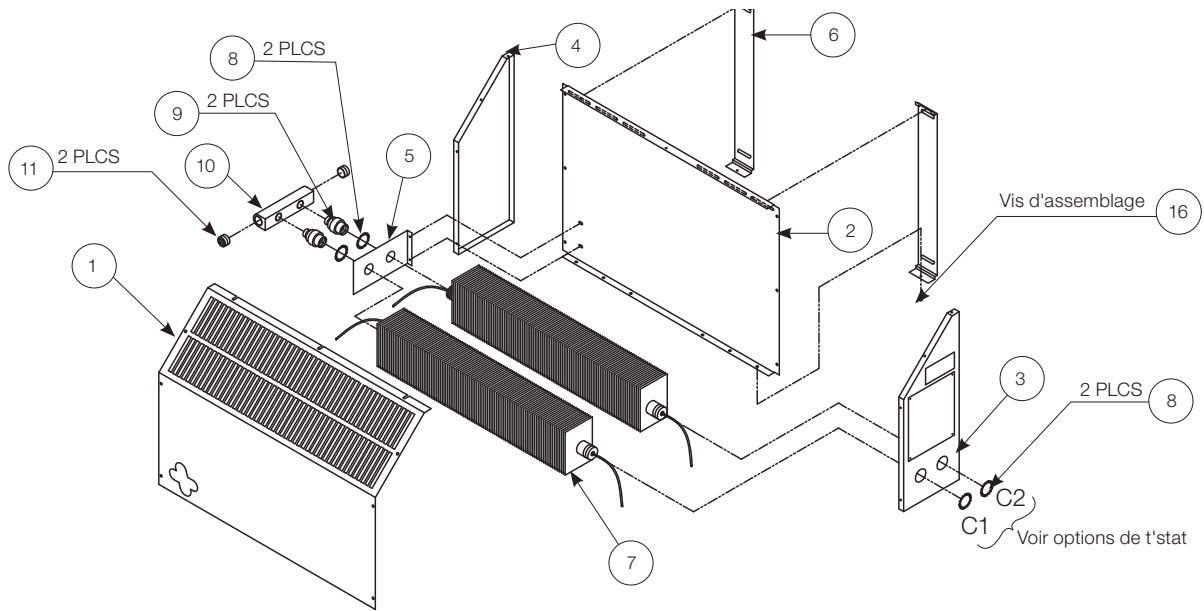
T2A 536°F (280°C), T3 392°F (200°C)
- Limites de température**

Fonctionnement: -49°F à 104°F (-45°C à 40°C)
Entreposage: -49°F à 176°F (-45°C à 80°C)

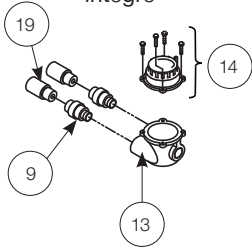
*Les cotes des emplacements dangereux sont tributaires de la boîte de jonction utilisée.

S'il vous plaît consulter un représentant du service à la clientèle ou la plaque de l'unité de données pour les cotes emplacement réel.

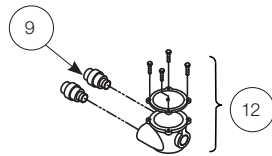
E. DIAGRAMME DES PIÈCES



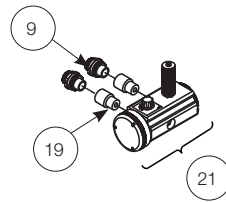
IIB Option avec t'stat intégré



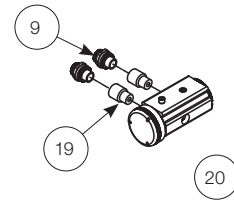
IIB + H₂ Option sans t'stat intégré



IIC Option avec T3 code t'stat intégré

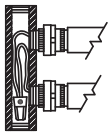


IIC Option sans T3 code t'stat intégré

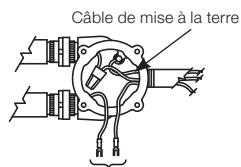


1-Phase Wiring

Vue détaillée du conduit

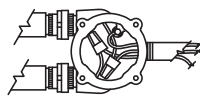


Filage avec IIB intégré

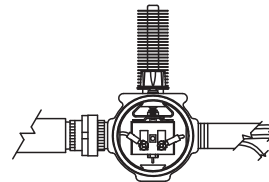


Brancher sur les «commun» et «norm. ouvert» du t'stat intégré

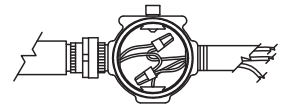
Filage sans IIB+H₂ intégré



Filage avec IIC intégré

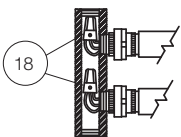


Filage sans IIC intégré

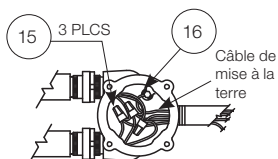


3-Phase Wiring

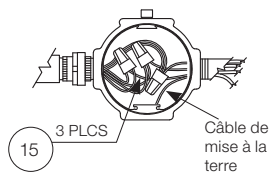
Vue détaillée du conduit



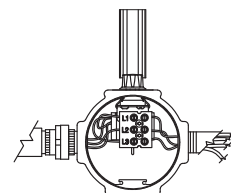
Filage sans IIB+H₂ intégré



Filage sans IIC intégré



Filage avec IIC intégré



F. LISTE DES PIÈCES

Merci de préparervos numéros de modèle et de série avant d'appeler.

Article	Description	Longueur du cabinet							
		31,5 po (796 mm)		49,4 po (1256 mm)		59,5 po (1511 mm)		71,78 po (1823 mm)	
		No. de pièce	Qté	No. de pièce	Qté	No. de pièce	Qté	No. de pièce	Qté
1	Panneau avant	6488	1	6493	1	6490	1	12305	1
2	Panneau arrière	6487	1	6494	1	6489	1	12306	1
3	Panneau droit - 1Ø unités	6491	1	6491	1	6491	1	6491	1
	Panneau droit - 3Ø unités	12304	1	12304	1	12304	1	12304	1
4	Panneau gauche	6492	1	6492	1	6492	1	6492	1
5	Ferrure, tuyau à ailette - 1Ø unités	6485	1	6485	1	6485	1	6485	1
	Ferrure, tuyau à ailette - 3Ø unités	12303	1	12303	1	12303	1	12303	1
6	Ferrures de fixation au mur	6602	1	6602	1	6602	1	6602	1
7	Tuyaux à ailettes avec élément	*	2	*	2	*	2	*	2
8	Écrou 3/4 po aluminium- 1Ø unités	6449	4	6449	4	6449	4	6449	4
	Écrou 1 po NPT- 3Ø unités	12676	4	12676	4	12676	4	12676	4
9	Raccord-union 3/4 po NPT mâle/femelle - 1Ø unités	6506	4	6506	4	6506	4	6506	4
	Raccord-union 1 po NPT femelle - 3Ø unités	12677	2	12677	2	12677	2	12677	2
	Raccord-union 1 po NPT mâle/femelle - 3Ø unités	12787	2	12787	2	12787	2	12787	2
10	Conduit d'élément	6497	1	6497	1	6497	1	6497	1
11	Bouchon antidéflagrant 3/4 po	1443	2	1443	2	1443	2	1443	2
12	Ens. boîtier, Groupe B, (IIB + H ₂)	6604	1	6604	1	6604	1	6604	1
13	Boîtier du convecteur	6211	1	6211	1	6211	1	6211	1
14	Thermostat XCT intégré	6603	1	6603	1	6603	1	6603	1
15	Connecteur fil 150 °C (302 °F)	**							
16	Vis à tôle, 10-24 x 1/2 po	4972	20	4972	21	4972	22	4972	24
17	Connect. fourche 12-10GA #10	2088	2	2088	2	2088	2	2088	2
18	Connecteur fil 300 °C (+)	6529	+	6529	+	6529	+	6529	+
19	Rallonge de Tube - 1Ø unités	7202	2	7202	2	7202	2	7202	2
20	Ens. thermostat intégré, XT - 1Ø unités	11773	1	11773	1	11773	1	11773	1
21	Ens. thermostat intégré, XT - 3Ø unités	13728	1	13728	1	12876	1	12876	1
22	Réduire douille - 3Ø unités	12679	2	12679	2	12679	2	12679	2
23	Tube Fileté - 3Ø unités	12678	2	12678	2	12678	2	12678	2
24	Réduire 3/4 x 1 po mâle/femelle - 3Ø unités	12867	2	12867	2	12867	2	12867	2

Remarques

* Contactez l'usine pour le kit de remplacement du tuyau à ailettes et d'élément.

** Fourni par le client. Quantité variable: 1 (pour l'option thermostat intégré) ou 2 (pour l'option thermostat à distance).

*** 7,6 kW; 208V; 3Ø et 10k W; 208V; 240V et 277V, 3Ø seulement.

+ La quantité nécessaire est variable : 1 pour 1Ø, 2 pour 3Ø

G. RÉPARATION ET REMPLACEMENT



AVERTISSEMENT. Couper l'alimentation électrique avant d'installer le réchauffeur. Régler l'interrupteur à la position "**OFF**" (arrêt) ou l'étiqueter pour empêcher tout branchement accidentel. Les surfaces du réchauffeur peuvent être chaudes.

G.1 En semble de tuyaux à ailettes avec élément

L'ensemble complet de tuyaux à ailettes avec élément est disponible auprès du fabricant. Consulter la section E. Diagramme des pièces, page 25 pour les numéros de pièces.

1. Retirer le panneau avant du boîtier (article N° 1).
2. Découplez les deux raccords (article N° 9) qui relie l'enveloppe du radiateur et le tuyau à ailettes (article N° 7).
3. Retirez la prise NPT de 3/4 po (article N° 11) du conduit (article N° 10) et tirez le connecteur de câble puis débranchez les fils.
4. Retirer le bouchon de 3/4 po NPT (article N° 11) du conduit d'élément (article N° 10), puis tirer pour sortir le connecteur de fil et débrancher les fils.
5. Défaire les deux autres raccords-union et retirer le conduit d'élément.
6. Retirer les raccords-union et l'écrou de blocage (article N° 8) des extrémités de chaque tuyau à ailettes devant être remplacé et les garder pour les réutiliser avec les nouveaux tuyaux à ailettes du fabricant.
7. Retirer les vis des pattes inférieures des ferrures de fixation au mur (article N° 6), retirer le réchauffeur des ferrures de fixation au mur et desserrer les vis de la ferrure du tuyau à ailettes (article N° 5).
8. Retirer les tuyaux à ailettes (avec élément) endommagés et installer de nouveaux tuyaux à ailettes.
9. Remonter le réchauffeur en suivant la procédure précédente, mais dans l'ordre inverse.

IMPORTANT: Tous les raccords filetés doivent être serrés avec une clé en vissant d'au moins 5 tours.

G.2 Panneaux de boîtier et ferrures de fixation

Les pièces de rechange des panneaux de boîtier et des ferrures de fixation de rechange sont disponibles auprès du fabricant.

REMARQUE: Pour des raisons pratiques et de sécurité, toutes les réparations et tous les travaux de maintenance doivent être effectués en utilisant les pièces et matériaux originaux du fabricant.

H. DONNÉES TECHNIQUES DU CX1

H.1 1-Phase

Modèle	kW (Btu/hr)	Tension nominale	Groupe de gaz				Calibre de câble d'alim. ***	Courant nominal	Fusible de circuit	Longueur du boîtier		Code de température
			IIB + H2	IIB	IIC					po	mm	
		V	Sans t'stat	Avec t'stat	Sans t'stat	Avec t'stat	AWG	A	A			
CX1-120160-012-T3	1.2 (4095)	120		✓		✓	12	10.0	15	31.3	796	T3 (200)
CX1-120160-018-T3	1.8 (6142)	120		✓		✓	12	15.0	20	31.3	796	T3 (200)
CX1-208160-012-T3	1.2 (4095)	208		✓		✓	12	5.8	15	31.3	796	T3 (200)
CX1-208160-018-T3	1.8 (6142)	208		✓		✓	12	8.7	15	31.3	796	T3 (200)
CX1-208160-036-T3**	3.6 (12284)	208		✓		✓	12	17.3	25	49.5	1256	T3 (200)
CX1-208160-048-T2A	4.8 (16378)	208		N/A		✓	8	23.1	30	49.5	1256	T2A (280)
CX1-208160-050-T3	5.0 (17060)	208		N/A		✓	8	24.0	30	71.8	1823	T3 (200)
CX1-208160-076-T2A	7.6 (25932)	208		N/A		N/A	8	36.5	50	59.5	1511	T2A (280)
CX1-240160-012-T3	1.2 (4095)	240		✓		✓	12	5.0	15	31.3	796	T3 (200)
CX1-240160-018-T3	1.8 (6142)	240		✓		✓	12	7.5	15	31.3	796	T3 (200)
CX1-240160-036-T3**	3.6 (12284)	240		✓		✓	12	15.0	20	49.5	1256	T3 (200)
CX1-240160-048-T2A	4.8 (16378)	240		✓		✓	10	20.0	25	49.5	1256	T2A (280)
CX1-240160-050-T3	5.0 (17060)	240		✓		✓	8	20.8	30	71.8	1823	T3 (200)
CX1-240160-076-T2A	7.6 (25932)	240		N/A		N/A	8	31.7	40	59.5	1511	T2A (280)
CX1-277160-012-T3	1.2 (4095)	277		✓		✓	12	4.3	15	31.3	796	T3 (200)
CX1-277160-018-T3	1.8 (6142)	277		✓		✓	12	6.5	15	31.3	796	T3 (200)
CX1-277160-036-T3**	3.6 (12284)	277		✓		✓	12	13.0	20	49.5	1256	T3 (200)
CX1-277160-048-T2A	4.8 (16378)	277	✓	✓	✓	✓	12	17.3	25	49.5	1256	T2A (280)
CX1-277160-050-T3	5.0 (17060)	277		✓		✓	8	18.1	25	71.8	1823	T3 (200)
CX1-277160-076-T2A	7.6 (25932)	277		N/A		N/A	8	27.4	35	59.5	1511	T2A (280)
CX1-380160-0075-T3	0.75 (2560)	380		✓		✓	12	2.0	15	31.3	796	T3 (200)
CX1-380160-0113-T3	1.13 (3856)	380		✓		✓	12	3.0	15	31.3	796	T3 (200)
CX1-380160-012-T3	1.2 (4095)	380		✓		✓	12	3.2	15	31.3	796	T3 (200)
CX1-380160-018-T3	1.8 (6142)	380		✓		✓	12	4.7	15	31.3	796	T3 (200)
CX1-380160-0226-T2A	2.26 (7711)	380		✓		✓	12	5.9	15	31.3	796	T2A (280)
CX1-380160-0301-T3	3.01 (10271)	380		✓		✓	12	7.9	15	49.5	1256	T3 (200)
CX1-380160-0313-T3	3.13 (10680)	380		✓		✓	12	8.2	15	71.8	1823	T3 (200)
CX1-380160-036-T3**	3.6 (12284)	380		✓		✓	12	9.5	15	49.5	1256	T3 (200)
CX1-380160-0476-T2A	4.76 (16241)	380		✓		+	10	12.5	20	59.5	1511	T2A (280)
CX1-380160-048-T2A	4.8 (16378)	380		✓		✓	10	12.6	20	49.5	1256	T2A (280)
CX1-380160-050-T3	5.0 (17060)	380		✓		✓	10	13.2	20	71.8	1823	T3 (200)
CX1-380160-0626-T2A	62.6 (21360)	380		✓		N/A	8	16.5	25	71.8	1823	T2A (280)
CX1-380160-076-T2A	7.6 (25932)	380		✓		N/A	8	20.0	25	59.5	1511	T2A (280)
CX1-380160-100-T2A	10.0 (34121)	380		N/A		N/A	8	26.3	35	71.8	1823	T2A (280)
CX1-400160-0083-T3	0.83 (2832)	400		✓		✓	12	2.1	15	31.3	796	T3 (200)
CX1-400160-012-T3	1.2 (4095)	400		✓		✓	12	3.0	15	31.3	796	T3 (200)

Remarques

* Ou disjoncteur équivalent conforme aux normes locales d'inspection électrique.

** Pour 3,6 kW chauffage nominal longueur armoire T3 est de 49,5 po (1256 mm).
3,6 chauffe kW longueur armoire T2A est de 31,3 po (796 mm).

***Assurez-vous de fournir adhérence à la taille de fil locaux et nationaux applicables codes électriques.

1. Le réchauffeur fonctionne normalement si, à la tension nominale, l'ampérage est à 10% près de la valeur de ce tableau.
2. Le fonctionnement à une tension inférieure à la tension nominale réduira la puissance consommée et l'ampérage.
Puissance réelle (kW) = [(Tension d'alimentation)² ÷ (Tension nominale)²] x Puissance nominale (kW).
3. Ajouter le suffixe «T» pour option thermostat intégré. Thermostat n'est pas disponible sur les modèles IIB + H2.

Modèle	kW (Btu/hr)	Tension nominale V	Groupe de gaz				Calibre de câble d'aim. *** AWG	Courant nominal A	Fusible de circuit A	Longueur du boîtier		Code de température
			IIB + H2	IIB	IIC					po	mm	
			Sans t'stat	Avec t'stat	Sans t'stat	Avec t'stat						
CX1-400160-0125-T3	1.25 (4565)	400		✓		+	12	3.1	15	31.3	796	T3 (200)
CX1-400160-018-T3	1.8 (6142)	400		✓		✓	12	4.5	15	31.3	796	T3 (200)
CX1-400160-025-T2A	2.5 (8530)	400		✓		✓	12	6.3	15	31.3	796	T2A (280)
CX1-400160-0333-T3	3.33 (11362)	400		✓		✓	12	8.3	15	49.5	1256	T3 (200)
CX1-400160-0347-T3	3.47 (11840)	400		✓		✓	12	8.7	15	71.8	1823	T3 (200)
CX1-400160-036-T3**	3.6 (12284)	400		✓		✓	12	9.0	15	49.5	1256	T3 (200)
CX1-400160-048-T2A	4.8 (16378)	400		✓		✓	10	12.0	15	49.5	1256	T2A (280)
CX1-400160-050-T3	5.0 (17060)	400		✓		✓	10	12.5	20	71.8	1823	T3 (200)
CX1-400160-0528-T2A	5.28 (18016)	400		✓		✓	10	13.2	20	59.5	1511	T2A (280)
CX1-400160-0694-T3	6.94 (23680)	400		✓		N/A	8	17.4	25	71.8	1823	T3 (200)
CX1-400160-076-T2A	7.6 (25932)	400		✓		N/A	8	19.0	30	59.5	1511	T2A (280)
CX1-400160-100-T2A	10.0 (34121)	400		N/A		N/A	8	25.0	35	71.8	1823	T2A (280)
CX1-415160-009-T3	0.9 (3071)	415		✓		✓	12	2.2	15	31.3	796	T3 (200)
CX1-415160-012-T3	1.2 (4095)	415		✓		✓	12	2.9	15	31.3	796	T3 (200)
CX1-415160-0135-T3	1.35 (4606)	415		✓		✓	12	3.3	15	31.3	796	T3 (200)
CX1-415160-018-T3	1.8 (6142)	415		✓		✓	12	4.3	15	31.3	796	T3 (200)
CX1-415160-0269-T2A	2.69 (9179)	415		✓		✓	12	6.5	15	31.3	796	T2A (280)
CX1-415160-0359-T3	3.59 (12250)	415		✓		✓	12	8.7	15	49.5	1256	T3 (200)
CX1-415160-036-T3**	3.6 (12284)	415		✓		✓	12	8.7	15	49.5	1256	T3 (200)
CX1-415160-0374-T3	3.74 (12761)	415	✓	✓	✓	✓	12	9.0	15	71.8	1823	T3 (200)
CX1-415160-048-T2A	4.8 (16378)	415	✓	✓	✓	✓	10	11.6	15	49.5	1256	T2A (280)
CX1-415160-050-T3	5.0 (17060)	415		✓		✓	10	12.0	15	71.8	1823	T3 (200)
CX1-415160-0568-T2A	5.68 (19381)	415		✓		✓	10	13.7	20	59.5	1511	T2A (280)
CX1-415160-0747-T2A	7.47 (25488)	415		✓		N/A	8	18.0	25	71.8	1823	T2A (280)
CX1-415160-076-T2A	7.6 (25932)	415		✓		N/A	8	18.3	25	59.5	1511	T2A (280)
CX1-415160-100-T2A	10.0 (34121)	415		N/A		N/A	8	24.1	35	71.8	1823	T2A (280)
CX1-480160-012-T3	1.2 (4095)	480		✓		✓	12	2.5	15	31.3	796	T3 (200)
CX1-480160-018-T3	1.8 (6142)	480		✓		✓	12	3.8	15	31.3	796	T3 (200)
CX1-480160-036-T3**	3.6 (12284)	480		✓		✓	12	7.5	15	49.5	1256	T3 (200)
CX1-480160-048-T2A	4.8 (16378)	480		✓		✓	12	10.0	15	49.5	1256	T2A (280)
CX1-480160-050-T3	5.0 (17060)	480		✓		✓	12	10.4	15	71.8	1823	T3 (200)
CX1-480160-076-T2A	7.6 (25932)	480		✓		N/A	10	15.8	20	59.5	1511	T2A (280)
CX1-480160-100-T2A	10.0 (34121)	480		✓		N/A	8	20.8	30	71.8	1823	T2A (280)
CX1-600160-012-T3	1.2 (4095)	600		N/A		✓	12	2.0	15	31.3	796	T3 (200)
CX1-600160-018-T3	1.8 (6142)	600		N/A		✓	12	3.0	15	31.3	796	T3 (200)
CX1-600160-036-T3**	3.6 (12284)	600		N/A		✓	12	6.0	15	49.5	1256	T3 (200)
CX1-600160-048-T2A	4.8 (16378)	600		N/A		✓	12	8.0	15	49.5	1256	T2A (280)
CX1-600160-050-T3	5.0 (17060)	600		N/A		✓	12	8.3	15	71.8	1823	T3 (200)
CX1-600160-076-T2A	7.6 (25932)	600		N/A		✓	12	12.7	20	59.5	1511	T2A (280)
CX1-600160-100-T2A	10.0 (34121)	600		N/A		N/A	10	16.7	25	71.8	1823	T2A (280)

- Ajouter le suffixe «H» pour option haute température de stockage ambiante. Option haute température de stockage n'est pas disponible avec l'option thermostat. Non disponible sur les modèles IIB.
- Pour le modèle IIB avec Defender® thermostat intégré - Classe I, Div. 1 & 2, Groupes C et D; Zones 1 & 2, Groupes IIA et IIB.
- Pour IIC modèle XT avec thermostat intégré - Classe I, Div. 1 & 2, Groupes A, B, C et D; Zones 1 & 2, Groupes IIA, IIB et IIC.
- Regroupement des unités de la SII sont livrés avec **x-Max**® logement.

- Monté à distance, Defender, thermostats d'ambiance anti-explosion ne sont pas adaptés pour le Groupe B & IIC applications.
- Contacteurs à distance sont nécessaires sur tous les chauffe-600V et appareils de chauffage avec un appel de courant supérieur à 22 ampères (fournie et installée par d'autres), lors de l'utilisation XT-311 thermostat à distance.
- Codification de température: T2A - 536°F (280°C), T3 - 392°F (200°C) .

H.2 3-Phase

Modèle	kW (Btu/hr)	Tension nominale V	Groupe de gaz				Calibre de câble d'aim. *** AWG	Courant nominal A	Fusible de circuit A	Longueur du boîtier po (mm)	Code de température mm
			IIB + H2	IIB	IIC						
			Sans t'stat	Avec t'stat	Sans t'stat	Avec t'stat					
CX1-208360-012-T3	1.2 (4095)	208	✓				12	3.3	15	31.3 (796)	T3 (200)
CX1-208360-018-T3	1.8 (6142)	208	✓				12	5.0	15	31.3 (796)	T3 (200)
CX1-208360-036-T3**	3.6 (12284)	208	✓				12	10.0	15	49.5 (1256)	T3 (200) T2A (280)
CX1-208360-048-T2A	4.8 (16378)	208	✓				10	13.3	20	49.5 (1256)	T2A (280)
CX1-208360-050-T3	5.0 (17060)	208	✓				10	13.9	20	71.8 (1823)	T3 (200)
CX1-208360-076-T2A	7.6 (25932)	208	N/A				8	21.1	30	59.5 (1511)	T2A (280)
CX1-208360-100-T2A	10.0 (34121)	208	N/A				8	27.8	35	71.8 (1823)	T2A (280)
CX1-240360-012-T3	1.2 (4095)	240	✓				12	2.9	15	31.3 (796)	T3 (200)
CX1-240360-018-T3	1.8 (6142)	240	✓				12	4.3	15	31.3 (796)	T3 (200)
CX1-240360-036-T3**	3.6 (12284)	240	✓				12	8.7	15	49.5 (1256)	T3 (200) T2A (280)
CX1-240360-048-T2A	4.8 (16378)	240	✓				12	11.5	20	49.5 (1256)	T2A (280)
CX1-240360-050-T3	5.0 (17060)	240	✓				12	12.0	15	71.8 (1823)	T3 (200)
CX1-240360-076-T2A	7.6 (25932)	240	✓				10	18.3	25	59.5 (1511)	T2A (280)
CX1-240360-100-T2A	10.0 (34121)	240	N/A				8	24.1	35	71.8 (1823)	T2A (280)
CX1-277360-012-T3	1.2 (4095)	277	✓	N/A	✓	✓	12	2.5	15	31.3 (796)	T3 (200)
CX1-277360-018-T3	1.8 (6142)	277	✓				12	3.8	15	31.3 (796)	T3 (200)
CX1-277360-036-T3**	3.6 (12284)	277	✓				12	7.5	15	49.5 (1256)	T3 (200) T2A (280)
CX1-277360-048-T2A	4.8 (16378)	277	✓				12	10.0	15	49.5 (1256)	T2A (280)
CX1-277360-050-T3	5.0 (17060)	277	✓				12	10.4	15	71.8 (1823)	T3 (200)
CX1-277360-076-T2A	7.6 (25932)	277	✓				10	15.8	20	59.5 (1511)	T2A (280)
CX1-277360-100-T2A	10.0 (34121)	277	N/A				8	20.8	30	71.8 (1823)	T2A (280)
CX1-380360-0113-T3	1.13 (3856)	380	✓				12	1.7	15	31.3 (796)	T3 (200)
CX1-380360-0226-T2A	2.26 (7711)	380	✓				12	3.4	15	31.3 (796)	T2A (280)
CX1-380360-0301-T3	3.01 (10271)	380	✓				12	4.6	15	49.5 (1256)	T3 (200)
CX1-380360-0313-T3	3.13 (10680)	380	✓				12	4.8	15	71.8 (1823)	T3 (200)
CX1-380360-0476-T2A	4.76 (16241)	380	✓				12	7.2	15	59.5 (1511)	T2A (280)
CX1-380360-050-T3	5.0 (17060)	380	✓				12	7.6	15	71.8 (1823)	T3 (200)
CX1-380360-0626-T2A	6.26 (21360)	380	✓				12	9.5	15	71.8 (1823)	T2A (280)
CX1-380360-100-T2A	10.0 (34121)	380	✓				10	15.2	20	71.8 (1823)	T2A (280)

Remarques

* Ou disjoncteur équivalent conforme aux normes locales d'inspection électrique.

** Pour 3,6 kW chauffage nominal longueur armoire T3 est de 49,5 po (1256 mm), 3. chauffe kW longueur armoire T2A est de 31,3 po (796 mm).

***Assurez-vous de fournir adhérence à la taille de fil locaux et nationaux applicables codes électriques.

- Disponible en IIB seulement

1. Le réchauffeur fonctionne normalement si, à la tension nominale, l'ampérage est à 10% près de la valeur de ce tableau.
2. Le fonctionnement à une tension inférieure à la tension nominale réduira la puissance consommée et l'ampérage.
Puissance réelle (kW) = [(Tension d'alimentation)² ÷ (Tension nominale)²] x Puissance nominale (kW).
3. Ajouter le suffixe «T» pour option thermostat intégré. Thermostat n'est pas disponible sur les modèles IIB + H2.

Modèle	kW (Btu/hr)	Tension nominale V	Groupe de gaz				Calibre de câble d'alim. *** AWG	Courant nominal A	Fusible de circuit A	Longueur du boîtier po (mm)	Code de température mm
			IIB + H2	IIB	IIC						
			Sans t'stat	Avec t'stat	Sans t'stat	Avec t'stat					
			✓	✓	✓	✓					
CX1-400360-0125-T3	1.25 (4565)	400	✓				12	1.8	15	31.3 (796)	T3 (200)
CX1-400360-025-T2A	2.5 (8530)	400	✓				12	3.6	15	31.3 (796)	T2A (280)
CX1-400360-0333-T3	3.33 (11362)	400	✓				12	4.8	15	49.5 (1256)	T3 (200)
CX1-400360-0347-T3	3.47 (11840)	400	✓				12	5.0	15	71.8 (1823)	T3 (200)
CX1-400360-050-T3	5.0 (17060)	400	✓				12	7.2	15	71.8 (1823)	T3 (200)
CX1-400360-0528-T2A	5.28 (18016)	400	✓				12	7.6	15	59.5 (1511)	T2A (280)
CX1-400360-0694-T2A	6.94 (23680)	400	✓				12	10.0	15	71.8 (1823)	T3 (200)
CX1-400360-100-T2A	10.0 (34121)	400	✓				10	14.4	20	71.8 (1823)	T2A (280)
CX1-415360-0135-T3	1.35 (4606)	415	✓				12	1.9	15	31.3 (796)	T3 (200)
CX1-415360-0269-T2A	2.69 (9179)	415	✓				12	3.7	15	31.3 (796)	T2A (280)
CX1-415360-0359-T3	3.59 (12250)	415	✓				12	5.0	15	49.5 (1256)	T3 (200)
CX1-415360-0374-T3	3.74 (12761)	415	✓				12	5.2	15	71.8 (1823)	T3 (200)
CX1-415360-050-T3	5.0 (17060)	415	✓				12	7.0	15	71.8 (1823)	T3 (200)
CX1-415360-0568-T2A	5.68 (19381)	415	✓				12	7.9	15	59.5 (1511)	T2A (280)
CX1-415360-0747-T2A	7.47 (25488)	415	✓	N/A	✓	✓	12	10.4	15	71.8 (1823)	T2A (280)
CX1-415360-100-T2A	10.0 (34121)	415	✓				10	13.9	20	71.8 (1823)	T2A (280)
CX1-480360-018-T3	1.8 (6142)	480	✓				12	2.2	15	31.3 (796)	T3 (200)
CX1-480360-036-T3**	3.6 (12284)	480	✓				12	4.3	15	49.5 (1256)	T3 (200) T2A (280)
CX1-480360-048-T2A	4.8 (16378)	480	✓				12	5.8	15	49.5 (1256)	T2A (280)
CX1-480360-050-T3	5.0 (17060)	480	✓				12	6.0	15	71.8 (1823)	T3 (200)
CX1-480360-076-T2A	7.6 (25932)	480	✓				12	9.1	15	59.5 (1511)	T2A (280)
CX1-480360-100-T2A	10.0 (34121)	480	✓				12	12.0	15	71.8 (1823)	T2A (280)
CX1-600360-036-T3**	3.6 (12284)	600	✓				12	3.5	15	49.5 (1256)	T3 (200) T2A (280)
CX1-600360-048-T2A	4.8 (16378)	600	✓				12	4.6	15	49.5 (1256)	T2A (280)
CX1-600360-050-T3	5.0 (17060)	600	✓				12	4.8	15	71.8 (1823)	T3 (200)
CX1-600360-076-T2A	7.6 (25932)	600	✓				12	7.3	15	59.5 (1511)	T2A (280)
CX1-600360-100-T2A	10.0 (34121)	600	✓				12	9.6	15	71.8 (1823)	T2A (280)

- Ajouter le suffixe «H» pour option haute température de stockage ambiante. Option haute température de stockage n'est pas disponible avec l'option thermostat. Non disponible sur les modèles IIB.
- Pour le modèle IIB avec Defender® thermostat intégré - Classe I, Div. 1 & 2, Groupes C et D; Zones 1 & 2, Groupes IIA et IIB.
- Pour IIC modèle XT avec thermostat intégré - Classe I, Div. 1 & 2, Groupes A, B, C et D; Zones 1 & 2, Groupes IIA, IIB et IIC.
- Regroupement des unités de la SII sont livrés avec **x-Max**® logement.
- Monté à distance, Defender®, thermostats d'ambiance anti-explosion ne sont pas adaptés pour le Groupe B & IIC applications.
- Contacteurs à distance sont nécessaires sur tous les chauffe-600V et appareils de chauffage avec un appel de courant supérieur à 22 ampères (fournie et installée par d'autres), lors de l'utilisation XT-311 thermostat à distance.
- Codification de température: T2A - 536°F (280°C), T3 - 392°F (200°C).

Pour obtenir une aide supplémentaire, veuillez appeler: 1-800-661-8529 (U.S.A. and Canada)

Merci de préparer vos numéros de modèle et de série avant d'appeler.

GARANTIE: Dans des conditions normales d'utilisation, la Société garantit à l'acheteur que les produits ayant des défauts matériels ou de fabrication seront réparés ou remplacés sans frais pour une période de 18 mois à compter de la date d'expédition ou 12 mois à partir de la date de début de fonctionnement, selon la date qui arrive à expiration la première. Toute réclamation dans le cadre de la garantie doit être adressée à l'agence commerciale dans laquelle le produit a été acheté afin d'obtenir une réparation ou un remplacement selon les termes de cette garantie.

Non obstant toute loi fédérale ou provinciale au contraire, la Société ne pourra être tenue pour responsable des frais encourus pour l'installation, le retrait du service, le transport ou les dommages de quelque nature que ce soit, y compris les dommages résultant d'un manque d'utilisation, d'interruptions d'activité ou de dommages directs ou indirects.

La Société ne peut anticiper ou contrôler les conditions d'utilisation du produit et, par conséquent, décline toute responsabilité quant à l'application et l'adaptation en toute sécurité de ses produits lors de leur utilisation seuls ou en combinaison avec d'autres produits. Il est de la seule responsabilité de l'utilisateur d'effectuer des tests pour vérifier l'application et l'adaptation en toute sécurité des produits.

Cette garantie sera nulle si, à l'appréciation de la Société, le dommage, la panne ou le défaut a été causé par:

- Des vibrations, des radiations, de l'érosion, de la corrosion, une contamination du processus, des conditions opératoires anormales, la température et la pression, une poussée ou une pulsation anormale, l'encrassement, une usure normale, un manque d'entretien, des services appliqués de manière inappropriée tels que le voltage, l'air, le gaz l'eau et autres, ou toute autorisées par les conditions de régime; ou
- Tout acte omission de la part de l'Acheteur ses agents, employés ou entrepreneur indépendant, comprenant pour une plus grande précision, mais pas au point de limiter la généralité de ce qui précède, une mauvaise utilisation physique, chimique ou mécanique, un accident, une mauvaise installation du produit, de mauvaises conditions de stockage ou de manipulation du produit, une application inappropriée ou en défaut d'alignement des pièces.

Aucune garantie ne s'applique à la finition de peinture, excepté dans le cas de défauts de fabrication apparents dans les 30 jours à compter de la date d'installation.

Le Société n'assume ni m'autorise aucune personne à assumer en son nom toute autre obligation ou responsabilité en rapport avec le/les produit(s).

L'Acheteur accepte que la Société ne fournisse aucune garantie, expresse, implicite ou légale (y comprise toute garantie de qualité marchande ou de convenance à des fins particulières), écrite ou orale, du produit ou de la main-d'oeuvre indirecte, à l'exception des dispositions exprimées ou contenues dans le présent accord.

RESPONSABILITÉ: Les données techniques contenues dans le catalogue ou sur le site Web sont sujettes à modification sans préavis. La Société se réserve le droit d'apporter des modifications par rapport aux dimensions ou à la conception si nécessaire. L'Acheteur reconnaît que la Société ne sera pas dans l'obligation de modifier ces articles manufacturés avant la formulation des modifications de conception ou des améliorations apportées au produit par la Société

La Société ne sera pas tenue de dédommager ou d'indemniser l'Acheteur, l'utilisateur final ou toute autre partie pour les actions, les réclamations les responsabilités, les préjudices les sinistres, la perte d'usage, la perte d'activité, les dommages, les dommages indirects ou consécutifs, les demandes, les sanctions, les amendes, les dépenses (y compris les dépenses légales), les pertes, les obligations et les conséquences d'une action de quelque nature que ce soit découlant entièrement ou en partie de la négligence ou de l'omission de l'utilisateur ou de la mauvaise utilisation, de la mauvaise application, de l'utilisation dangereuse, de mauvaise installation, du manque d'entretien, du mauvais entretien ou de la mauvaise opération des produits fournis par la Société.



**HEATING
SYSTEMS**

Edmonton

1-780-466-3178

F 780-468-5904

5918 Roper Road

Alberta, Canada T6B 3E1

Oakville

1-800-410-3131

1-905-829-4422

F 905-829-4430

Orillia

1-877-325-3473

1-705-325-3473

F 705-325-2106

Houston

1-855-219-2101

1-281-506-2310

F 281-506-2316

Denver

1-855-244-3128

1-303-979-7339

F 303-979-7350