

Explosion-proof Convection Panel Heater

# XB Series

Installation, Operation, & Maintenance Instructions



## Special Notes

The following special notices highlight important information in the installation and maintenance sections. Each serves a special purpose and is displayed in the format shown:



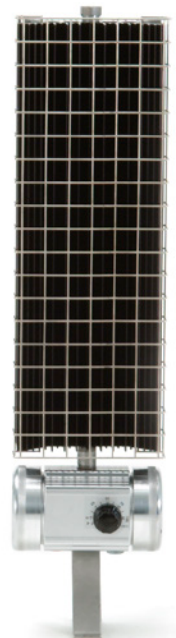
This symbol indicates a potentially hazardous situation, which, if not avoided, can result in personal injury or damage to the equipment.



This symbol indicates a potentially hazardous situation, which, if not avoided, may be a shock hazard.



This symbol indicates an imminently hazardous situation, which, if not avoided, could result in death or serious injury.



# TABLE OF CONTENTS

A. Product Certification	3
B. Pre-Installation	3
C. Installation	4
C.1 General Requirements.....	4
C.2 Reflector Baffles.....	4
C.3 Wall Mounting .....	6
C.4 Floor Mounting .....	6
D. Thermostat Installation	7
E. Wiring	7
F. Start-Up	9
G. Maintenance	9
H. Spare Parts	9

## A. PRODUCT CERTIFICATION

---

Depending on the particular model ordered, the heater is suitable for the following areas:

- CSA C/US certified for Class I, Div. 1 and 2, Groups A, B, C, and D; Class II, Div. 1 and 2, Groups E, F, and G; Class III, Div. 1 and 2; Temperature Code T2D, T3B, T4A or T6. CSA type 4, Class I, Zone 1 and 2, Groups IIA, IIB and IIC.

**NOTE:** Heaters marked with temperature code T2B are not suitable for Class II and Class III applications.

- Operating ambient temperature:  
Standard XB Models: -50°C to 40°C  
High Ambient XB Models: -50°C to 70°C

## B. PRE-INSTALLATION

---

1. Initially, inspect the heater for possible damage due to shipping and handling. Claims for shipping damages shall be placed with the carrier.
2. Check the heater nameplate to ensure that the heater area classification and temperature code are suitable for the hazardous area classification. For details of hazardous locations with potential for explosion, refer to the Canadian Electrical Code or National Electrical Code.
3. Check to ensure that the heater voltage is the same as the supply voltage
4. The heater must be installed by qualified personnel in strict compliance with national and local electrical codes.



**WARNING.** Do not connect the heater to an electrical supply voltage other than that shown on the product nameplate.

## C. INSTALLATION

### C.1 General Requirements

1. Norseman™ XB heaters are approved for wall or floor mounting with the terminal housing at the bottom. Ensure that is the wall sufficiently strong to support the heater which, depending on the model, could weigh up to 100 lbs (45 kg). Otherwise use the brackets supplied to stand the heater on the floor.
2. Do not recess the Norseman™ XB heater into the wall. Use of the brackets supplied will ensure that the minimum spacing from the wall of 3.75" (95 mm) is maintained.
3. If more than one heater is being installed, maintain at least 3" (76 mm) between adjacent heater extrusions. NEVER INSTALL ONE HEATER ABOVE THE OTHER.
4. The Norseman™ XB heater relies on natural convection and "black heat" radiation to transfer heat to the surroundings. Try to maintain a 12" (300 mm) clearance and NEVER LESS THAN 6" (150 mm) clearance in front of and at the sides of the heater.
5. Use guard rails in front of the heater if there is a possibility that moving equipment could come in contact with the heater

2. Position heater front face down on a flat surface.
3. With the fold in the baffle positioned between the keyhole fin and the adjacent short fin, slide reflector baffles onto the back of heat sink.
4. Ensure reflector baffles are secure in place and flush with the top of the heat sink. If reflector baffles move freely, open the fold with a screw driver to improve the friction and reinstall baffles.



**CAUTION.** The heater's surface is hot when the heater is energized. Keep all combustibles away from the heater and maintain the recommended installation clearances.

### C.2 Reflector Baffles

1. REFLECTOR BAFFLES (T2D units only). Refer to Figure 1, page 4 when installing reflector baffles.

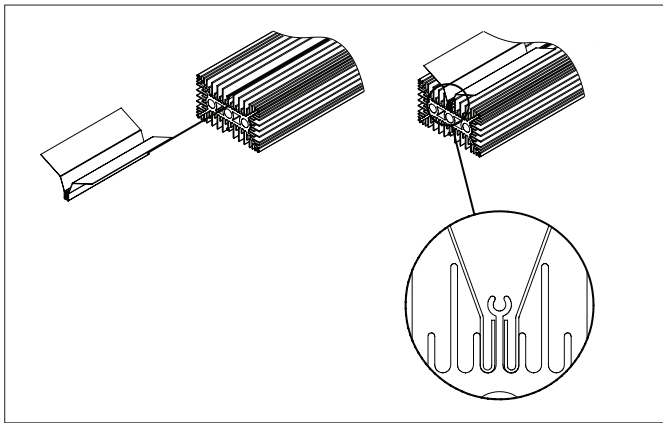


Figure 1 – Reflector Baffles Installation

Table 1 – Reflector Baffle Pairs per Heat Sink

Heat Sink Extrusion Length		# of Pairs	Size	
in	mm		in	mm
5.1	130	0	-	-
11.8	300	1	8	203
18.5	470	2	8	203
25.2	640	1	24	610

**NOTE:** Baffles are only required for units with a T2D temperature code rating.

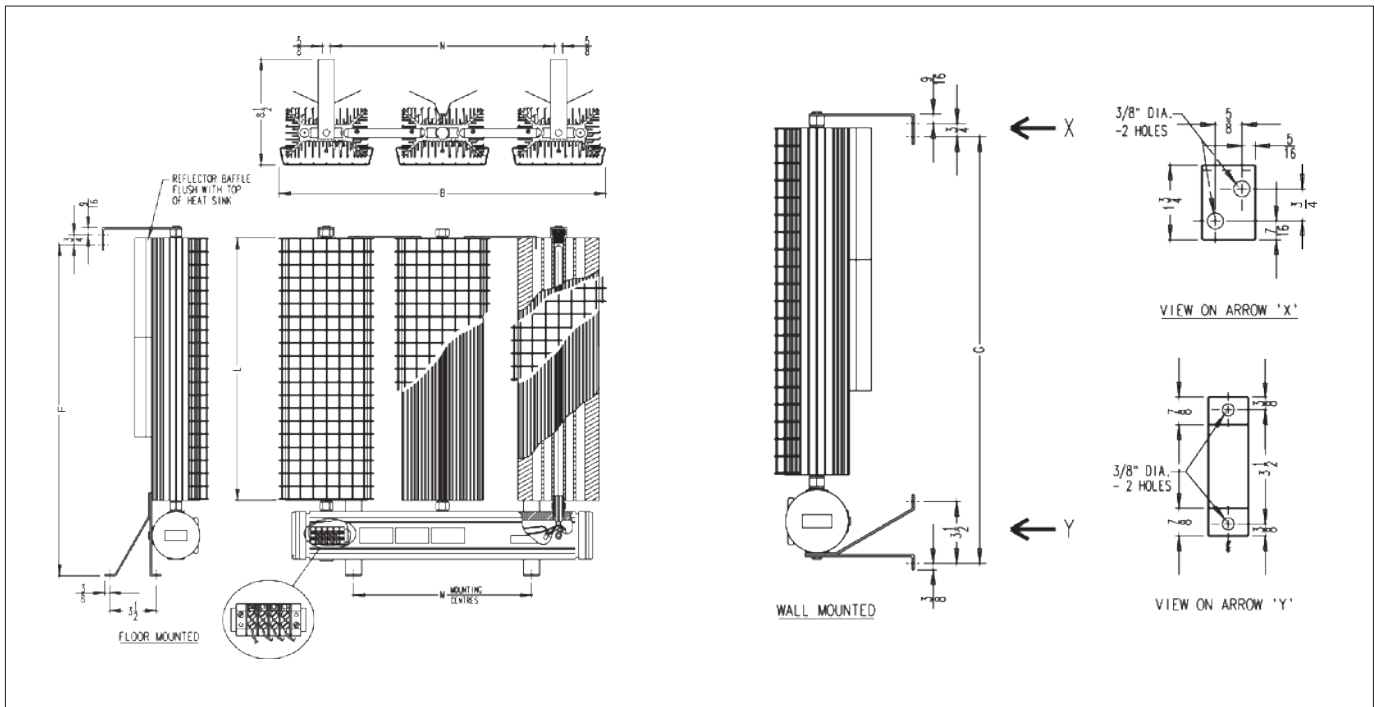


Figure 2 – Dimensions and mounting details

Table 2 – Heater Dimensions

Unit	B	F	G	H	N	L
	in (mm)	in (mm)	in (mm)	in (mm)	in (mm)	in (mm)
XB1	7.250 (184)	10.250 (260)	9.625 (244)	-	-	5.125 (130)
		17.000 (432)	16.375 (416)			11.875 (300)
		23.625 (600)	23.000 (584)			18.500 (471)
		30.375 (772)	29.750 (756)			25.250 (640)
XB2	16.125 (410)	10.250 (260)	9.625 (244)	7.125 (181)	8.250 (210)	5.125 (130)
		17.000 (432)	16.375 (416)			11.875 (300)
		23.625 (600)	23.000 (584)			18.500 (471)
		30.375 (772)	29.750 (756)			15.250 (640)
XB3	25.000 (635)	10.250 (260)	9.625 (244)	13.750 (349)	17.125 (435)	5.125 (130)
		17.000 (432)	16.375 (416)			11.875 (300)
		23.625 (600)	23.000 (584)			18.500 (471)
		30.375 (772)	29.750 (756)			15.250 (640)
XB4	33.875 (860)	10.250 (260)	9.625 (244)	22.625 (575)	26.000 (664)	5.125 (130)
		17.000 (432)	16.375 (416)			11.875 (300)
		23.625 (600)	23.000 (584)			18.500 (471)
		30.375 (772)	29.750 (756)			15.250 (640)

### C.3 Wall Mounting

Install heater with the supplied hardware in accordance with the figures and instructions below.

**Step 1:** Secure wall and stabilizing brackets to mounting surface (Figure 3).

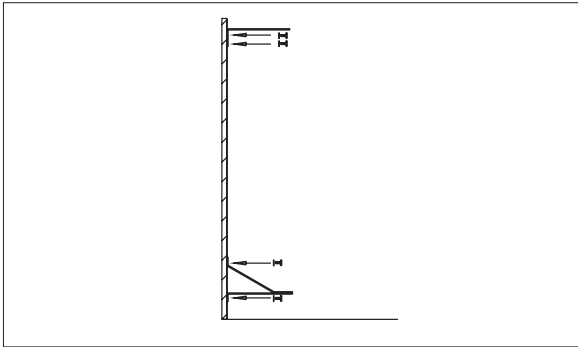


Figure 3 – Install mounting bracket

**Step 2:** Position heater face down on floor with terminal box towards mounting brackets. (Ensure that baffles are installed [see Section C.2, page 4]). Angle heater such that the terminal box rests on bottom of wall bracket. Lift top of heater and align with top stabilizing brackets.

Secure top with supplied 1/4"-20 hex bolts and lock washers (Figure 4).

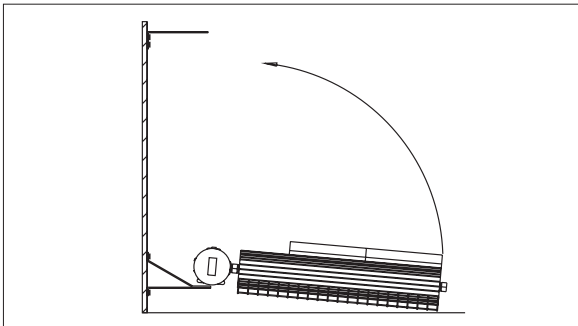


Figure 4 – Wall mounting diagram

**Step 3:** Secure bottom of heater to wall mounting brackets with supplied 1/4"-20 hex bolts and lock washers (Figure 5).

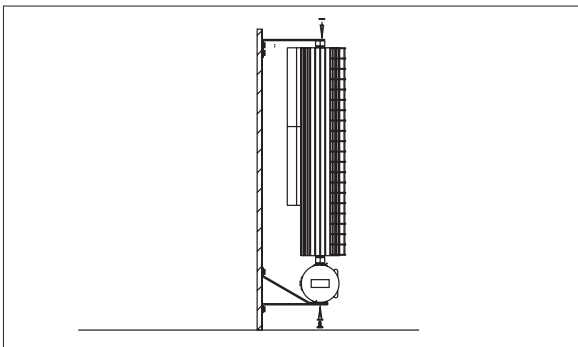


Figure 5 – Attach heater to mounting brackets



**WARNING.** Improper orientation of the heater could affect the safe and reliable operation of the heater.

### C.4 Floor Mounting

**Step 1:** Position heater face down on the floor with terminal box towards the wall (Figure 6).

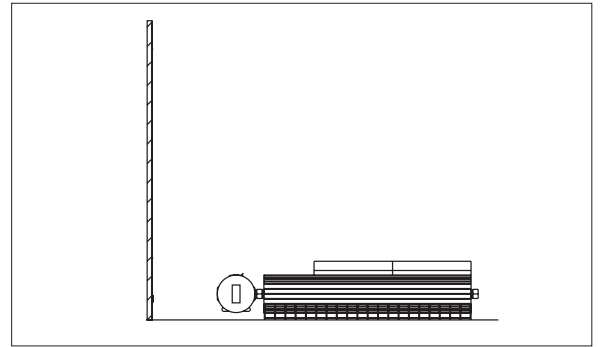


Figure 6 – Floor mounting diagram

**Step 2:** Fasten top stabilizing bracket(s) and floor mounting bracket(s) to the unit. Floor mounting brackets may be mounted in one of three orientations (Figure 7).

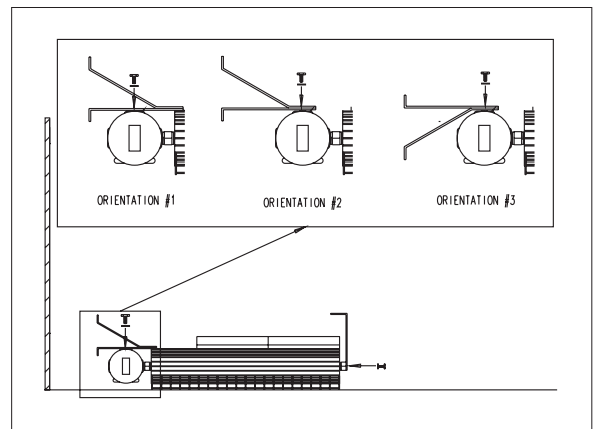


Figure 7 – Install mounting bracket to heater

**Step 3:** Lift top of unit and position heater vertically against the wall. Secure stabilizing and floor mounting brackets to the mounting surfaces (Figure 8).

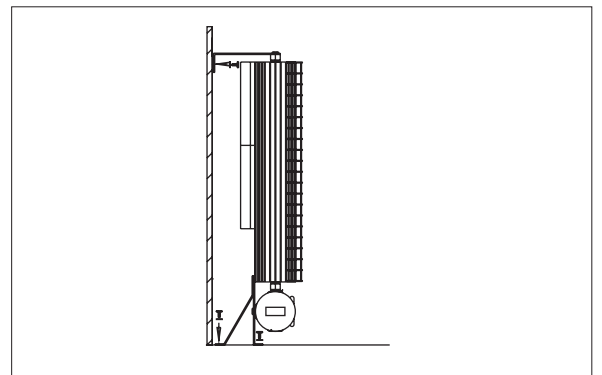


Figure 8 – Attach heater to floor and wall



**WARNING.** Never install one heater above the other.

To ensure safe operation, heater must be installed, as shown in [Figure 5](#) and [Figure 8](#). Installation with fins in the incorrect orientation may result in an unsafe condition (refer to Table 1, page 4).

## D. THERMOSTAT INSTALLATION

- Factory Installed** - For shipping purposes the thermostat well (located at back of unit) has not been installed.  
 Position thermostat bulb perpendicular to housing being careful not to kink the capillary. Slide well over bulb and screw into place. Make sure that a minimum 5 threads engagement is achieved.
- Field Installed Kit** - Most Norseman™ XB units are suitable for field installation of a thermostat kit with the operator shaft hole on the front side of the unit and plugged with a socket head cap screw. If a

thermostat is to be field installed, check to verify that you have been supplied with the correct thermostat kit. Single phase heaters use a single pole thermostat as supplied in kit number XTKW04481. Three phase heaters use a double pole thermostat as supplied in kit number XTKW04483. Follow the instructions supplied with the kit.

**NOTE:** For high ambient heaters - (Single phase units only) Single phase heaters use a single pole thermostat as supplied in kit number XTKW07481.

## E. WIRING

- Whenever hazardous materials are present, ensure that the terminal housing covers are secure before powering the heater.
- Use supply wires suitable for 221°F (105°C) or 302°F (150°C) for high ambient XB models.
- Use approved conduit and conduit seals as required by the code for hazardous locations.
- To provide maximum protection each Norseman™ XB heater should be fused individually using the nearest standard fuse size which is not less than 120% of the expected line current.
- All heaters come factory prewired and ready for direct connection to the power supply leads.
  - Connect the power leads to terminals marked L1 and L2 for single phase and L1, L2 & L3 for three phase heaters as shown in Figure 9, page 7.
  - Connect the ground wire to the ground connection located in the heater terminal housing.



**WARNING.** Whenever hazardous materials are present, ensure that the terminal housing covers, plug, etc., are secured (but not over-tightened) before energizing the heater.



**CAUTION.** All circuits must be in the open position before removing junction or terminal box covers.



**CAUTION.** Use supply wires suitable for 221°F (105°C) or 302°F (150°C) for high ambient XB models. Supply wires are to be fused with appropriately sized HRC fusing.



**CAUTION.** Ensure that no power is connected to the equipment prior to making any connections.

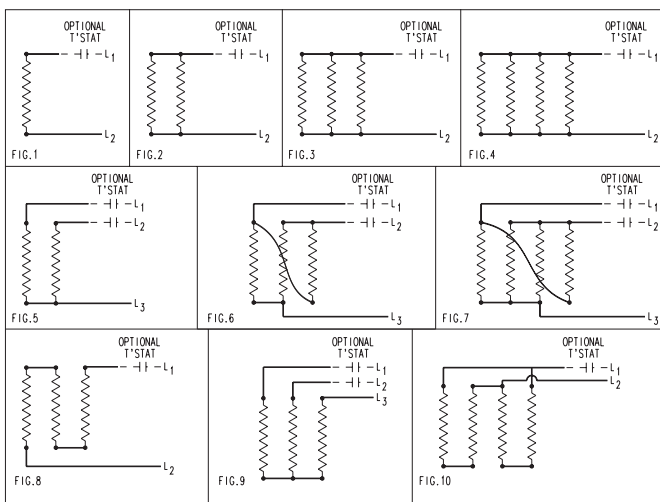


Figure 9 – Wiring Diagram

Table 3 – Wiring Configuration

Part No.	Wiring Diagram (Figure 9)			
	1Ø	3Ø		
XB1-1005T6	Fig. 1	-		
XB1-1010T4A				
XB1-1017T4A				
XB1-1030T3B				
XB1-1047T2D				
XB1-3047T3B				
XB1-3075T2D				
XB1-4100T2D				
XB1-6020T6				
XB1-6045T4A				
XB1-6125T2D				
XB1-6135T2D				
XB2-1075T2D			Fig. 2	Fig. 5
XB2-3150T2D				
XB2-4100T3B				
XB2-4200T2D				
XB2-6040T6				
XB2-6085T4A				
XB2-6150T3B				
XB2-6250T2D				
XB3-1100T2D	Fig. 3 (Except XB3-4150T3B 600V & XB3-6125T4A 600V use Fig. 8)	Fig. 6 (Except XB3-4150T3B 600V & XB3-6125T4A 600V use Fig. 9)		
XB3-1125T2D				
XB3-3100T3B				
XB3-3200T2D				
XB3-4150T3B				
XB3-4300T2D				
XB3-6060T6				
XB3-6125T4A				
XB3-6225T3B				
XB3-6375T2D				
XB4-1150T2D	Fig. 4 (Except XB4-6160T4A 600V & XB3-3250T2D 600V use Fig. 10)	Fig. 7		
XB4-3250T2D				
XB4-4225T3B				
XB4-4375T2D				
XB4-6080T6				
XB4-6160T4A				
XB4-6300T3B				
XB4-6450T2D				
XB4-6500T2D				

Table 4 – Wiring Configuration (High Ambient)

Part No.	Wiring Diagram (Figure 9)	
	1Ø	3Ø
XB1-1005T4A	Fig. 1	-
XB1-1010T3C		
XB1-1017T3C		
XB1-1030T3		
XB1-3047T3		
XB1-6020T4A		
XB1-6045T3C		
XB2-4100T3B		
XB2-6040T4A		
XB2-6085T3C		
XB2-6150T3		
XB3-3100T3	Fig. 3 (Except XB3-4150T3 600V & XB3-6125T3C 600V use Fig. 8)	Fig. 6 (Except XB3-4150T3 600V & XB3-6125T3C 600V use Fig. 9)
XB3-4150T3		
XB3-6060T4A		
XB3-6125T3C		
XB3-6225T3	Fig. 4 (Except XB4-6160T3C 600V use Fig. 10)	Fig. 7
XB4-4225T3		
XB4-6080T4A		
XB4-6160T3C		
XB4-6300T3		



## F. START-UP

- For heaters with a tamper-proof thermostat, to set temperature, disconnect the power and remove the socket head cap screw. Set the thermostat to the desired room temperature with a screw driver and replace cap screw.
- For heaters with an externally adjustable thermostat, set thermostat to desired temperature by adjusting the dial.

**NOTE:** The thermostat temperature range is 0°F–100°F (-18°C–40°C) with an operating differential of 5°F–7°F (3°C–4°C).

**NOTE:** High ambient thermostat temperature range is 59°F–158°F (15°C–70°C) with an operating differential of 5°F–7°F (3°C–4°C). (Available on single phase heaters only.)

- Install the terminal box cover and tighten securely.

- Check to ensure that all plugs, screws, and covers are securely in place.
- Check associated electrical equipment.
- Check that all wall/floor mounting bracket connections are tight.
- Turn on the supply power.



**WARNING.** To prevent unsafe operation of the heater do not exceed the maximum allowable ambient operating temperature of 104°F (40°C).



**WARNING.** To prevent unsafe operation of the heater do not exceed the maximum allowable ambient operating temperature of 158°F (70°C) on high ambient models.

## G. MAINTENANCE

- Periodically inspect the heater installation to ensure that all connections, fittings, plugs, screws, covers, etc. are tight and free of corrosion.
- Check that the reflector baffles (if required) have not moved upwards or downwards in relation to the heat sink.
- Check the extrusions of the heater for dust and debris. A blast of compressed air is recommended for cleaning the heat sink. If air is not available, disconnect the power supply to the heater and when cool, wipe it down with a damp cloth or soft brush. Remove wire guards prior to cleaning.

- The heat sink is anodized or painted black to ensure that the maximum area code temperature is not exceeded. After an extended period of use or in extremely harsh environments the anodization/paint may wear away leaving bare surfaces. For continued safe operation, these surfaces must be repainted. When repainting use only black high temperature resistant paint.
- Except for thermostat replacement, field repair of the heater shall not be normally undertaken. In the event that the heater must be repaired, contact the factory for a return authorization number.



**WARNING.** Disconnect power from the heater before performing any maintenance. Failure to do so can result in property damage, injury, or death.



**CAUTION.** Do not use water to clean heater.

## H. SPARE PARTS

Table 5 – Replacement thermostats

Voltage	Thermostat Part No.
One Phase Heaters	XTKW04481
Three Phase Heaters	XTKW04483

Table 6 – Replacement thermostats (High Ambient)

Voltage	Thermostat Part No.
One Phase Heaters	XTKW07481



PLEASE ADHERE TO INSTRUCTIONS IN THIS MANUAL

Failure to do so may be dangerous and may void certain provisions of your warranty.

For further assistance, please call 24hr hotline: 1.800.661.8529 (U.S.A. and Canada)  
Please have model and serial numbers available before calling.

**WARRANTY:** Under normal use the Company warrants to the purchaser that defects in material or workmanship will be repaired or replaced without charge for a period of 18 months from date of shipment, or 12 months from the start date of operation, whichever expires first. Any claim for warranty must be reported to the sales office where the product was purchased for authorized repair or replacement within the terms of this warranty.

Subject to State or Provincial law to the contrary, the Company will not be responsible for any expense for installation, removal from service, transportation, or damages of any type whatsoever, including damages arising from lack of use, business interruptions, or incidental or consequential damages.

The Company cannot anticipate or control the conditions of product usage and therefore accepts no responsibility for the safe application and suitability of its products when used alone or in combination with other products. Tests for the safe application and suitability of the products are the sole responsibility of the user.

This warranty will be void if, in the judgment of the Company, the damage, failure or defect is the result of:

- Vibration, radiation, erosion, corrosion, process contamination, abnormal process conditions, temperature and pressures, unusual surges or pulsation, fouling, ordinary wear and tear, lack of maintenance, incorrectly applied utilities such as voltage, air, gas, water, and others or any combination of the aforementioned causes not specifically allowed for in the design conditions or,
- Any act or omission by the Purchaser, its agents, servants or independent contractors which for greater certainty, but not so as to limit the generality of the foregoing, includes physical, chemical or mechanical abuse, accident, improper installation of the product, improper storage and handling of the product, improper application or the misalignment of parts.

No warranty applies to paint finishes except for manufacturing defects apparent within 30 days from the date of installation.

The Company neither assumes nor authorizes any person to assume for it any other obligation or liability in connection with the product(s).

The Purchaser agrees that all warranty work required after the initial commissioning of the product will be provided only if the Company has been paid by the Purchaser in full accordance with the terms and conditions of the contract.

The Purchaser agrees that the Company makes no warranty or guarantee, express, implied or statutory, (including any warranty of merchantability or warranty of fitness for a particular purpose) written or oral, of the Article or incidental labour, except as is expressed or contained in the agreement herein.

**LIABILITY:** Technical data contained in the catalog or on the website is subject to change without notice. The Company reserves the right to make dimensional and other design changes as required. The Purchaser acknowledges the Company shall not be obligated to modify those articles manufactured before the formulation of the changes in design or improvements of the products by the Company.

The Company shall not be liable to compensate or indemnify the Purchaser, end user or any other party against any actions, claims, liabilities, injury, loss, loss of use, loss of business, damages, indirect or consequential damages, demands, penalties, fines, expenses (including legal expenses), costs, obligations and causes of action of any kind arising wholly or partly from negligence or omission of the user or the misuse, incorrect application, unsafe application, incorrect storage and handling, incorrect installation, lack of maintenance, improper maintenance or improper operation of products furnished by the Company.

**Edmonton**

1-800-661-8529  
1-780-466-3178  
F 780-468-5904

**Oakville**

1-800-410-3131  
1-905-829-4422  
F 905-829-4430

**Orillia**

1-877-325-3473  
1-705-325-3473  
F 705-325-2106

**Houston**

1-800-654-2583  
1-713-433-2600  
F 713-433-4541

**Denver**

1-855-244-3128  
1-303-979-7339  
F 303-979-7350

Panneaux chauffants à convection antidéflagration

# Série XB

Instructions d'installation, d'utilisation et d'entretien



## Avertissements particuliers

Les avertissements particuliers précisés dans les sections suivantes relatives à l'installation et à l'entretien visent à fournir des renseignements importants. Chacun répond à une situation particulière et est illustré comme suit:



Attention

Ce symbole indique une situation potentiellement dangereuse pouvant provoquer des blessures corporelles ou des dommages à l'appareil dans l'éventualité où celle-ci ne pourrait être évitée.



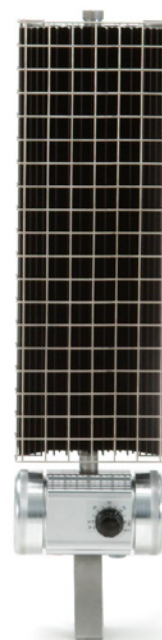
ATTENTION

Ce symbole indique une situation potentiellement dangereuse pouvant présenter un danger d'électrocution dans l'éventualité où celle-ci ne pourrait être évitée.



AVERTISSEMENT

Ce symbole indique une situation potentiellement dangereuse pouvant provoquer une mort ou des blessures graves dans l'éventualité où celle-ci ne pourrait être évitée.



# TABLE DES MATIÈRES

<b>A. Avant l'installation</b>	<b>12</b>
<b>B. Installation</b>	<b>13</b>
B.1 Directives générales .....	13
B.3 Fixation au mur .....	15
B.4 Fixation au sol .....	15
<b>C. Installation du thermostat</b>	<b>16</b>
<b>D. Câblage</b>	<b>16</b>
<b>E. Mise en marche</b>	<b>18</b>
<b>F. Entretien</b>	<b>18</b>
<b>G. Pièces de rechange</b>	<b>18</b>

## A. CERTIFICATION DU PRODUIT

---

En fonction du modèle particulier commandé, le traceur convient aux zones suivantes :

- Certifié CSA C/US pour la classe I, Div. 1 et 2, groupes A, B, C et D ; Classe II, Div. 1 et 2, groupes E, F et G ; Classe III, Div. 1 et 2 ; Code de température T2D, T3B, T4A ou T6. CSA type 4, Classe I, Zone 1 et 2, Groupes IIA, IIB et IIC.

**Remarque:** Les éléments chauffants portant le code T2D ne conviennent pas aux applications de Classe II et Classe III.

- Température ambiante de fonctionnement :  
Modèles XB standard : de -50°C à 40°C  
Modèles Ambient XB : de -50°C à 70°C

## B. AVANT L'INSTALLATION

---

1. Inspecter d'abord le radiateur afin de repérer d'éventuels dommages causés par le transport et la manutention. Les réclamations pour les dommages causés par le transport doivent être déposées auprès du transporteur.
2. Vérifier la plaque signalétique du radiateur afin de s'assurer que la zone déterminée pour l'installation du radiateur ainsi que les codes de température correspondent à la classification de zone dangereuse. Pour obtenir plus de renseignements relativement aux emplacements présentant des dangers potentiels de déflagration, se reporter au Code canadien de l'électricité ou au Code national de l'électricité.
3. S'assurer que la tension de chauffage correspond à la tension d'alimentation.
4. Le radiateur doit être installé par un personnel qualifié se conformant strictement aux codes nationaux et locaux de l'électricité.



AVERTISSEMENT

**AVERTISSEMENT.** Ne pas brancher le radiateur dans une source de tension d'alimentation électrique autre que celle illustrée sur la plaque signalétique du produit.

## C. INSTALLATION

### C.1 Directives générales

1. Les radiateurs Norseman<sup>MC</sup> XB sont homologués pour une fixation au mur ou au sol à l'aide d'un caisson de borne situé dans la partie inférieure. S'assurer que le mur est suffisamment solide pour soutenir le radiateur dont le poids, selon le modèle, peut atteindre 100 lb (45 kg). Autrement, utiliser les supports fournis pour poser le radiateur sur le sol.
2. Ne pas encastrer le radiateur Norseman<sup>MC</sup> XB dans le mur. L'utilisation des supports fournis permettra d'assurer le respect de la distance d'éloignement minimum du mur de 3,75 po (95 mm).
3. Pour l'installation de plusieurs radiateurs, s'assurer de respecter une distance d'éloignement de 3 po (76 mm) entre les pièces extrudées des radiateurs adjacents. **NE JAMAIS INSTALLER DEUX RADIATEURS L'UN AU-DESSUS DE L'AUTRE.**
4. Le radiateur Norseman<sup>MC</sup> XB utilise un procédé de convection naturelle et une diffusion de chaleur par radiation afin de permettre un transfert de chaleur dans son environnement. Essayer de maintenir un dégagement de 12 po (300 mm) à l'avant et autour du radiateur. La distance de dégagement **NE DOIT JAMAIS ÊTRE INFÉRIEURE À 6 po (150 mm).**
5. Utiliser des grilles de protection à l'avant du radiateur s'il existe un risque que des équipements mobiles puissent entrer en contact avec celui-ci.

### C.2 Réflecteurs

1. **Réflecteurs (uniquement pour les unités T2D).** Se reporter à la pour effectuer l'installation des réflecteurs.

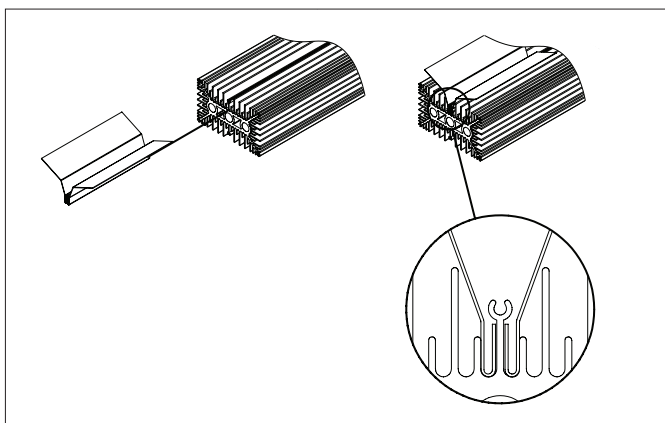


Figure 1 – Installation des réflecteurs

Tableau 1 – Paires de réflecteurs par dissipateur de chaleur

Longueur de la pièce extrudée du dissipateur de chaleur		de paires	Grosseur	
po	mm		po	mm
5.1	130	0	-	-
11.8	300	1	8	203
18.5	470	2	8	203
25.2	640	1	24	610

Remarque: Les réflecteurs ne sont requis que pour les unités ayant un code de température T2D.

2. Poser la partie avant du radiateur sur une surface plane.
3. À l'aide des plis du réflecteurs situés entre l'ailette en trou de serrure et la courte ailette adjacente, glisser le réflecteur à l'arrière du dissipateur de chaleur.
4. S'assurer que les réflecteurs sont solidement fixés en place et qu'ils ne dépassent pas la partie supérieure du dissipateur de chaleur. Si les réflecteurs bougent librement, ouvrir le pli à l'aide d'un tournevis pour accroître la friction et réinstaller les réflecteurs.



**ATTENTION.** La surface des radiateurs est chaude lorsqu'il est sous tension. S'assurer de conserver tout combustible loin du radiateur et respecter les distances de dégagement recommandées en tout temps.

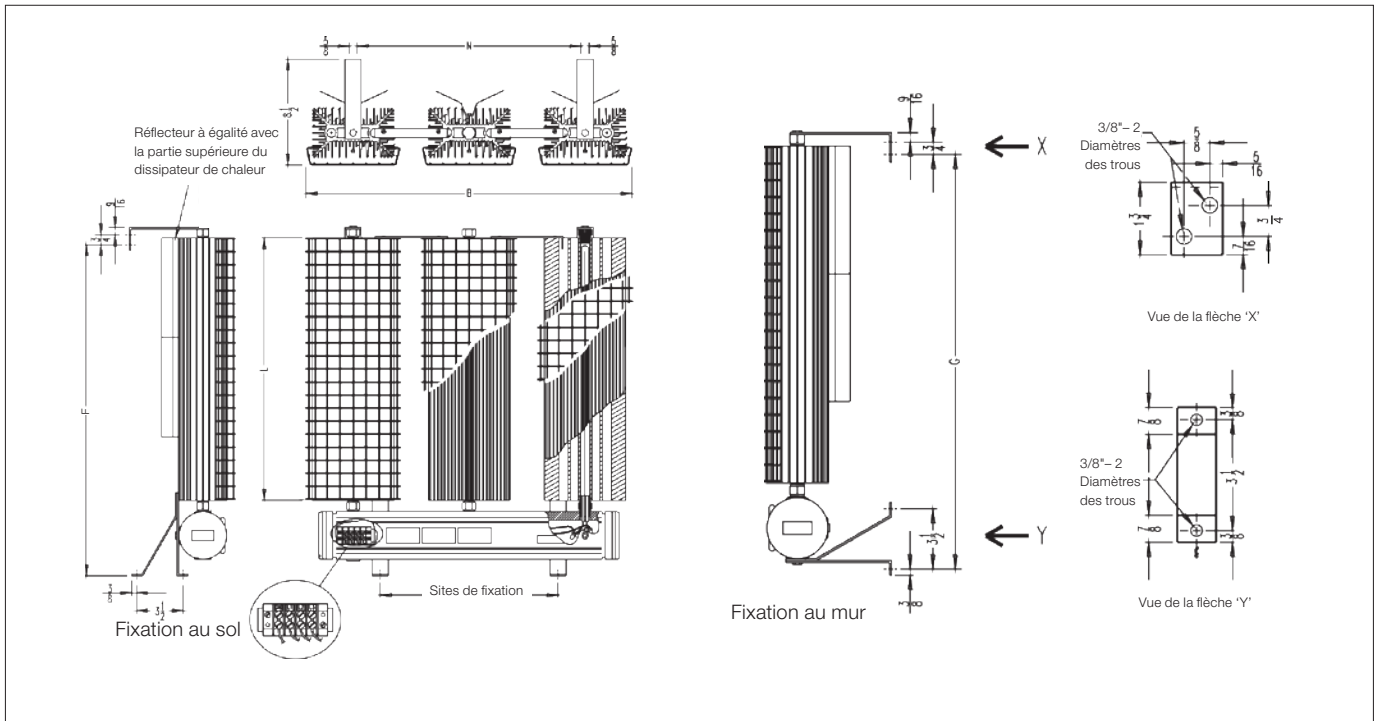


Figure 2 – Dimensions et détails de fixation

Tableau 2 – Dimensions du radiateur unité

Unité	B	F	G	H	N	L
	po (mm)	po (mm)	po (mm)	po (mm)	po (mm)	po (mm)
XB1	7.250 (184)	10.250 (260)	9.625 (244)	-	-	5.125 (130)
		17.000 (432)	16.375 (416)			11.875 (300)
		23.625 (600)	23.000 (584)			18.500 (471)
		30.375 (772)	29.750 (756)			25.250 (640)
XB2	16.125 (410)	10.250 (260)	9.625 (244)	7.125 (181)	8.250 (210)	5.125 (130)
		17.000 (432)	16.375 (416)			11.875 (300)
		23.625 (600)	23.000 (584)			18.500 (471)
		30.375 (772)	29.750 (756)			15.250 (640)
XB3	25.000 (635)	10.250 (260)	9.625 (244)	13.750 (349)	17.125 (435)	5.125 (130)
		17.000 (432)	16.375 (416)			11.875 (300)
		23.625 (600)	23.000 (584)			18.500 (471)
		30.375 (772)	29.750 (756)			15.250 (640)
XB4	33.875 (860)	10.250 (260)	9.625 (244)	22.625 (575)	26.000 (664)	5.125 (130)
		17.000 (432)	16.375 (416)			11.875 (300)
		23.625 (600)	23.000 (584)			18.500 (471)
		30.375 (772)	29.750 (756)			15.250 (640)

### C.3 Fixation au mur

Installer le radiateur à l'aide de la quincaillerie fournie conformément aux figures et aux instructions ci-dessous.

Étape 1: Fixer les supports de fixation et de stabilisation sur la surface du mur (Figure 3, page 16).

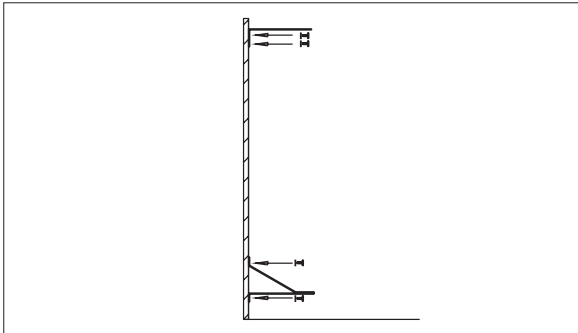


Figure 3 – Installation des supports de montage

Étape 2: Placer la partie avant du radiateur sur le sol en positionnant le caisson de borne vers les supports de montage. (s'assurer que les réflecteurs sont installés [voir Section C.2, page 14]). Ajuster l'angle du radiateur de manière à ce que le caisson de borne soit appuyé sur la partie inférieure du support mural. Lever la partie supérieure du radiateur et l'aligner avec les supports de fixation du haut.

Fixez le dessus avec les boulons hexagonaux 1/4"-20 et les rondelles de blocage fournis (Figure 4).

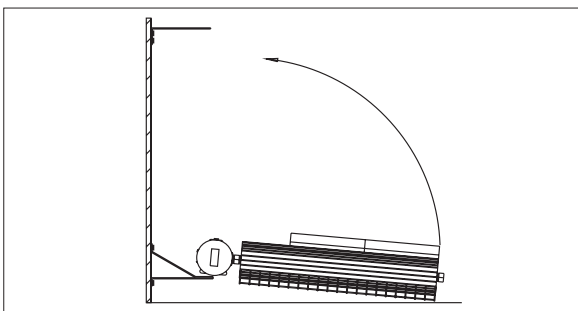


Figure 4 – Schéma de fixation au mur

Étape 3: Fixer la partie inférieure du radiateur aux supports de fixation murale à l'aide des boulons 1/4 - 20 à tête hexagonale et des rondelles d'arrêt fournis (Figure 5).

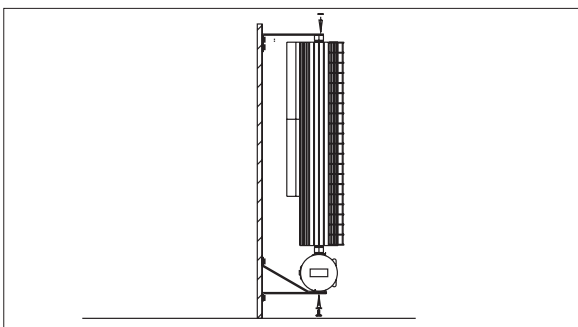


Figure 5 – Fixation du radiateur aux supports de montage

### C.4 Fixation au sol

Étape 1: Placer la partie avant du radiateur sur le sol en positionnant le caisson de borne vers le mur (Figure 6).

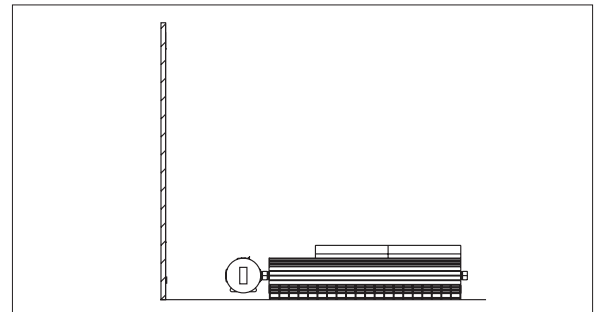


Figure 6 – Schéma de fixation au sol

Étape 2: Fixer le(s) support(s) de fixation et de stabilisation au sol sur l'unité. Les supports de fixation au sol peuvent être fixés selon l'une des trois positions illustrées (Figure 7).

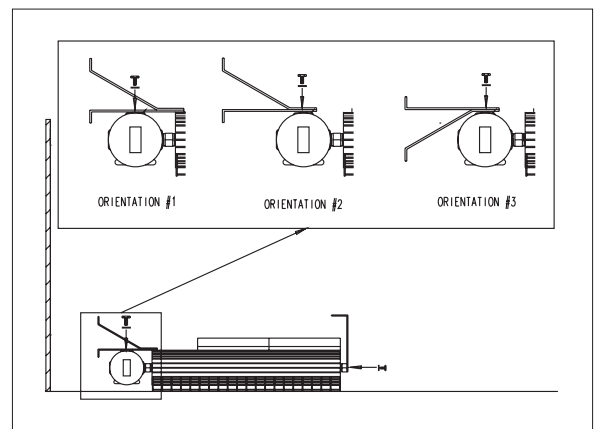


Figure 7 – Installation du support de fixation sur le radiateur

Étape 3: Lever la partie supérieure de l'unité et placer le radiateur en position verticale contre le mur. Fixer les supports de fixation et de stabilisation sur la surface de montage (Figure 8).

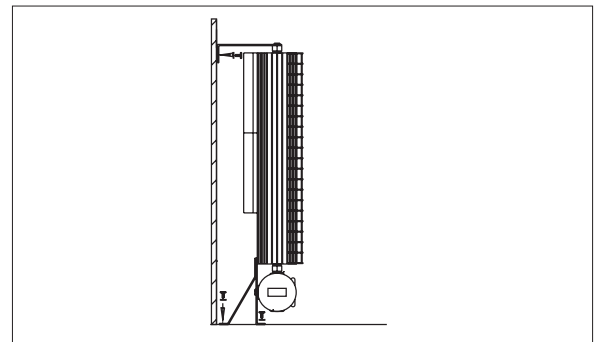


Figure 8 – Fixation du radiateur au sol et sur le mur



**AVERTISSEMENT.** Une mauvaise orientation du radiateur pourrait réduire la sécurité et à la fiabilité du fonctionnement du radiateur.



**AVERTISSEMENT.** Ne jamais installer un radiateur au-dessus d'un autre radiateur.

Afin d'assurer une utilisation sécuritaire, le radiateur doit être installé comme illustré dans les Figure 5 et Figure 8. Une installation où les ailettes ne sont pas dans la bonne orientation pourrait causer une situation dangereuse (voir le Tableau 1, page 14).



## D. INSTALLATION DU THERMOSTAT

1. Installation en usine - Pour des raisons de transport, le logement du thermostat (situé à l'arrière de l'unité) n'a pas été installé.  
Placer le bulbe thermostatique perpendiculairement au boîtier en portant attention à ne pas tordre le tube capillaire. Glisser le logement sur le bulbe et viser en place. S'assurer de faire pénétrer au moins 5 éléments filetés.
2. Trousse installée sur le terrain - Une trousse de thermostat peut être installée sur le terrain pour la plupart des appareils Norseman<sup>MC</sup> XB à l'aide du trou de la tige de fonctionnement situé sur la partie avant de l'appareil et fixée à l'aide d'une vis hexagonale à

tête creuse. Lorsqu'un thermostat doit être installé sur le terrain, s'assurer d'avoir reçu la trousse de thermostat appropriée. Les radiateurs monophasés utilisent un thermostat à tige unique fourni dans la trousse numéro XTKW04481. Les radiateurs triphasés utilisent un thermostat à doubles tiges fourni dans la trousse numéro XTKW04483. Suivre les instructions fournies avec la trousse.

Remarque: Pour les traceurs de chauffage à température ambiante élevée. (Unités monophasées uniquement)  
Les traceurs monophasés utilisent un thermostat unipolaire comme fourni dans le kit numéro XTKW07481.

## E. CÂBLAGE

1. Lorsque des matières dangereuses sont présentes, veiller à ce que les couvercles du boîtier abritant les bornes soient bien en place avant de mettre le radiateur sous tension.
2. Utilisez des câbles d'alimentation adaptés à une température ambiante de 105°C (221°F) ou de 150°C (302°F).
3. Utiliser des conduits et des joints d'étanchéité de conduit homologués conformes au code relatif aux emplacements dangereux.
4. Afin d'assurer une protection maximale, chaque radiateur Norseman<sup>MC</sup> XB doit être individuellement protégé par un fusible en utilisant un calibre de fusible dont la valeur est le plus près de la norme et qui n'est pas inférieure à 120 % du courant du secteur prévu.
5. Tous les radiateurs sont câblés en usine et prêts à être directement branchés dans l'alimentation électrique.
  - 5.1 Brancher les broches de raccordement électrique aux bornes indiquées L1 et L2 pour un radiateur monophasé et L1, L2 et L3 pour un radiateur triphasé comme illustré à la Figure 9, page 17.
  - 5.2 Brancher le câble de mise à la terre à la prise de terre située dans le caisson de borne du radiateur.



**ATTENTION.** Utilisez des câbles d'alimentation adaptés à une température ambiante de 105°C (221°F) ou de 150°C (302°F). Les câbles d'alimentation doivent être raccordés à un fusible HPC de calibre adéquat.



**AVERTISSEMENT.** Utiliser des conduits et des joints d'étanchéité de conduit homologués conformes aux emplacements dangereux.

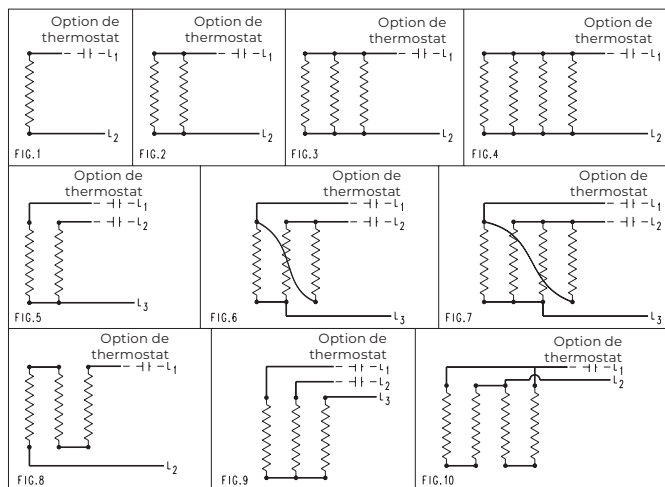


Figure 9 – Schéma du câblage



**AVERTISSEMENT.** Lorsque des matières dangereuses sont présentes, veiller à ce que les couvercles du boîtier abritant les bornes, les fiches, etc., soient bien en place (sans être trop serrés) avant de mettre le radiateur sous tension.



**ATTENTION.** Tous les circuits doivent être ouverts avant de retirer les couvercles de la boîte de jonction ou du caisson de borne.

Tableau 3 – Configuration du câblage

Part No.	Schéma du câblage (Figure 9)			
	1Ø	3Ø		
XB1-1005T6	Fig. 1	-		
XB1-1010T4A				
XB1-1017T4A				
XB1-1030T3B				
XB1-1047T2D				
XB1-3047T3B				
XB1-3075T2D				
XB1-4100T2D				
XB1-6020T6				
XB1-6045T4A				
XB1-6125T2D				
XB1-6135T2D				
XB2-1075T2D			Fig. 2	Fig. 5
XB2-3150T2D				
XB2-4100T3B				
XB2-4200T2D				
XB2-6040T6				
XB2-6085T4A				
XB2-6150T3B				
XB2-6250T2D				
XB3-1100T2D	Fig. 3 (Sauf pour les modèles XB3-4150T3B 600V et le XB3-6125T4A 600V, utiliser la figure 8)	Fig. 6 (Sauf pour les modèles XB3-4150T3B 600V et le XB3-6125T4A 600V, utiliser la figure 9)		
XB3-1125T2D				
XB3-3100T3B				
XB3-3200T2D				
XB3-4150T3B				
XB3-4300T2D				
XB3-6060T6				
XB3-6125T4A				
XB3-6225T3B				
XB3-6375T2D				
XB4-1150T2D	Fig. 4 (Sauf pour les modèles XB4-6160T4A 600V et le XB3-3250T2D 600V, utiliser la figure 10)	Fig. 7		
XB4-3250T2D				
XB4-4225T3B				
XB4-4375T2D				
XB4-6080T6				
XB4-6160T4A				
XB4-6300T3B				
XB4-6450T2D				
XB4-6500T2D				

Tableau 4 – Configuration du câblage (ambiance élevée)

Part No.	Schéma du câblage (Figure 9)			
	1Ø	3Ø		
XB1-1005T4A	Fig. 1	-		
XB1-1010T3C				
XB1-1017T3C				
XB1-1030T3				
XB1-3047T3				
XB1-6020T4A				
XB1-6045T3C				
XB2-4100T3B			Fig. 2	Fig. 5
XB2-6040T4A				
XB2-6085T3C				
XB2-6150T3				
XB3-3100T3	Fig. 3 (Sauf pour les modèles XB3-4150T3 600V et le XB3-6125T3C 600V, utiliser la figure 8)	Fig. 6 (Sauf pour les modèles XB3-4150T3 600V et le XB3-6125T3C 600V, utiliser la figure 9)		
XB3-4150T3				
XB3-6060T4A				
XB3-6125T3C				
XB3-6225T3				
XB4-4225T3	Fig. 4 (Sauf pour les modèles XB4-6160T3C 600V, utiliser la figure 10)	Fig. 7		
XB4-6080T4A				
XB4-6160T3C				
XB4-6300T3				

## F. MISE EN MARCHÉ

1. Afin de régler la température des radiateurs munis d'un thermostat inviolable, débrancher l'alimentation et retirer la vis hexagonale à tête creuse. Régler la température ambiante souhaitée sur le thermostat à l'aide d'un tournevis et replacer la vis hexagonale à tête creuse.
2. Afin de régler la température des radiateurs dont le thermostat est accessible par l'extérieur, sélectionner la température souhaitée sur le cadran.

**Remarque:** La plage de température du thermostat varie de 0°F à 100 °F (-18°C à 40°C) avec un différentiel de fonctionnement de 5°F à 7°F (3°C à 4°C).

**Remarque:** La plage de température élevée du thermostat ambiant est 59°F–158°F (15°C–70°C) avec un différentiel de fonctionnement de 5°F à 7°F (3°C à 4°C). (Disponible uniquement sur les appareils de chauffage monophasés.)

3. Installer le couvercle du caisson de borne et fixer solidement.
4. Vérifier que les fiches, les vis et les couvercles sont solidement en place.

5. Vérifier les équipements électriques connexes.
6. S'assurer que tous les supports de fixation au mur et au sol sont bien serrés.



**AVERTISSEMENT.** Afin d'éviter tout danger durant le fonctionnement du radiateur, s'assurer que la température ambiante de fonctionnement ne dépasse pas la limite maximale de 104°F (40°C).



**AVERTISSEMENT.** Afin d'éviter tout danger durant le fonctionnement du radiateur, s'assurer que la température ambiante de fonctionnement ne dépasse pas la limite maximale de 158°F (70°C) pour unités ambiances élevées.

## G. ENTRETIEN

1. Inspecter l'installation du radiateur régulièrement afin de s'assurer que les connexions, les raccords, les fiches, les vis, les couvercles et autres sont bien ajustés et exempts de corrosion.
2. S'assurer que le réflecteur (s'il est requis) ne s'est pas déplacé vers le haut, ni vers le bas par rapport au dissipateur de chaleur.
3. S'assurer que les pièces extrudées du radiateur sont exemptes de poussière. Un jet d'air sous pression est recommandé pour nettoyer le dissipateur de chaleur. Lorsque de l'air n'est pas disponible, débrancher l'alimentation électrique du radiateur et lorsqu'il est froid, nettoyer avec un chiffon humide ou avec une brosse douce. Retirer les dispositifs de protection avant le nettoyage.



**AVERTISSEMENT.** Débrancher l'alimentation du radiateur avant d'effectuer un entretien. Ne pas respecter cette directive peut causer des dommages matériels, des blessures ou provoquer la mort.



**ATTENTION.** Ne pas utiliser d'eau pour nettoyer le radiateur.

4. Le dissipateur de chaleur présente un fini peint noir ou anodisé afin d'assurer que la température maximale ne dépasse pas le code de zone. Après une longue période d'utilisation ou en raison d'une utilisation dans un environnement extrêmement rigoureux le fini peint ou anodisé peut s'effriter et mettre à nu les surfaces. Ces surfaces doivent être repeintes afin d'assurer une utilisation sécuritaire. Pour repeindre, utiliser uniquement une peinture noire hautement résistante aux hautes températures.
5. Sauf en ce qui a trait au remplacement du thermostat, une réparation du radiateur sur le terrain ne devrait habituellement pas être entreprise. Dans l'éventualité où le radiateur doit être réparé, communiquer avec l'usine afin d'obtenir un numéro d'autorisation de retour.

## H. PIÈCES DE RECHANGE

Tableau 5 – Thermostats de remplacement

Voltage	N° de pièce du thermostat
Radiateurs monophasés	XTKW04481
Radiateurs triphasés	XTKW04483

Tableau 6 – Thermostats de remplacement (ambiance élevée)

Voltage	N° de pièce du thermostat
Radiateurs monophasés	XTKW07481

Pour obtenir une aide supplémentaire, veuillez appeler: 1-800-661-8529 (U.S.A. and Canada)  
Merci de préparer vos numéros de modèle et de série avant d'appeler.

**GARANTIE:** Dans des conditions normales d'utilisation, la Société garantit à l'acheteur que les produits ayant des défauts matériels ou de fabrication seront réparés ou remplacés sans frais pour une période de 18 mois à compter de la date d'expédition ou 12 mois à partir de la date de début de fonctionnement, selon la date qui arrive à expiration la première. Toute réclamation dans le cadre de la garantie doit être adressée à l'agence commerciale dans laquelle le produit a été acheté afin d'obtenir une réparation ou un remplacement selon les termes de cette garantie.

Non obstant toute loi fédérale ou provinciale au contraire, la Société ne pourra être tenue pour responsable des frais encourus pour l'installation, le retrait du service, le transport ou les dommages de quelque nature que ce soit, y compris les dommages résultant d'un manque d'utilisation, d'interruptions d'activité ou de dommages directs ou indirects.

La Société ne peut anticiper ou contrôler les conditions d'utilisation du produit et, par conséquent, décline toute responsabilité quant à l'application et l'adaptation en toute sécurité de ses produits lors de leur utilisation seuls ou en combinaison avec d'autres produits. Il est de la seule responsabilité de l'utilisateur d'effectuer des tests pour vérifier l'application et l'adaptation en toute sécurité des produits.

Cette garantie sera nulle si, à l'appréciation de la Société, le dommage, la panne ou le défaut a été causé par:

- Des vibrations, des radiations, de l'érosion, de la corrosion, une contamination du processus, des conditions opératoires anormales, la température et la pression, une poussée ou une pulsation anormale, l'encrassement, une usure normale, un manque d'entretien, des services appliqués de manière inappropriée tels que le voltage, l'air, le gaz l'eau et autres, ou toute autorisée par les conditions de régime; ou
- Tout acte omission de la part de l'acheteur ses agents, employés ou entrepreneur indépendant, comprenant pour une plus grande précision, mais pas au point de limiter la généralité de ce qui précède, une mauvaise utilisation physique, chimique ou mécanique, un accident, une mauvaise installation du produit, de mauvaises conditions de stockage ou de manipulation du produit, une application inappropriée ou en défaut d'alignement des pièces.

Aucune garantie ne s'applique à la finition de peinture, excepté dans le cas de défauts de fabrication apparents dans les 30 jours à compter de la date d'installation.

Le Société n'assume ni m'autorise aucune personne à assumer en son nom toute autre obligation ou responsabilité en rapport avec le/les produit(s).

L'acheteur accepte que la Société ne fournisse aucune garantie, expresse, implicite ou légale (y comprise toute garantie de qualité marchande ou de convenance à des fins particulières), écrite ou orale, du produit ou de la main-d'oeuvre indirecte, à l'exception des dispositions exprimées ou contenues dans le présent accord.

**RESPONSABILITÉ:** Les données techniques contenues dans le catalogue ou sur le site Web sont sujettes à modification sans préavis. La Société se réserve le droit d'apporter des modifications par rapport aux dimensions ou à la conception si nécessaire. L'acheteur reconnaît que la Société ne sera pas dans l'obligation de modifier ces articles manufacturés avant la formulation des modifications de conception ou des améliorations apportées au produit par la Société

La Société ne sera pas tenue de dédomager ou d'indemniser l'acheteur, l'utilisateur final ou toute autre partie pour les actions, les réclamations les responsabilités, les préjudices les sinistres, la perte d'usage, la perte d'activité, les dommages, les dommages indirects ou consécutifs, les demandes, les sanctions, les amendes, les dépenses (y compris les dépenses légales), les pertes, les obligations et les conséquences d'une action de quelque nature que ce soit découlant entièrement ou en partie de la négligence ou de l'omission de l'utilisateur ou de la mauvaise utilisation, de la mauvaise application, de l'utilisation dangereuse, de mauvaise installation, du manque d'entretien, du mauvais entretien ou de la mauvaise opération des produits fournis par la Société.

**Edmonton**

1-800-661-8529

1-780-466-3178

F 780-468-5904

**Oakville**

1-800-410-3131

1-905-829-4422

F 905-829-4430

**Orillia**

1-877-325-3473

1-705-325-3473

F 705-325-2106

**Houston**

1-800-654-2583

1-713-433-2600

F 713-433-4541

**Denver**

1-855-244-3128

1-303-979-7339

F 303-979-7350