

SGD Dusk-to-Dawn

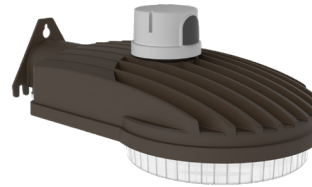
SLING SERIES

FEATURES

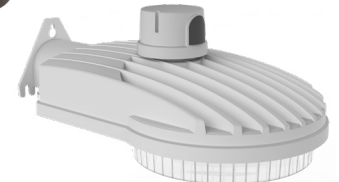
- Multi-purpose dusk-to-dawn LED luminaire provides general purpose area, security, roadway and landscape lighting
- Low profile housing with less than %1 uplight for environmentally friendly installations
- Includes photocontrol for automatic off during daylight hours
- Clamp for 1-5/8" to 2-3/8" diameter pipe



tradeSELECT®



SGD Bronze Finish with 3 Pin



SGD Light Grey Finish with 3 Pin

RELATED PRODUCTS

- ⊗ [Sling Wall](#)
- ⊗ [Sling Canopy](#)

SPECIFICATIONS

CONSTRUCTION

- Rugged die-cast aluminum housing with corrosion resistant powder coat finish both protects and provides architectural appearance
- Heat dissipating fins provide superior thermal performance extending the life of the electronic components
- Drop lens is made of UV stabilized Acrylic with self-retaining screws
- Arm can be ordered separately as an accessory

OPTICS

- Type 5 distribution

INSTALLATION

- Clamp for 1-5/8" to 2-3/8" diameter pipe

ELECTRICAL

- For use in 120-277V applications

CONTROLS

- ANSI 3-pin with lock photocontrol included for automatic off during daylight hours

CERTIFICATIONS

- Fixture is IP65 rated
- Listed to UL1598 for use in wet locations

WARRANTY

- 5 year limited warranty
- See [HLI Standard Warranty](#) for additional information

| KEY DATA | |
|--------------------------------|-------------|
| Lumen Range | 5702–7986 |
| Wattage Range | 39–56 |
| Efficacy Range (LPW) | 140 |
| Fixture Projected Life (Hours) | 60K |
| Weights lbs. (kg) | 7.47 (3.39) |

ORDERING GUIDE

STOCK ORDERING INFORMATION

| Catalog Number | Distribution | Wattage | Voltage | Delivered Lumens | CCT/CRI | LPW | Weight lbs. (kg) | Color |
|----------------|--------------|---------|----------|------------------|----------|-----|------------------|------------|
| SGD-40-4K-GR | Type 5 | 40W | 120–277V | 5702 | 4000K/70 | 143 | 7.47 (3.4) | Light Grey |
| SGD-60-4K-GR | Type 5 | 56W | 120–277V | 7986 | 4000K/70 | 142 | 7.47 (3.4) | Light Grey |
| SGD-40-4K | Type 5 | 40W | 120–277V | 5702 | 4000K/70 | 143 | 7.47 (3.4) | Bronze |
| SGD-60-4K | Type 5 | 56W | 120–277V | 7986 | 4000K/70 | 142 | 7.47 (3.4) | Bronze |

SGD Dusk-to-Dawn

SLING SERIES

ACCESSORIES

| Catalog Number | Description |
|-----------------------------------|---------------|
| <input type="checkbox"/> ARM-DD24 | Arm Accessory |
| <input type="checkbox"/> ARM-DD30 | Arm Accessory |

ELECTRICAL DATA

| Nominal Wattage | Input Voltage | Oper. Current (Amps) | System Power (Watts) |
|-----------------|---------------|----------------------|----------------------|
| 40 | 120 | 0.33 | 40 |
| | 208 | 0.19 | |
| | 240 | 0.16 | |
| | 277 | 0.14 | |
| 60 | 120 | 0.47 | 56 |
| | 208 | 0.27 | |
| | 240 | 0.23 | |
| | 277 | 0.20 | |

PROJECTED LUMEN MAINTENANCE

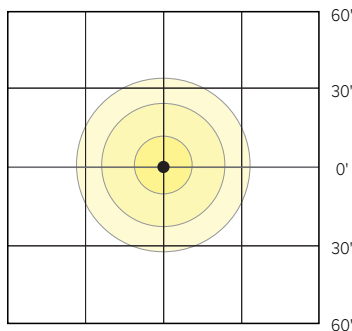
| Ambient Temperature | OPERATING HOURS | | | | | |
|---------------------|-----------------|--------|-----------------|--------|---------|-------------|
| | 0 | 25,000 | TM-21-11 36,000 | 50,000 | 100,000 | L70 (Hours) |
| 25°C / 77°F | 1.00 | 0.95 | 0.93 | 0.90 | 0.81 | 170,000 |
| 40°C / 104°F | 0.99 | 0.94 | 0.92 | 0.89 | 0.80 | 165,000 |

LUMINAIRE AMBIENT TEMPERATURE FACTOR (LATF)

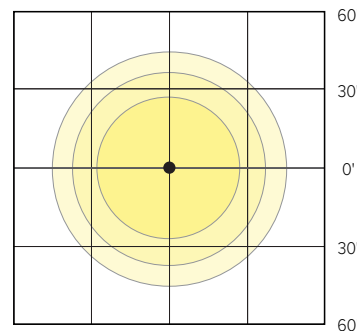
| Ambient Temperature | | Lumen Multiplier |
|---------------------|-------|------------------|
| 0°C | 32°F | 1.03 |
| 10°C | 50°F | 1.01 |
| 20°C | 68°F | 1.00 |
| 25°C | 77°F | 1.00 |
| 30°C | 86°F | 0.99 |
| 40°C | 104°F | 0.98 |

Use these factors to determine relative lumen output for average ambient temperatures from 0-40°C (32-104°F).

PHOTOMETRY

SGD-40-4K


Mounting Distance: 30'

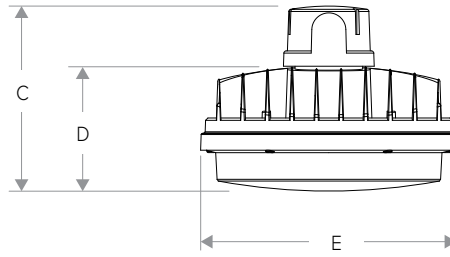
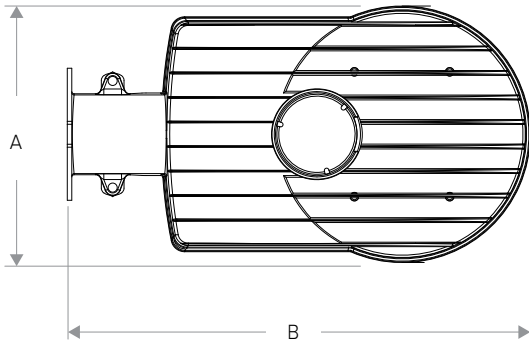
SGD-60-4K


Mounting Distance: 30'

SGD Dusk-to-Dawn

SLING SERIES

DIMENSIONS



| A | B | C | D | E | Weight |
|-----------------|------------------|-----------------|-------------------|-----------------|---------------------|
| 8.9" (226mm) | 16.1" (408mm) | 6.4" (163mm) | 4.6" (115.6mm) | 8.9" (226mm) | 2.75lbs (1.25kg) |

USE OF TRADEMARKS AND TRADE NAMES

All product and company names, logos and product identifies are trademarks™ or registered trademarks® of Hubbell Lighting, Inc. or their respective owners. Use of them does not necessarily imply any affiliation with or endorsement by such respective owners.