

DATE:	LOCATION:
TYPE:	PROJECT:
CATALOG #:	

CTK

LED TROFFER RETROFIT KIT

tradeSELECT®

FEATURES

- LED architectural retrofit for existing prismatic or parabolic troffers
- Integrated assembly allows for easy installation
- 2x2 and 2x4
- 80 CRI
- 0–10V dimming to 10%
- High efficiency UV stabilized polycarbonate frosted lens provides high performance without pixelation



SPECIFICATIONS

CONSTRUCTION

- Retrofit kit reflectors, ends, frame, and rails are manufactured from die formed code gauge cold rolled steel
- All reflective surfaces are finished after fabrication with high reflectivity matte white paint for soft, uniform indirect illumination

OPTICS

- UV stabilized polycarbonate frosted lens provides performance without pixelation

INSTALLATION

- Mounting rails and hardware are furnished with each luminaire for easy installation

INSTALLATION (CONTINUED)

- Minimum dimensional requirements are listed on page 2. Columbia Lighting recommends a trial installation prior to ordering project quantities
- This product not suitable for air handling units
- Refer to installation instructions for details

ELECTRICAL

- 54,000 hour LEDs at L70 for reduced maintenance
- Operates at 120–277V input
- 0–10V dimmable driver, down to 10%

CERTIFICATIONS

- All luminaires are built to UL 1598 standards and bear appropriate cULus labels
- Damp location label standard
- Adheres to LM79, LM80, and TM21 industry standards for photometrics and lifetime calculations
- DLC® (DesignLights Consortium) Premium Qualified. Please refer to the DLC website for specific product qualifications at www.designlights.org

WARRANTY

- 5 year warranty
- See [HLI Standard Warranty](#) for additional information

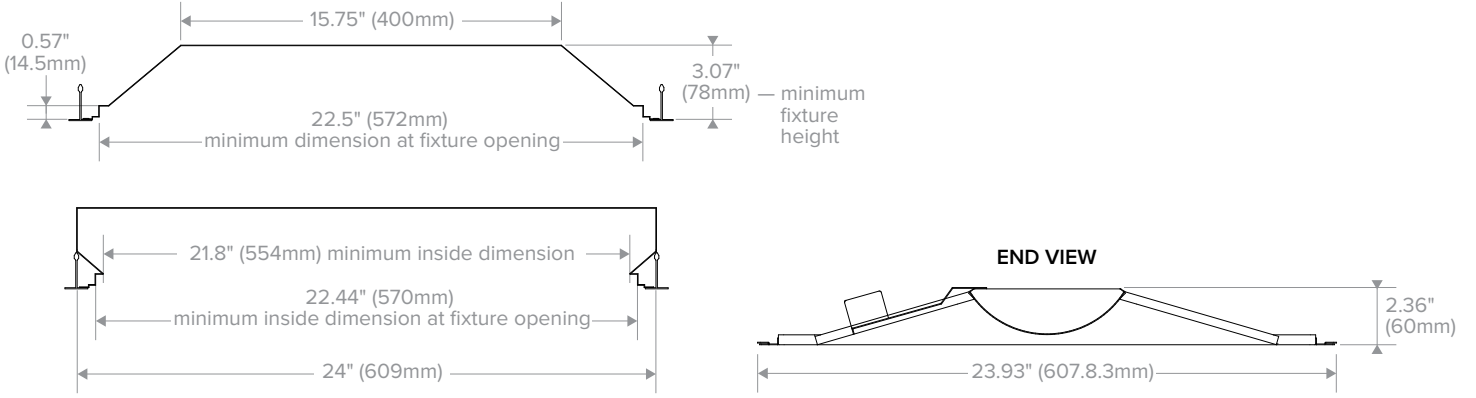
ORDERING GUIDE

Catalog Number	UPC	Description	Delivered Lumens	Watts	LPW
CTK22-4035	840141400105	2x2 Retrofit Kit, 4000 Lumens, 3500K	4057	32	126
CTK22-4040	840141400112	2x2 Retrofit Kit, 4000 Lumens, 4000K	4120	32	128
CTK22-3335	840141400129	2x2 Retrofit Kit, 3300 Lumens, 3500K	3093	25	126
CTK22-3340	840141400136	2x2 Retrofit Kit, 3300 Lumens, 4000K	3124	25	127
CTK22-2835	840141400143	2x2 Retrofit Kit, 2800 Lumens, 3500K	2644	21	124
CTK22-2840	840141400150	2x2 Retrofit Kit, 2800 Lumens, 4000K	2683	21	127
CTK24-4435	840141400167	2x4 Retrofit Kit, 4400 Lumens, 3500K	4452	35	127
CTK24-4440	840141400174	2x4 Retrofit Kit, 4400 Lumens, 4000K	4536	35	129
CTK24-3535	840141400181	2x4 Retrofit Kit, 3500 Lumens, 3500K	3578	28	126
CTK24-3540	840141400198	2x4 Retrofit Kit, 3500 Lumens, 4000K	3569	28	127
CTK24-2535	840141400204	2x4 Retrofit Kit, 2500 Lumens, 3500K	2551	20	128
CTK24-2540	840141400211	2x4 Retrofit Kit, 2500 Lumens, 4000K	2583	20	130

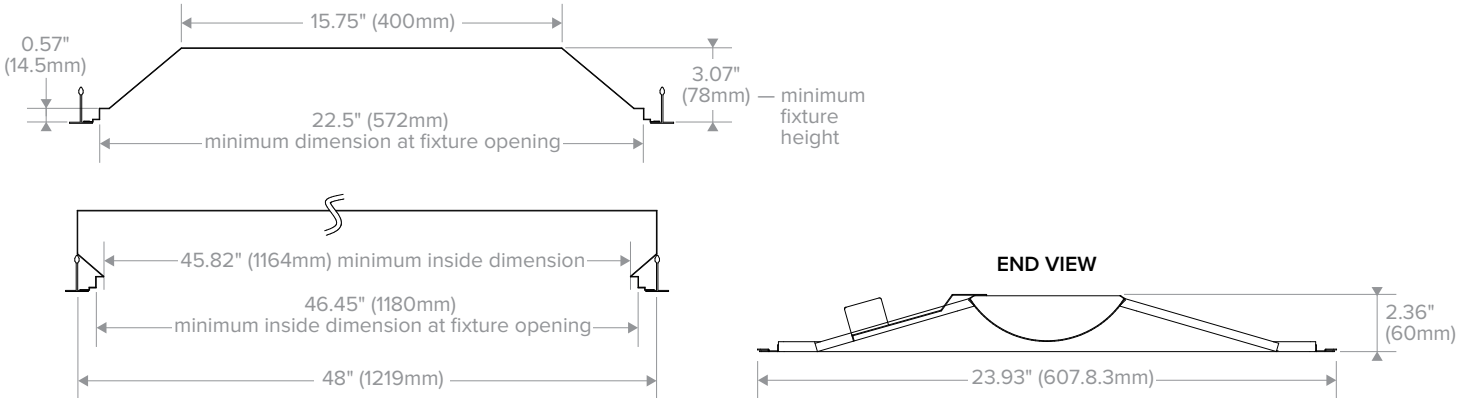
KEY DATA	
Lumen Range	2551–4536
Wattage Range	20–35
Efficacy Range (LPW)	124–130
Reported Life (Hours)	L70/54,000

MINIMUM HOST FIXTURE DIMENSIONS

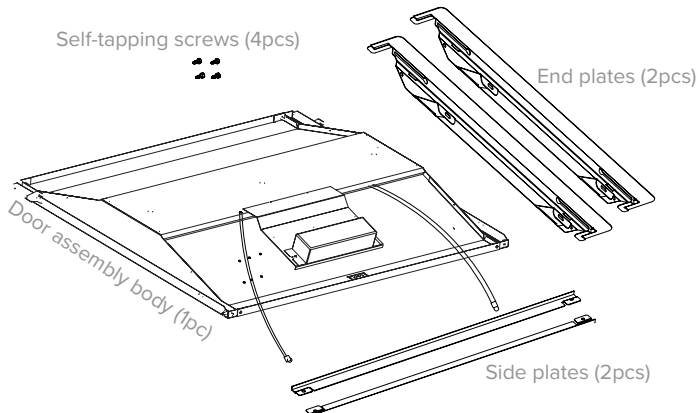
2'X2'



2'X4'



INCLUDED PARTS



Note: Besides length differences, included parts on the 2x2 and 2x4 are the same.

PHOTOMETRY

CTK22-4035

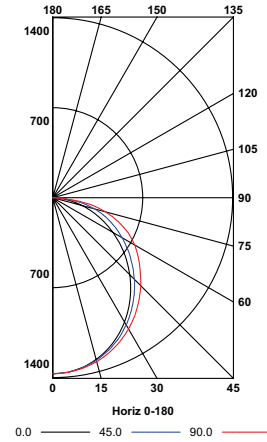
LUMINAIRE DATA

Test No.	CTK22-4035
Description	CTK Troffer Retrofit Kit 2x2 4000lm
Delivered Lumens	4060
Watts	32.23
Efficacy	126
Mounting	Recessed
Spacing Criterion	0° = 1.21 90° = 1.28

ZONAL LUMEN SUMMARY

Zone	Lumens	% Luminaire
0-30	1057	26.0
0-40	1727	42.5
0-60	3068	75.6
0-90	4058	100.0
0-180	4060	100.0

POLAR GRAPH



CTK24-4435

LUMINAIRE DATA

Test No.	CTK24-4435
Description	CTK Troffer Retrofit Kit 2x4 4400lm
Delivered Lumens	4454
Watts	35.16
Efficacy	127
Mounting	Recessed
Spacing Criterion	0° = 1.22 90° = 1.27

ZONAL LUMEN SUMMARY

Zone	Lumens	% Luminaire
0-30	1148	25.8
0-40	1876	42.1
0-60	3338	74.9
0-90	4454	100.0
0-180	4454	100.0

POLAR GRAPH

