

DATE: _____ LOCATION: _____
 TYPE: _____ PROJECT: _____
 CATALOG #: _____

tradeSELECT®

FEATURES

- Switchable Lumen technology:
5500/4100/3400 lumens (1x4, 2x4)
4000/3300/2800 lumens (2x2)
- 1x4, 2x2, and 2x4 sizes
- 80 CRI
- 0–10V dimming to 10%
- Recessed, surface, or cable mount
- Universal voltage (120–277V)
- IC rated
- Suitable for ISO Class 5–9 positive pressure cleanrooms



SPECIFICATIONS

CONSTRUCTION

- Extruded aluminum frame has a matte white finish and smooth frame-to-lens transition

OPTICS

- Acrylic blend light guide with frosted/textured outer lens provides edge to edge illumination without pixelation or bright spots

INSTALLATION

- Integral T-bar clips for secure mounting to grid ceiling
- For surface/cable mount applications use surface/cable mount kit accessories
- For plaster or sheet rock installations, use flange kit

ELECTRICAL

- 54,000 hour LEDs at L70 for reduced maintenance
- Switchable Lumen technology allows for easy field-adjustable lighting output with three level switch located on back of panel
- Switchable Lumen fixtures ship at the highest lumen output setting
- Operates at 120-277V input
- 0–10V dimmable driver, down to 10%

CERTIFICATIONS

- All luminaires are built to UL 1598 standards and bear appropriate cULus labels
- Certified to UL 924 standards with battery pack

CERTIFICATIONS (CONTINUED)

- Damp location label standard
- Tested in accordance with ISO 14644-1; suitable for ISO Class 5–9 positive pressure cleanrooms
- Adheres to LM79, LM80, and TM21 industry standards for photometrics and lifetime calculations
- DLC® (DesignLights Consortium Qualified, with some Premium Qualified configurations. Please refer to the DLC website for specific product qualifications at www.designlights.org)

WARRANTY

- 5 year warranty
- See [HLI Standard Warranty](#) for additional information

KEY DATA	
Lumen Range	2876–7534
Wattage Range	25–56
Efficacy Range (LPW)	102–137
Reported Life (Hours)	L70/54,000

ORDERING GUIDE

Catalog No.	UPC	Description	Delivered Lumens	Watts	LPW
CFP14-55/41/3435	078531140953	1x4 Edge-Lit Flat Panel, 5500/4100/3400 Switchable Lumens, 3500K	5880	50	117
			4837	40	121
			3847	31	125
CFP14-55/41/3440	078531140960	1x4 Edge-Lit Flat Panel, 5500/4100/3400 Switchable Lumens, 4000K	6084	50	122
			5035	40	126
			3980	31	130
CFP22-40/33/2835	078531140977	2x2 Edge-Lit Flat Panel, 4000/3300/2800 Switchable Lumens, 3500K	4281	40	108
			3338	30	113
			2876	25	115
CFP22-3335-HE	078531140571	2x2 Edge-Lit Flat Panel, 3300 Lumens, 3500K	3469	26	131
CFP22-40/33/2840	078531140984	2x2 Edge-Lit Flat Panel, 4000/3300/2800 Switchable Lumens, 4000K	5001	40	125
			3905	30	131
			3382	26	133
CFP22-3340-HE	078531140595	2x2 Edge-Lit Flat Panel, 3300 Lumens, 4000K	3502	26	134
CFP24-55/41/3435	078531140991	2x4 Edge-Lit Flat Panel, 5500/4100/3400 Switchable Lumens, 3500K	5024	49	102
			4069	39	104
			3197	30	107
CFP24-4135-HE	078531140632	2x4 Edge-Lit Flat Panel, 4100 Lumens, 3500K	4103	32	129
CFP24-55/41/3440	078531141004	2x4 Edge-Lit Flat Panel, 5500/4100/3400 Switchable Lumens, 4000K	6143	50	122
			5030	40	125
			3945	31	128
CFP24-4140-HE	078531140656	2x4 Edge-Lit Flat Panel, 4100 Lumens, 4000K	4350	32	137
CFP24-7535	078531140687	2x4 Edge-Lit Flat Panel, 7500 Lumens, 3500K	7364	56	132
CFP24-7540	078531140694	2x4 Edge-Lit Flat Panel, 7500 Lumens, 4000K	7534	56	135



10-Day Quick-Ship options:

Add **ELL14** (Emergency Battery Pack Installed, 1400 Lumens) or **C588** (5-wire Flex) to any stocked option.

Examples: **CFP14-55/41/3435-ELL14**; **CFP14-55/41/3435-C588**

Accessories (Order Separately)

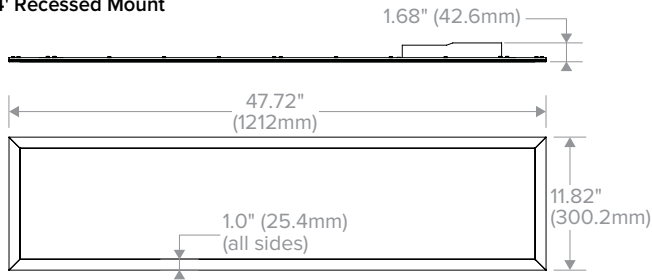
PLD10M	Dual-Lite® Emergency LED Battery Pack, field installed
PLRTS	Remote Test Switch/Charge Indicator Module (fits single-gang box)
FK14	1x4 Single Flange Kit
FK22	2x2 Single Flange Kit
FK24	2x4 Single Flange Kit
CFPSMK-14	1x4 CFP Surface Mount Kit ¹
CFPSMK-22	2x2 CFP Surface Mount Kit ¹
CFPSMK-24	2x4 CFP Surface Mount Kit ¹
CFPCM36Y SC5F-KIT	36" Cable Mount Kit for 1' or 2' wide Cable Mount fixtures, 5-wire

Notes:

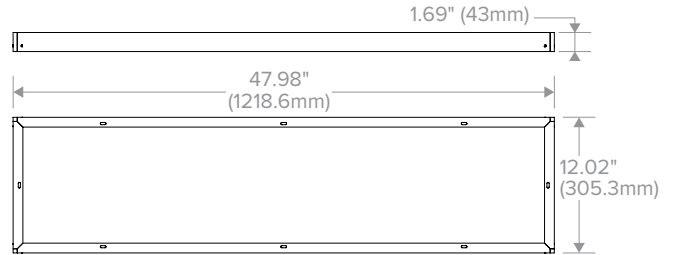
1 Surface Mount kits are not compatible with factory installed battery pack options

DIMENSIONS

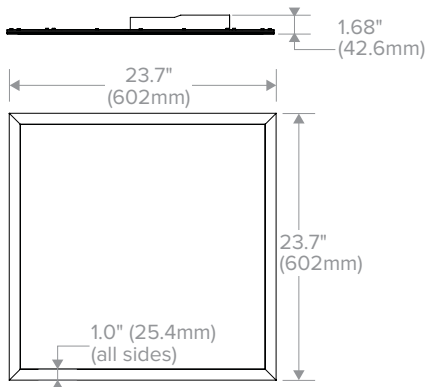
1'x4' Recessed Mount



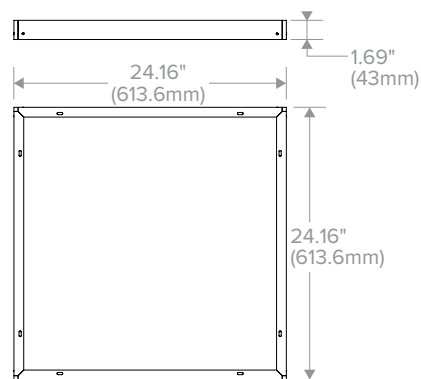
1'x4' Surface Mount



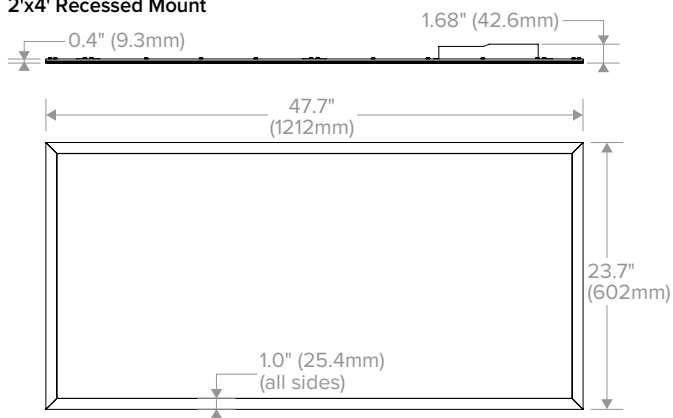
2'x2' Recessed Mount



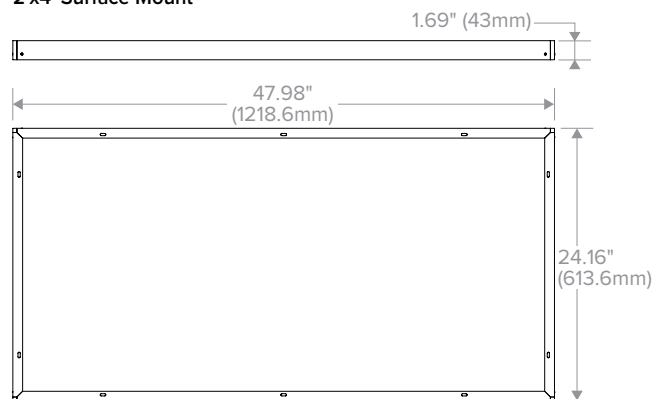
2'x2' Surface Mount



2'x4' Recessed Mount



2'x4' Surface Mount



PHOTOMETRY

CFP22-40/33/2835 set for 3300lm

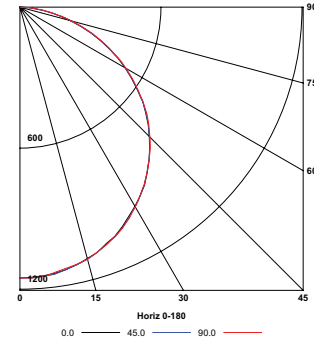
LUMINAIRE DATA

Test No.	19.02140
Description	CFP LED Edge-Lit, Recessed 2' x 2' Switchable Lumen Flat Panel Set For 3300lm
Delivered Lumens	3339
Watts	29.54
Efficacy	113
Mounting	Recessed
Spacing Criterion	0° = 1.26 90° = 1.26

ZONAL LUMEN SUMMARY

Zone	Lumens	% Luminaire
0-30	898	26.9
0-40	1474	44.1
0-60	2620	78.5
0-90	3339	100.0
0-180	3339	100.0

POLAR GRAPH



CFP24-55/41/3435 set for 4100lm

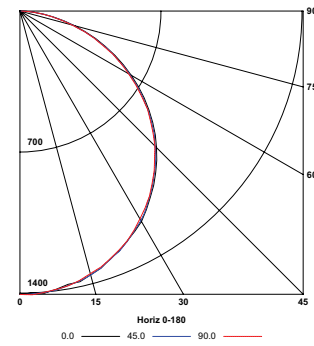
LUMINAIRE DATA

Test No.	19.02146
Description	CFP LED Edge-Lit, Recessed 2' x 4' Switchable Lumen Flat Panel Set For 4100lm
Delivered Lumens	4072
Watts	39.13
Efficacy	104
Mounting	Recessed
Spacing Criterion	0° = 1.27 90° = 1.26

ZONAL LUMEN SUMMARY

Zone	Lumens	% Luminaire
0-30	1097	26.9
0-40	1800	44.2
0-60	3197	78.5
0-90	4072	100.0
0-180	4072	100.0

POLAR GRAPH



CFP24-7535

LUMINAIRE DATA

Test No.	19.01600
Description	CFP LED Edge-Lit, Recessed 2x4 tradeSELECT Flat Panel
Delivered Lumens	7364
Watts	55.91
Efficacy	132
Mounting	Recessed
Spacing Criterion	0° = 1.26 90° = 1.26

ZONAL LUMEN SUMMARY

Zone	Lumens	% Luminaire
0-30	1978	26.9
0-40	3248	44.1
0-60	5776	78.4
0-90	7364	100.0
0-180	7964	100.0

POLAR GRAPH

