



INTERACTIVE MENU

- Ordering Guide
- Performance Table
- Photometric Data
- Dimensional Data

EXTERNAL LINKS

- NX Distributed Intelligence™ Brochure

PROJECT INFORMATION

Project Name _____

Type _____

Catalog No. _____

Date _____

COMPATIBLE WITH:



FEATURES

- Long life 60,000 hour LEDs at L80 for reduced maintenance
- Superior color consistency within a 3-step MacAdam ellipse and greater than 80 CRI
- Available in 2', 4' or 8' lengths
- Optional integral emergency battery pack
- Heavy die-formed steel channel with 100% acrylic formed diffuser
- Modular replaceable LED boards and driver accessible for future maintenance or upgrades
- Surface mount, wall mount
- DLC® (DesignLights Consortium) Qualified, with some Premium Qualified configurations - see www.designlights.org
- NX Distributed Intelligence™ provides options for standalone and networked integrated sensor with wired or wireless connectivity for NX system deployments
- Occupancy controlled dimming of the LEDs increases energy savings while maintaining base light levels in stairwells at all times (see Occupancy Sensor section below)
- Five year warranty



ESCALATE™ STAIRWELL LUMINAIRE

CONSTRUCTION

Housing, wireway, and ends are formed from code-gauge steel. Housing components act as heat sink for LED heat dissipation. Knockouts are provided for electrical access and mounting.

LENS

Shielded with 100% frosted prismatic acrylic lens.

FINISH

White painted parts are treated with a five-stage phosphate bonding process and finished with high reflectance baked enamel.

ELECTRICAL

Long-life LEDs are rated for 60,000 hours at L80 lumen maintenance.

OCCUPANCY SENSOR

Hubbell Control Solutions internally mounted NX Omni Passive Infrared Occupancy sensor is standard. Default settings: 15 min. unoccupied sensor dims luminaire to 50% output, once occupied luminaire returns to 100% output; never turning entirely off. LED indicator for easy verification of coverage. Coverage is 1:2.75 (mounting height: coverage ratio) up to 12', minimum 8' mounting height. Enables Intelliscope™ feature when paired with NX Bluetooth mobile App, providing real time visibility of motion for improved accuracy of sensor sensitivity and time delay adjustments.

CERTIFICATION

All luminaires are built to UL 1598 and 2108 standards, and bear appropriate CSA c/US labels. Damp location labeling is standard. Emergency equipped fixtures labeled UL924. Adheres to LM79, LM80, and TM21 industry standards.

WARRANTY

Five year warranty (Terms and Conditions apply).

ORDERING INFORMATION

EXAMPLE ESL4-40ML-FAW-EDU-NXOS

YOUR ORDER **ESL** - - **W** - **ED** -

ESL					W		ED	
MODEL	SIZE	COLOR TEMP	LUMEN OUTPUT ¹			LENS	DISTRIBUTION	DRIVER
ESL Escalate™ Stairwell Luminaire	2 2'	30 3000K	VW	2' (1700), 4' (3300), 8' (6600)	FA	Frosted Acrylic	W	Wide Distribution
	4 4'	35 3500K	VWHE	4' (3200), 8' (6400)	FP	Frosted Polycarbonate		ED
	8 8'	40 4000K	MW	2' (2200), 4' (3700), 8' (7400)				0-10V Dimming ²
		50 5000K	MWHE	2' (2000), 4' (3600), 8' (7200)				
			LW	2' (2400), 4' (4100), 8' (8200)				
			LWHE	2' (2600), 4' (4000), 8' (8000)				
			ML	2' (3500), 4' (4600), 8' (9200)				
			MLHE	4' (4600), 8' (9200)				
			HL	4' (5800)				
			HLHE	4' (5500)				

See Lumen Tables below.

VOLTAGE	OPTIONS	CONTROL OPTIONS
U 120V-277V	ELL14 Emergency Battery Pack, 10W ^{3,4}	NXOS NX, PIR Occupancy Sensor, Dimming Daylight Harvesting
347 347V	GTD Generator Transfer Device	NXS NX, PIR Occupancy Sensor, Dimming Daylight Harvesting
	GLR Fast Blow Fuse	NXOSW NX Wireless, PIR Occupancy Sensor, Dimming Daylight Harvesting
		NXSW NX Wireless, PIR Occupancy Sensor, Dimming Daylight Harvesting
		HFU High Frequency Ultra-sonic Occupancy Sensor

¹Nominal lumen output, refer to Performance Tables for exact values and available lumen outputs for fixture size.

²External dimming leads not available.

³For compatibility with Dual-Lite LiteGear® inverters in lieu of installed battery pack, contact Hubbell Lighting representative.

⁴Not available with 2 ft size.

PERFORMANCE TABLE												
FIXTURE	3000K			3500K			4000K			5000K		
	LUMENS	WATTS	LPW	LUMENS	WATTS	LPW	LUMENS	WATTS	LPW	LUMENS	WATTS	LPW
ESL2-VW	1630	13.8	118	1659	13.8	120	1681	13.8	122	1736	13.8	126
ESL2-MW	2162	18.2	119	2201	18.2	121	2229	18.2	122	2303	18.20	127
ESL2-MWHE	1952	15.5	126	1987	15.5	128	2013	15.5	130	2079	15.5	134
ESL2-LW	2401	20.4	118	2444	20.4	120	2475	20.4	121	2557	20.4	125
ESL2-LWHE	2514	20.2	124	2559	20.2	127	2592	20.2	128	2677	20.2	133
ESL2-ML	3391	29.0	117	3452	29.0	119	3496	29.0	121	3611	29.0	125
ESL4-VW	3221	26.7	121	3279	26.7	123	3321	26.7	124	3430	26.7	128
ESL4-VWHE	3099	24.4	127	3155	24.4	129	3195	24.4	131	3300	24.4	135
ESL4-MW	3591	30.4	118	3656	30.4	120	3702	30.4	122	3824	30.4	126
ESL4-MWHE	3485	27.6	126	3548	27.6	129	3593	27.6	130	3712	27.6	134
ESL4-LW	3972	34.4	116	4043	34.4	118	4095	34.4	119	4230	34.4	123
ESL4-LWHE	3892	29.1	134	3962	29.1	136	4013	29.1	138	4145	29.1	142
ESL4-ML	4475	40.1	112	4556	40.1	114	4614	40.1	115	4766	40.1	119
ESL4-MLHE	4461	33.8	132	4541	33.8	134	4599	33.8	136	4751	33.8	141
ESL4-HL	5658	49.5	114	5760	49.5	116	5833	49.5	118	6026	49.5	122
ESL4-HLHE	5393	40.8	132	5490	40.8	135	5560	40.8	136	5744	40.8	141
ESL8-VW	6442	53.4	121	6558	53.4	123	6642	53.4	124	6861	53.4	128
ESL8-VWHE	6198	48.8	127	6310	48.8	129	6390	48.8	131	6601	48.8	135
ESL8-MW	7182	60.8	118	7311	60.8	120	7405	60.8	122	7649	60.8	126
ESL8-MWHE	6970	55.2	126	7095	55.2	129	7186	55.2	130	7423	55.2	134
ESL8-LW	7944	68.8	116	8087	68.8	118	8190	68.8	119	8460	68.8	123
ESL8-LWHE	7784	58.2	134	7924	58.2	136	8025	58.2	138	8290	58.2	142
ESL8-ML	8950	80.2	112	9111	80.2	114	9227	80.2	115	9532	80.2	119
ESL8-MLHE	8922	67.6	132	9083	67.6	134	9199	67.6	136	9502	67.6	141

AMBIENT TEMP. FOR DRIVER AVAILABILITY		
SIZE	LUMEN PACKAGE	CEILING/SURFACE MOUNT
2'	VW	35
	MW	35
	LW	35
	ML	35
4'	VW	30
	MW	30
	LW	30
	ML	30
	HL	25
8'	VW	30
	MW	30
	LW	30
	ML	30
	HL	25

Note: Emergency battery pack max ambient temperature: -25° C.

Test 20376 Test Date 9/25/2017

LUMINAIRE DATA

Luminaire	ESL4-40ML-FAN-EDU Escalate™ Surface, Narrow LED 4ft, Frosted Linear Prisms Lens
Ballast	XI040C110V054BST1
Ballast Factor	1.00
Lamp	LED
Fixture Lumens	4742
Watts	37.70
Mounting	Recessed
Shielding Angle	0° = 90 90° = 90
Spacing Criterion	0° = 1.18 90° = 0.77
Luminous Opening in Feet	Length: 4.00 Width: 0.25 Height: 0.12

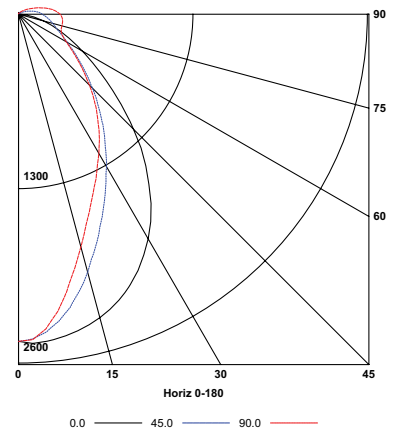
ZONAL LUMEN SUMMARY

Zone	Lumens	% Lamp	% Fixt.
0-30	1542	32.5	32.5
0-40	2326	49.1	49.1
0-60	3518	74.2	74.2
0-90	4385	92.5	92.5
0-180	4742	100.0	100.0

ENERGY DATA

Total Luminaire Efficiency	100.0%
Total Lumens per Watt	126
IESNA RP-1-2004 Compliance	Non-Compliant
Comparative Yearly Lighting Energy Cost per 1000 Lumens	\$1.92 based on 3000 hrs. and \$0.08 per KWH

INDOOR CANDELA PLOT



Test 20373 Test Date 4/19/2017

LUMINAIRE DATA

Luminaire	ESL4-40ML-FAW-EDU Escalate™ Surface, Narrow LED 4ft, Frosted Linear Prisms Lens
Ballast	XI040C110V054BST1
Ballast Factor	1.00
Lamp	LED
Fixture Lumens	4615
Watts	40.10
Mounting	Surface
Shielding Angle	0° = 90 90° = 90
Spacing Criterion	0° = 1.18 90° = 0.77
Luminous Opening in Feet	Length: 4.00 Width: 0.25 Height: 0.13

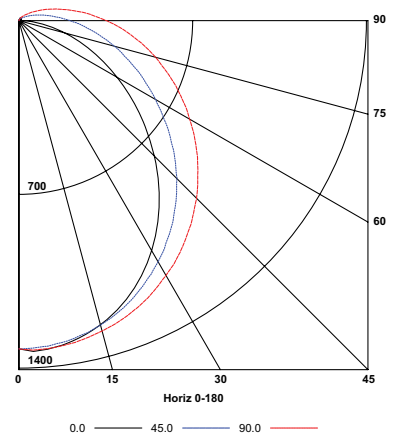
ZONAL LUMEN SUMMARY

Zone	Lumens	% Lamp	% Fixt.
0-30	1029	22.3	22.3
0-40	1688	36.6	36.6
0-60	3019	65.4	65.4
0-90	4248	92.0	92.0
0-180	4615	100.0	100.0

ENERGY DATA

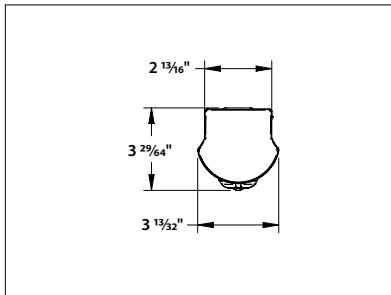
Total Luminaire Efficiency	100.0%
Total Lumens per Watt	115
IESNA RP-1-2004 Compliance	Non-Compliant
Comparative Yearly Lighting Energy Cost per 1000 Lumens	\$2.09 based on 3000 hrs. and \$0.08 per KWH

INDOOR CANDELA PLOT

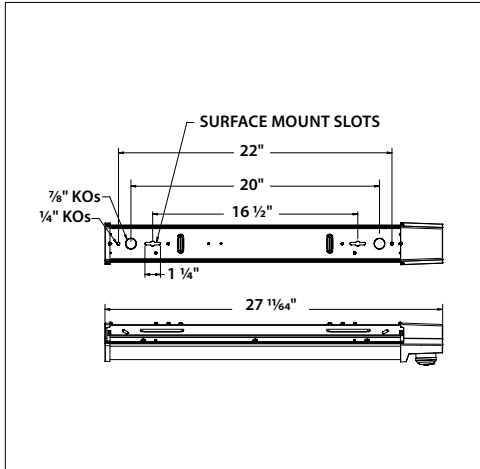


DIMENSIONAL DATA

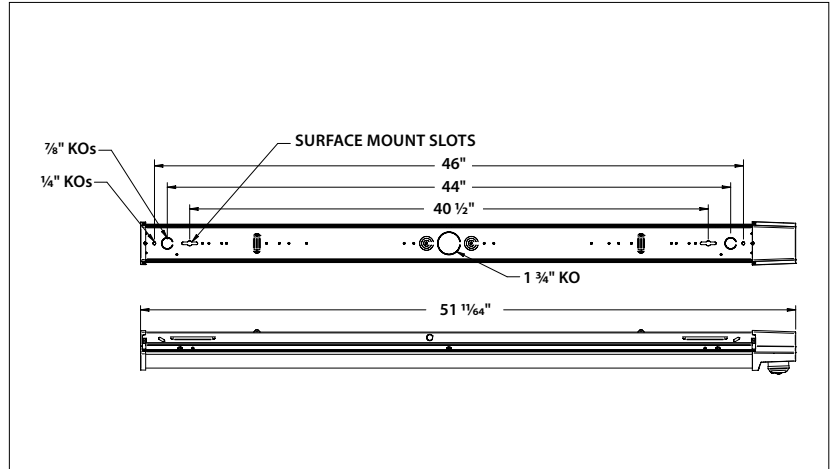
ESL END VIEW



ESL 2' DIMENSIONS



ESL 4' DIMENSIONS



ESL 8' DIMENSIONS

