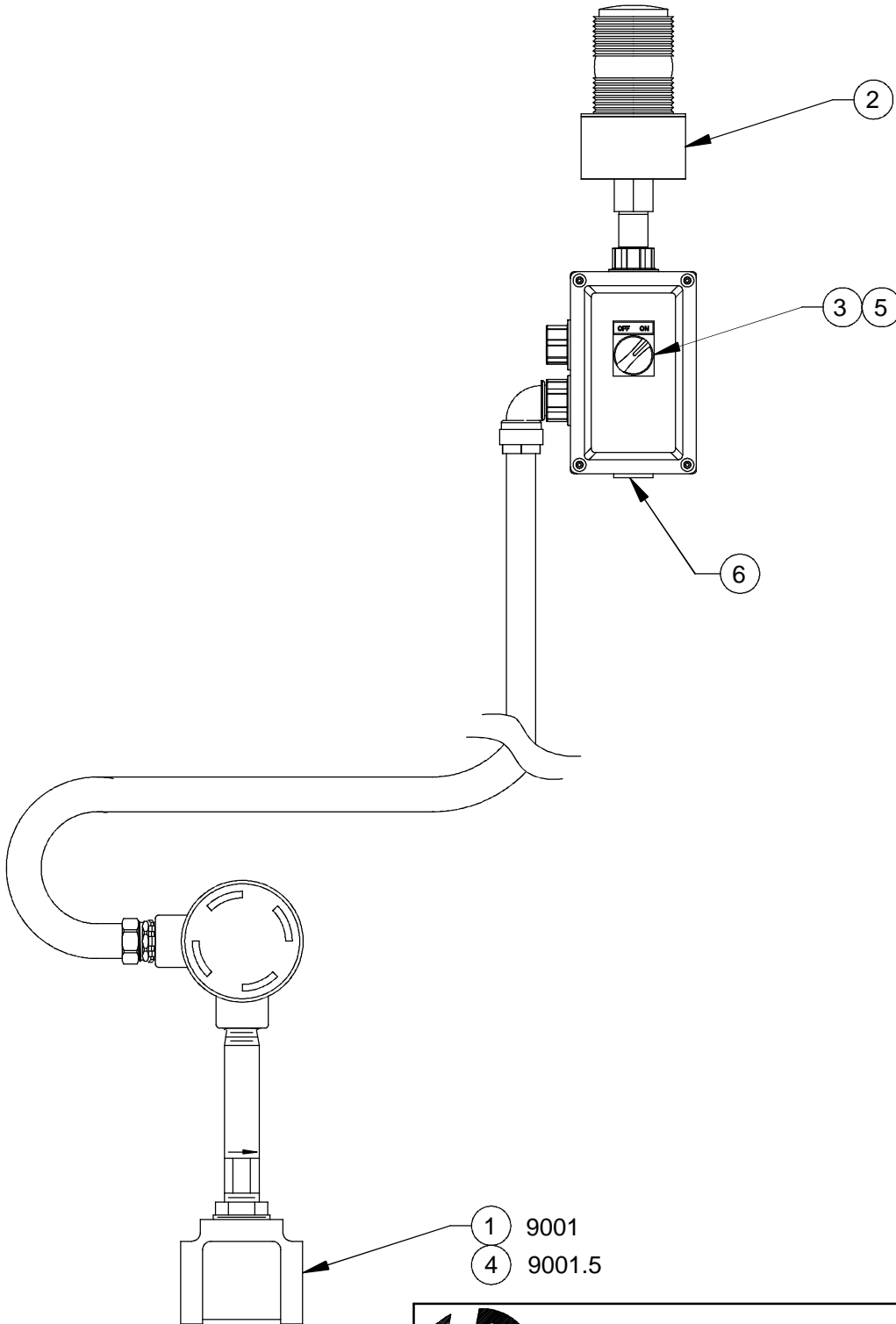



PARTS BREAKDOWN

ITEM	DESCRIPTION	PART NO.
1	FLOW SWITCH	SP154DPDT
2	120V LIGHT	0003225300
3	SELECTOR SWITCH	0005726705.3
4	FLOW SWITCH	0005726850
5	LEGEND PLATE	0004465585.2
6	PIEZO ALARM	0210000283



- 1 9001
- 4 9001.5

		Haws [®]		1455 KLEPPE LANE SPARKS, NEVADA 89431 (775) 359-4712 FAX (755) 359-7424 E-MAIL: HAWS@HAWS.CO.COM WEBSITE: WWW.HAWS.CO.COM	
				ECN NO. REVISED PER BY ECN: 5149 VWC	MODEL(S) 9001/9001.5 ALARM
DRAWN CLF	DATE 3/17/93	CHECKED CHKD			DRAWING NO. A
APPROVED FV	DATE 11/03/16	SCALE: 1:2.5	DRAWING TYPE: PARTS BREAKDOWN	SIZE: A	SHEET 1 OF 1

WHEN ORDERING PARTS PLEASE SPECIFY MODEL NUMBER.