

## FEATURES & BENEFITS

### AUDIBLE/VISUAL

Notification of an emergency is clearly noticeable with a brightly flashing amber light, and easily recognizable with a 90 db buzzer. Buzzer can be silenced during testing by use of the silencing switch.

### FLOW SWITCH

The alarm is activated by an 1-1/4" IPS double pole, double throw brass flow switch that is supplied with an extra set of electrical contacts for remote alarm hook-up.

### FLEXIBILITY

The alarm is easily placed in a number of mounting configurations with the supplied pipe clamp.



## OPTIONS

For more information, visit [www.hawsc.com](http://www.hawsc.com) or call (888) 640-4297.

## SPECIFICATIONS

Model 9001 emergency alarm and light system will be operated by a double pole, double throw flow switch, which contains multiple sets of contacts for remote activation, and activates an amber flashing light and buzzer at 90 db, audible at 10 feet (304.8 cm) (buzzer can be silenced during testing). Switch will activate at 2.4 gpm (9.1 L). System can be mounted to pipe or wall. Voltage: 120 VAC, 50 or 60 cycles. Supply: 1-1/4" NPT. Model 9001 is CSA electrical certified, TYPE 4. (Equivalent to Nema 4)

## APPLICATIONS

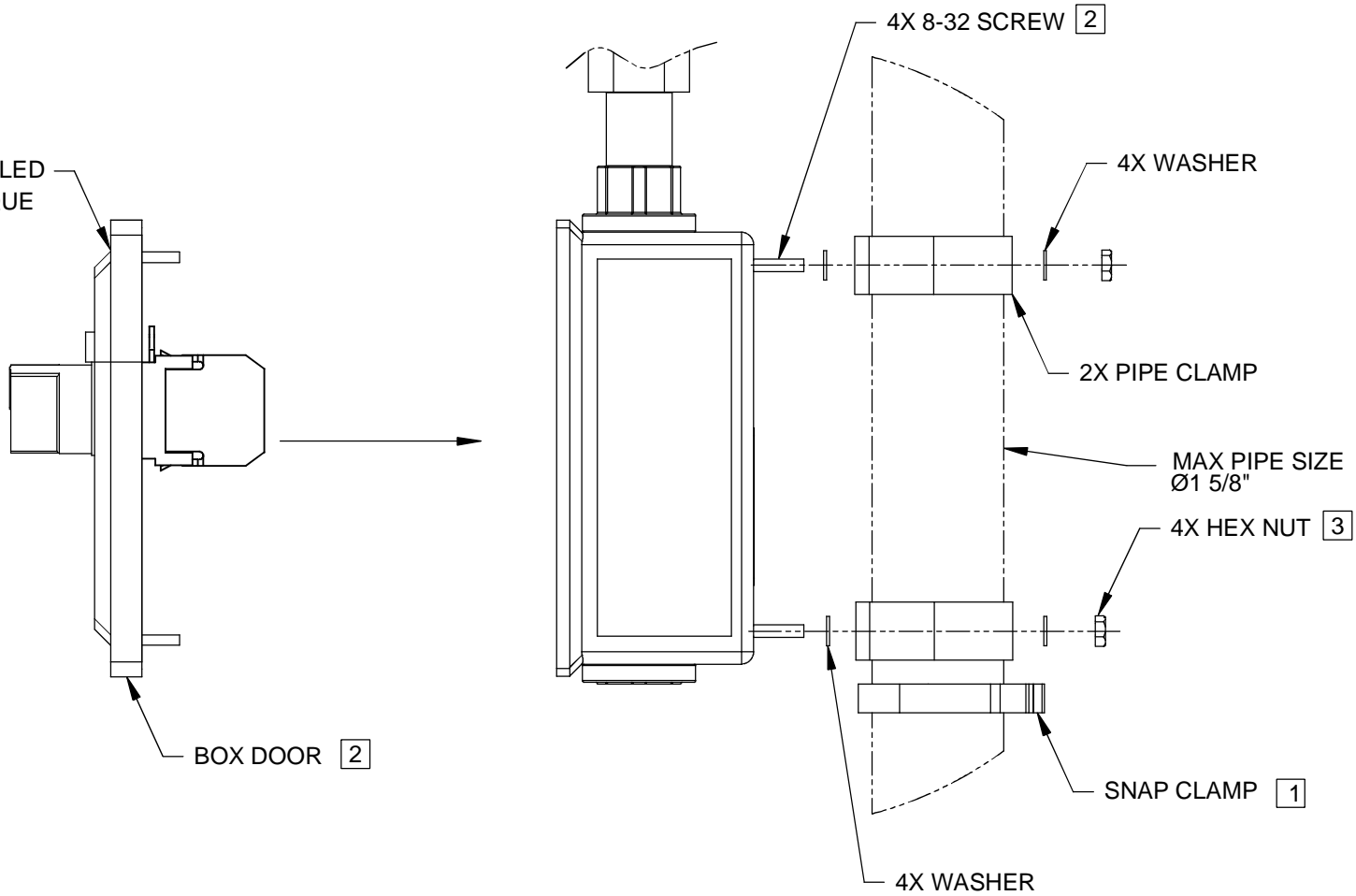
Specifically, this alarm can be used with almost any Haws combination shower/eyewash model. Model 9001 is CSA electrical certified, TYPE 4. (Nema 4 equivalent)




**NOTES:**

- 1 SNAP CLAMP TO BE INSTALLED FIRST FOR VERTICAL SUPPORT.
- 2 SCREWS INSTALLED FROM FRONT, WITH BOX DOOR OFF.
- 3 NUTS TO BE INSTALLED TO A TORQUE OF 12 IN-LBS MAX.

LID TO BE INSTALLED TO 3 IN/LBS TORQUE



**CLAMP ASSEMBLY DETAIL**

		1455 KLEPPE LANE SPARKS, NEVADA 89431 (775) 359-4712 FAX (775) 359-7424 E-MAIL: HAWS@HAWS.CO.COM WEBSITE: WWW.HAWS.CO.COM	
		ECN NO. . ECN: 5149 REVISED PER: CH DATE: 01/09/01 APPROVED: FV	BY: VWG CHK D.: VWG DATE: 11/03/16
SCALE: 1:1		DRAWING TYPE: INSTALLATION	
SIZE: A		SHEET 2 OF 2	