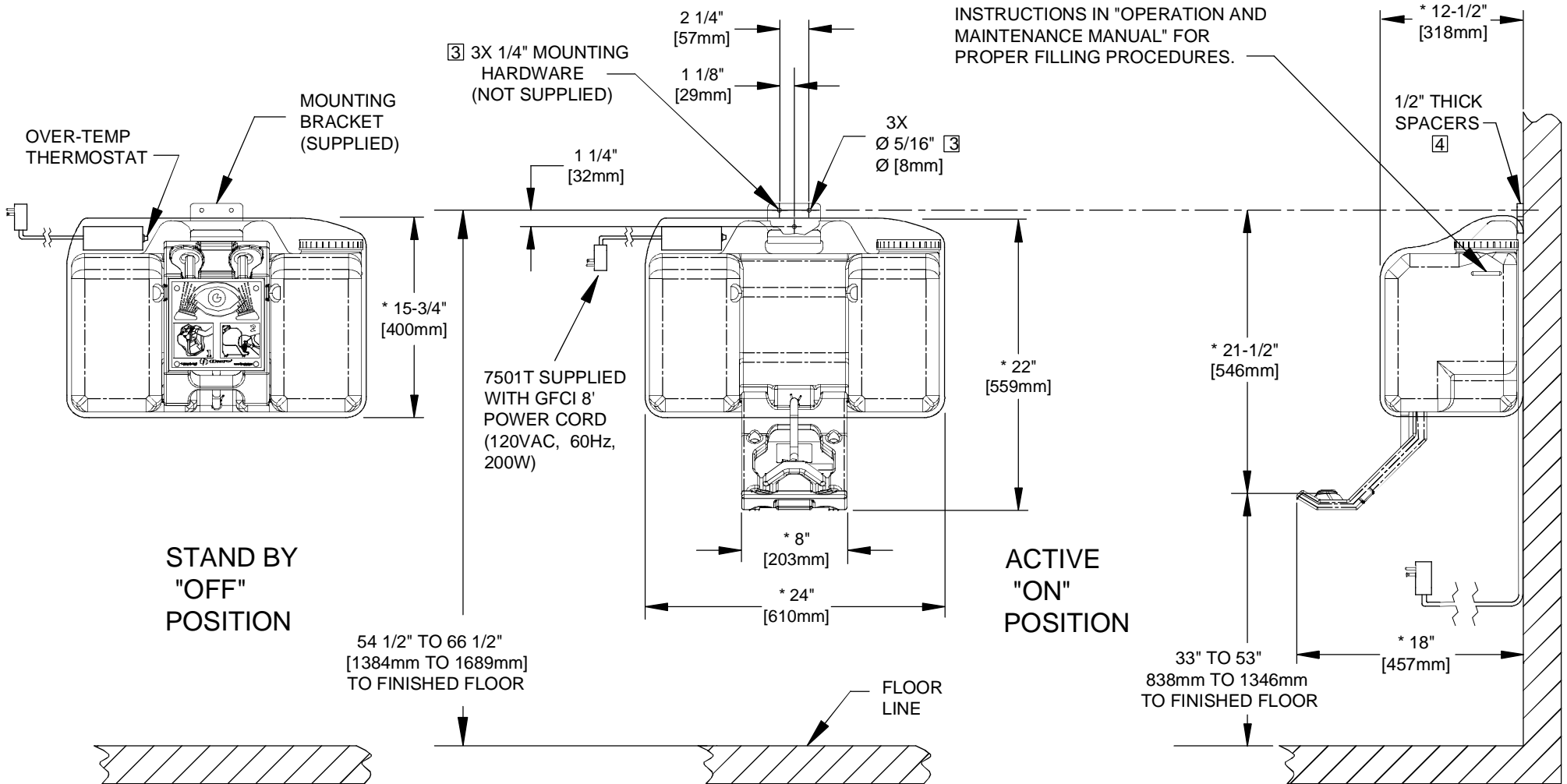


DO NOT EXCEED WATER FILL LINE. REFER TO INSTALLATION INSTRUCTIONS IN "OPERATION AND MAINTENANCE MANUAL" FOR PROPER FILLING PROCEDURES.



NOTES: (CONTINUED FROM SHEET 1 OF 2)

[4] LOCATE ONE 1/2" THICK SPACER (QTY. 3 SUPPLIED) BEHIND EACH HOLE IN THE MOUNTING BRACKET AS SHOWN.

5. \* DIMENSIONS MAY VARY ±1/2" [12.7mm].

6. **UNIT MUST BE FILLED WITH WATER BEFORE CONNECTING TO POWER SOURCE.**

(FOR MODELS 7501T240 & 7501BL240:)

7. CORD SET SHALL BE LISTED TO UL 817 AND CSA-C22.2 NO. 21 AND PROVIDED WITH 3 WIRE GROUNDING TYPE ATTACHMENT PLUG RATED 240 V, MIN. 15 A.
8. THE FLEXIBLE CORD TYPE SHALL BE TYPE S, SE, SJ, SJE, SJO, SJOO, SJT, SJTO, SJTOO, SO, SOO, ST, STO, OR STOO AND HAVE A TYPE LETTER SUFFIX OF "W," "W-A" OR "OUTDOOR."
9. THE CORD SET SHALL BE MIN. 6 FT IN LENGTH AND MIN 18 AWG SIZE FOR FLEXIBLE POWER SUPPLY CORD.
10. LISTED STRAIN RELIEF BUSHING SUITABLE FOR CORD SET SIZE AND OUTDOOR USE SHALL BE USED.
11. THE FIELD INSTALLED POWER SUPPLY CORD SET NEEDS TO BE INSTALLED BY QUALIFIED PERSONNEL.

**MOUNTING DETAIL FOR:**

MODELS 7501T/7501TH/7501T240/7501T240H - WITH HEATED BLANKET (SHOWN)

MODEL 7501 (SEE SHEET 1 OF 2)

		1455 KLEPPE LANE SPARKS, NEVADA 89431 (775) 359-4712 FAX (775) 359-7424 E-MAIL: HAWS@HAWS.CO.COM WEBSITE: WWW.HAWS.CO.COM		
		ECN NO. 5086 DRAWN: MJ APPROVED: FV	REVISED PER: ECN: 5139 DATE: 06/30/16 DATE: 09/21/16	BY: CC CHK'D.: VWC
SCALE: 1:1		DRAWING TYPE: INSTALLATION		SIZE: A SHEET 2 OF 2