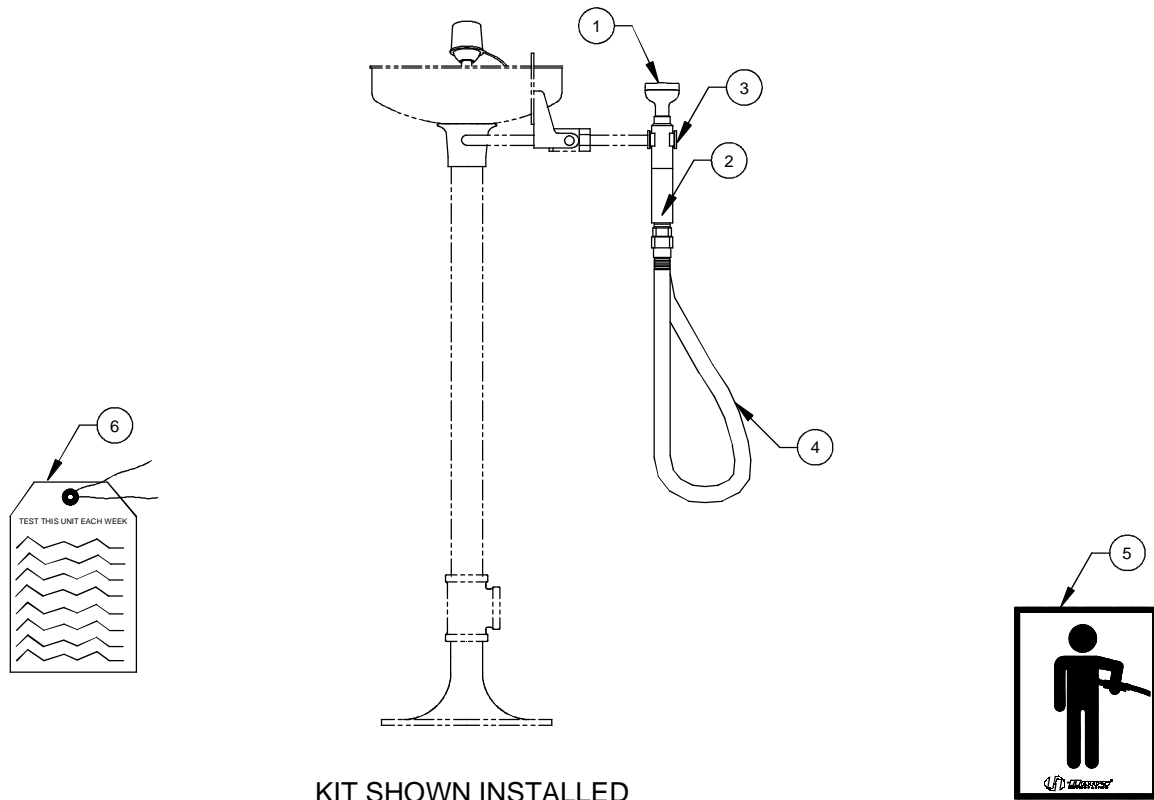


| ITEM | DESCRIPTION        | PART NO.   |
|------|--------------------|------------|
| 1    | EYE/FACE WASH HEAD | 0002974804 |
| 2    | FLOW CONTROL       |            |
| 3    | VALVE ASSEMBLY     | SP248      |
| 4    | HOSE ASSEMBLY      | SP140      |
| 5    | HOSE SPRAY SIGN    | SP176      |
| 6    | TEST TAG           | SP170      |
| -    | VALVE REPAIR KIT   | VRK SP248  |

# PARTS BREAKDOWN



KIT SHOWN INSTALLED  
WITH PEDESTAL EYEWASH UNIT

WHEN ORDERING PARTS PLEASE SPECIFY MODEL NUMBER.

|  |                   |   |   |
|--|-------------------|---|---|
|  <b>Haws</b> <sup>®</sup> |                   | 1455 KLEPPE LANE<br>SPARKS, NEVADA 89431<br>(775) 359-4712 FAX (775) 359-7424<br>E-MAIL: HAWS@HAWS.CO.COM<br>WEBSITE: WWW.HAWS.CO.COM |   |
|  |                   | ECN NO. REVISED PER BY<br>ECN: 4938 VWC   | MODEL(S)<br>8901 BODY SPRAY RETROFIT KIT                      |
| DRAWN CLF DATE 3/17/93<br>APPROVED FV DATE 01/08/15  | DATE CHKD<br>DATE | DRAWING NO. REV<br>11511C00 7   | SCALE: 1:6 DRAWING TYPE: PARTS BREAKDOWN SIZE: A SHEET 1 OF 1 |