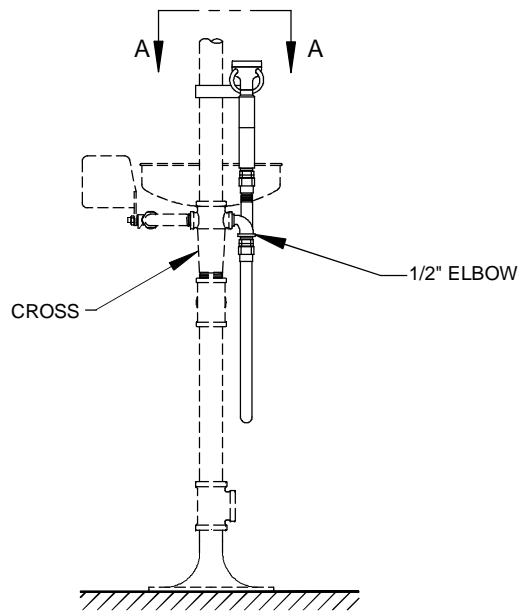
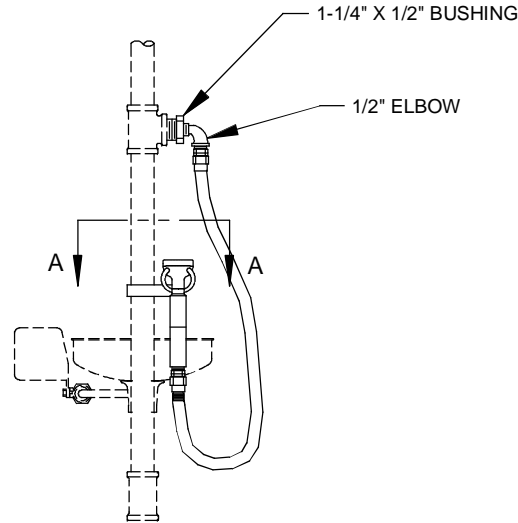


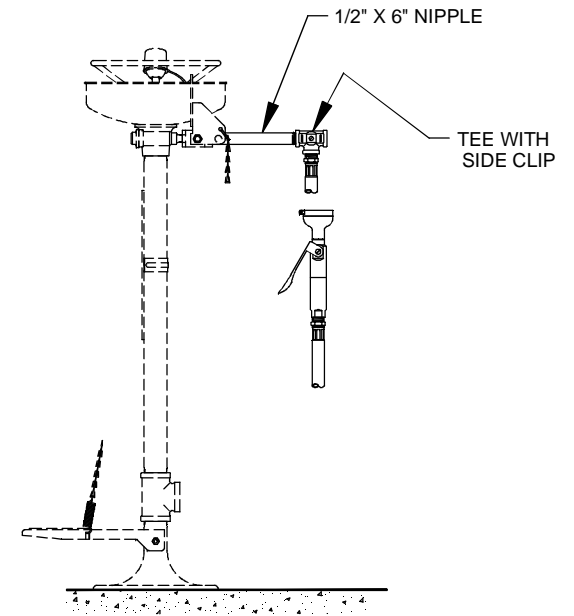
THIS DOCUMENT IS TRUE AND CORRECT AT TIME OF PUBLICATION. CONTINUED PRODUCT IMPROVEMENTS MAKE SPECIFICATIONS AND MEASUREMENTS SUBJECT TO CHANGE WITHOUT NOTICE.



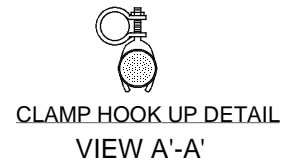
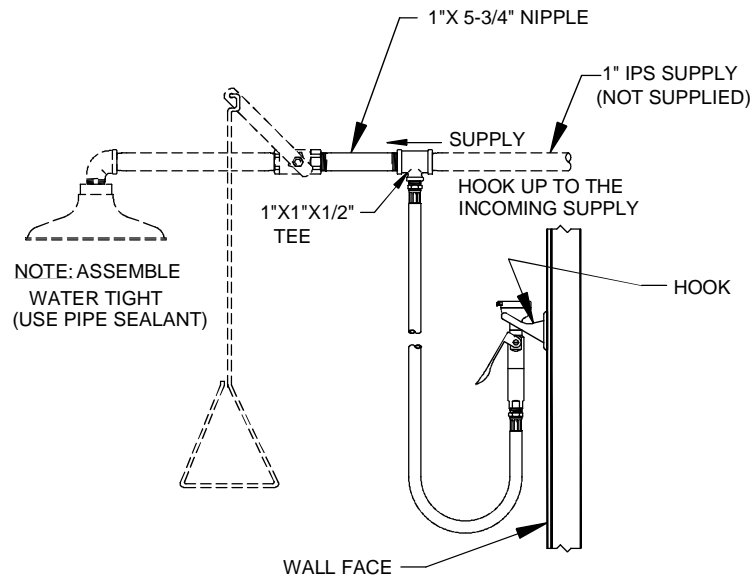
RETROFIT KIT EYE/FACE WASH INSTALLED WITH UNITS PROVIDED WITH A CROSS



RETROFIT KIT EYE/FACE WASH INSTALLED WITH UNITS NOT PROVIDED WITH A CROSS



RETROFIT KIT EYE/FACE WASH INSTALLED WITH PEDESTAL EYEWASH UNIT



NOTES:

1. IN ORDER TO COMPLY WITH STATE CODES, THE USE OF A VACUUM BREAKER IS REQUIRED WITH ALL HAND HELD EYE/FACE WASH AND BODY SPRAY UNITS (HAWS OFFERS MODEL SP212).

		1455 KLEPPE LANE SPARKS, NEVADA 89431 (775) 359-4712 FAX (775) 359-7424 E-MAIL: HAWS@HAWS.CO.COM WEBSITE: WWW.HAWS.CO.COM	
ECN NO. ECN-4938 DRAWN: CH APPROVED: FV	REVISED PER: VWC DATE: 07/09/11 DATE: 01/08/15	MODEL(S) 8901 BODY SPRAY RETROFIT KIT	PART NUMBER 0002080192.D DRAWING NO. 09555A00 REV 7
SCALE: 1:14		DRAWING TYPE: INSTALLATION	SIZE: A SHEET 1 OF 1