



# Haws®

# model 8122HWC

## AXION® MSR Barrier-Free Emergency Drench Shower

### FEATURES & BENEFITS

#### QUALITY CONTROL

Valve assembly is pre-built for reduced installation time and an added peace of mind for the installer.

#### VALVES

Valve is designed so the full flow of water remains on with the simple tug of the triangular pull rod. Unit also comes equipped with a stainless steel ball and stem to provide added protection against corrosion and breakage.

#### SHOWER HEAD

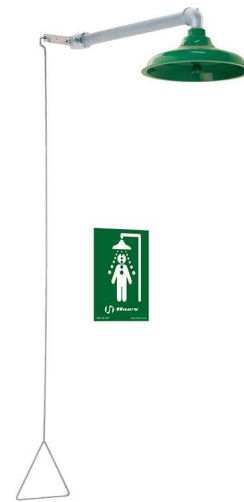
AXION® MSR ABS plastic drench showerhead uses a hydrodynamic design to give equal distribution of water throughout the entire footprint of flow.

#### SAFETY

8" x 10-3/4" (20.3 x 27.3 cm) universal emergency sign make the unit easily detected in an emergency. Test card to record weekly checks helps maintain the unit's best working quality.

#### PULL ROD

Barrier-free designed unit comes equipped with 56" (142.2 cm) long pull rod to accommodate wheel chair access.



### OPTIONS

- ❑ Test Tag: SP170 is a green waterproof test card with space for date and initials of inspector. Used to record weekly testing of emergency equipment.
- ❑ Emergency Body Spray Kit: Model 8901RFK, body spray unit with ABS plastic head, stay open squeeze lever valve, 8 foot (243.8 cm) hose, and installation kit.
- ❑ AXION® MSR Showerhead: Model SP829SS, AXION® MSR stainless steel drench showerhead with integral 20 gpm (75.7 L) flow control.
- ❑ Thermostatic Mixing Valve: Model 9201E AXION® Emergency Tempering Valve thermostatically mixes hot and cold water to provide a safe fluid supply for emergency showers and eyewash equipment, with a flow rate of 31 gpm (117.3 L).

For more information, visit [www.hawsc.com](http://www.hawsc.com) or call (888) 640-4297.

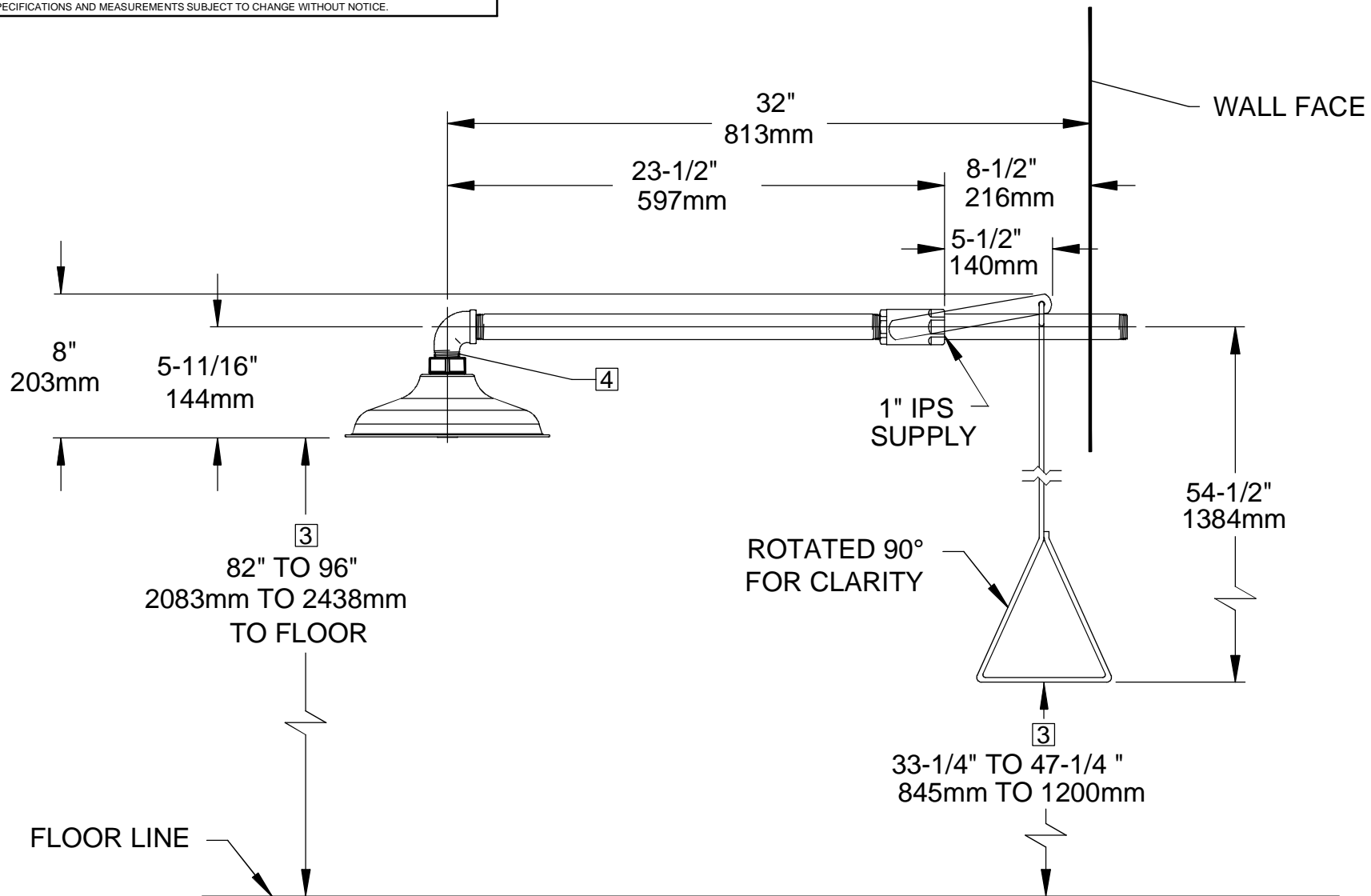
### SPECIFICATIONS

Model 8122HWC horizontally mounted barrier-free drench shower shall include the AXION® MSR hydrodynamic designed ABS plastic showerhead with self-regulating 20 gpm flow control, chrome-plated brass stay-open ball valve equipped with a stainless steel ball and stem, 56" (142.2 cm) stainless steel pull rod with triangular handle for wheelchair accessibility, universal sign, and 1" NPT supply.

### APPLICATIONS

Where the body of any person may be exposed to injurious or corrosive materials, suitable facilities for quick drenching and cleansing of the body shall be provided within the work area for immediate emergency use. Emergency deluge showers shall be in unobstructed and accessible locations that require no more than 10 seconds for the injured person to reach. Model 8122HWC is certified by CSA to meet the ANSI Z358.1 Standard for Emergency Eyewash and Shower Equipment.





NOTES:

1. DIMENSIONS MAY VARY BY ± 1/2 INCH [13mm].
2. TO COMPLY WITH ANSI Z358.1-2014 FOR EMERGENCY EYEWASH OR EYE/FACE WASH AND SHOWER EQUIPMENT:
  - UNIT SHALL BE INSTALLED IN ACCORDANCE WITH MANUFACTURER'S INSTRUCTIONS AND ACCEPTABLE PLUMBING PRACTICES.
  - SHOWER SHALL BE POSITIONED SO THAT SHOWER HEAD IS NOT LESS THAN 208.3 CM (82 IN.) NOR MORE THAN 243.8 CM (96 IN.) FROM SURFACE ON WHICH USER STANDS.
  - SHOWER SPRAY PATTERN SHALL HAVE A MINIMUM DIAMETER OF 50.8 CM (20 IN.) AT 152.4 CM (60 IN.) ABOVE SURFACE ON WHICH USER STANDS, AND CENTER OF SPRAY PATTERN SHALL BE LOCATED AT LEAST 40.6 CM (16 IN.) FROM ANY OBSTRUCTION.

3 THESE DIMENSIONS MUST BE MAINTAINED TO MEET WHEELCHAIR ACCESSIBILITY REQUIREMENTS AND STILL COMPLY WITH ANSI REQUIREMENTS STATED ABOVE.

4 DO NOT USE REGULAR PIPE SEALANT. IF NECESSARY USE DOW CORNING 832 SEALANT PLACING 5 SMALL BEADS ON THE MALE THREADS, JUST ABOVE THE FIRST THREAD.

		1455 KLEPPE LANE SPARKS, NEVADA 89431 (775) 359-4712 FAX (775) 359-7424 E-MAIL: HAWS@HAWS.CO.COM WEBSITE: WWW.HAWS.CO.COM	
		ECN NO. REVISED PER BY: MODEL(S) ECN: 5036 HM DRAWN: JF DATE: 04/01/96 CHKD: RVH APPROVED: FV DATE: 12/31/15	
PART NUMBER 0002080155.D		8122HWC BARRIER FREE SHOWER	
REVISION 14		SCALE: 1:1 DRAWING TYPE: INSTALLATION SIZE: A SHEET 1 OF 1	