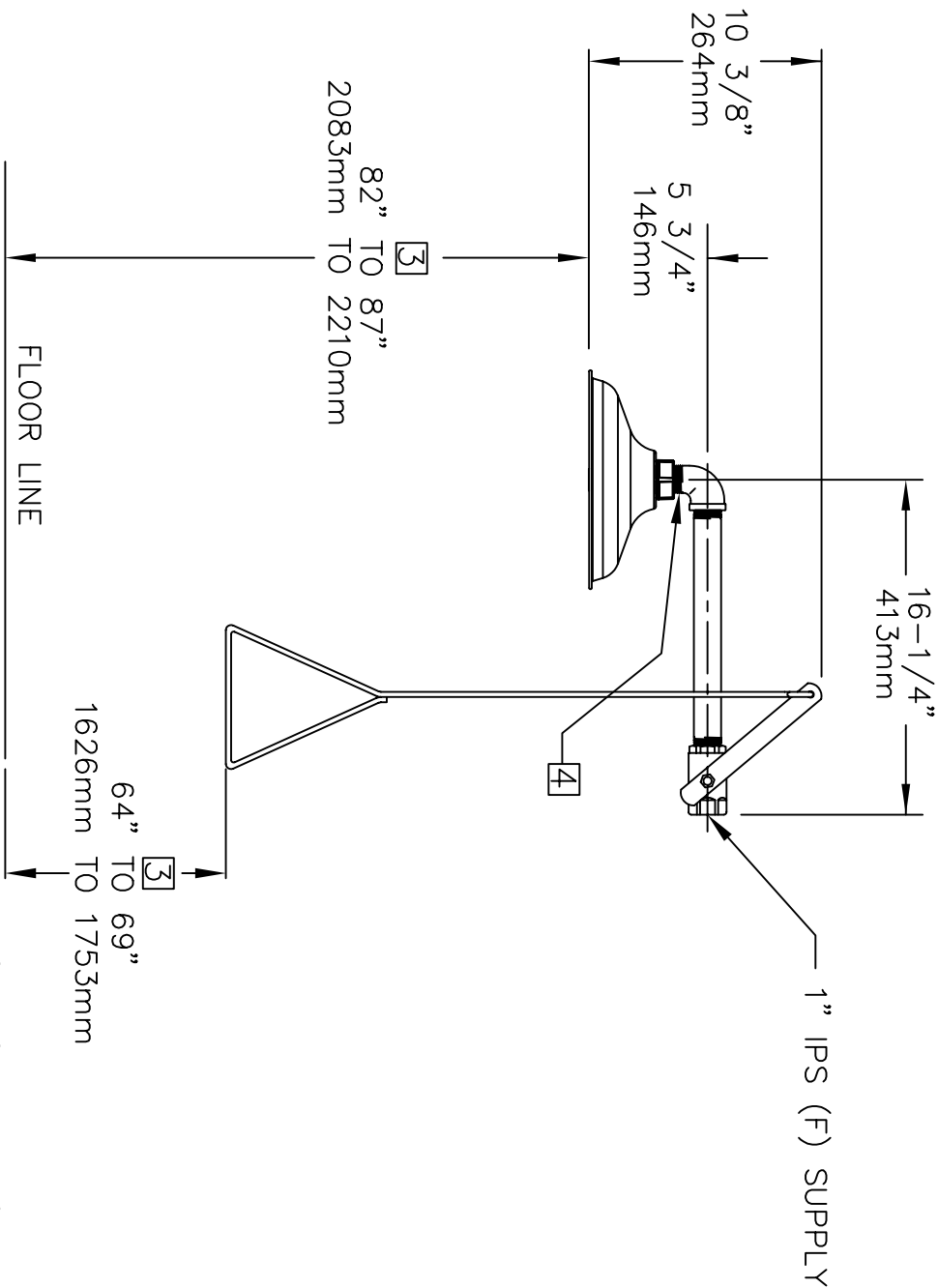


# HORIZONTAL SUPPLY (STANDARD)

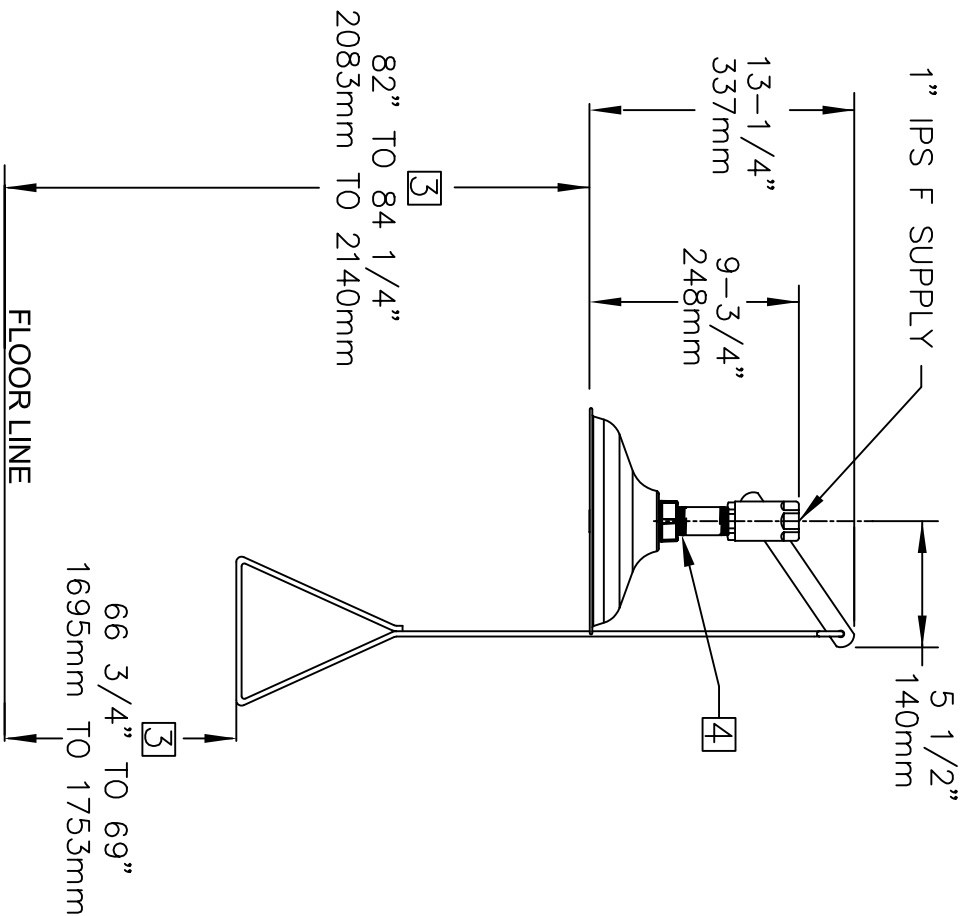


**SEE SHEET 2 OF 2 FOR  
CONVERSION TO VERTICAL  
SUPPLY CONFIGURATION**

**NOTES:**

1. DIMENSIONS MAY VARY BY ± 1/2 INCH [13mm].
2. TO COMPLY WITH ANSI Z358, 1-2009 FOR EMERGENCY EYEWASH OR EYEFACE WASH AND SHOWER EQUIPMENT:
  - UNIT SHALL BE INSTALLED IN ACCORDANCE WITH MANUFACTURER'S INSTRUCTIONS AND ACCEPTABLE PLUMBING PRACTICES.
  - SHOWER SHALL BE POSITIONED SO THAT SHOWER HEAD IS NOT LESS THAN 208.3 CM (82 IN.) NOR MORE THAN 243.8 CM (96 IN.) FROM SURFACE ON WHICH USER STANDS.
  - SHOWER SPRAY PATTERN SHALL HAVE A MINIMUM DIAMETER OF 50.8 CM (20 IN.) AT 152.4 CM (60 IN.) ABOVE SURFACE ON WHICH USER STANDS, AND CENTER OF SPRAY PATTERN SHALL BE LOCATED AT LEAST 40.6 CM (16 IN.) FROM ANY OBSTRUCTION.
3. FOLLOWING THESE DIMENSIONS WILL AUTOMATICALLY PROVIDE ADHERENCE TO ANSI REQUIREMENTS STATED ABOVE.
4. DO NOT USE REGULAR PIPE SEALANT. IF NECESSARY USE DOW CORNING 832 SEALANT PLACING 5 SMALL BEADS ON THE MALE THREADS, JUST ABOVE THE FIRST THREAD.

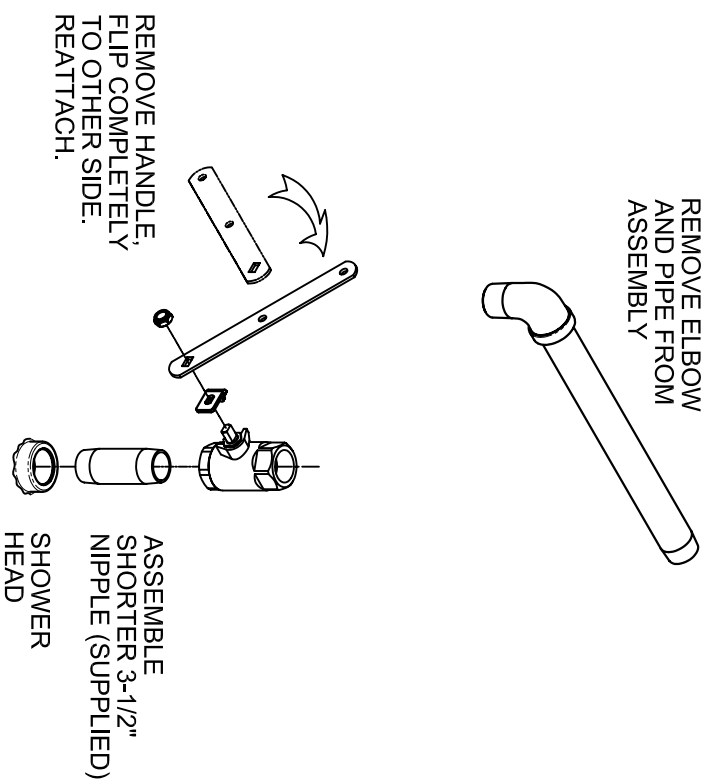
<b>Haws</b> corporation		1455 KLEPPE LANE SPARKS, NEVADA 89431 (775) 359-4712 FAX (775) 359-7424 E-MAIL: HAWS@HAWS.CO.COM WEBSITE: WWW.HAWS.CO.COM	
EQ. NO.:	TESTED FOR:	MODEL(S):	DATE OF TEST:
8122 DRENCH SHOWER	8122 DRENCH SHOWER	8122 DRENCH SHOWER	5/19/91
DATE:	DATE:	DATE:	DATE:
5/19/91	5/19/91	5/19/91	5/19/91
APPROVER:	APPROVER:	APPROVER:	APPROVER:
INFO FAX DOC #:	281224	INSTALLATION/FABRICATION:	
SIZE:	A	SHEET:	1 OF 2
DATE:	02/20/01	REV:	14
DATE:	09/16/00	REV:	14



NOTES:

1. DIMENSIONS MAY VARY BY ± 1/16 INCH (1.3mm).
2. TO COMPLY WITH ANSI Z358.1-2009 FOR EMERGENCY EYEWASH OR EYEFACE WASH AND SHOWER EQUIPMENT:
  - UNIT SHALL BE INSTALLED IN ACCORDANCE WITH MANUFACTURERS INSTRUCTIONS AND ACCEPTABLE PLUMBING PRACTICES.
  - SHOWER SHALL BE POSITIONED SO THAT SHOWER HEAD IS NOT LESS THAN 208.3 CM (82 IN.) NOR MORE THAN 243.8 CM (96 IN.) FROM SURFACE ON WHICH USER STANDS.
  - SHOWER SPRAY PATTERN SHALL HAVE A MINIMUM DIAMETER OF 50.8 CM (20 IN.) AT 152.4 CM (60 IN.) ABOVE SURFACE ON WHICH USER STANDS, AND CENTER OF SPRAY PATTERN SHALL BE LOCATED AT LEAST 40.6 CM (16 IN.) FROM ANY OBSTRUCTION.
3. FOLLOWING THESE DIMENSIONS WILL AUTOMATICALLY PROVIDE ADHERENCE TO ANSI REQUIREMENTS STATED ABOVE.
4. DO NOT USE REGULAR PIPE SEALANT. IF NECESSARY USE DOW CORNING 832 SEALANT PLACING 5 SMALL BEADS ON THE MALE THREADS, JUST ABOVE THE FIRST THREAD.

**FOR VERTICAL SUPPLY (RECONFIGURE AS SHOWN)**



<b>Haws Corporation</b>		1455 KLEPPE LANE	
SPARKS, NEVADA 89431		(775) 359-4712 FAX (775) 359-7424	
E-MAIL: HAWS@HAWS.CO.COM		WEBSITE: WWW.HAWS.CO.COM	
EQ# NO. 1	DESIGNED BY HR	MODEL(S):	8122 DRENCH SHOWER
DATE: 5/19/91	DATE: 5/19/91	INFO FAX DOC #:	281224
APPROVER:	DATE:	ISSUED BY:	INSTALLATION/PACK
DATE:	DATE:	DATE:	DATE:
00020801	14.D	00020801	14.D
09416A00	14	09416A00	14
SIZE: A	SHEET: 2	OF: 2	OF: 2