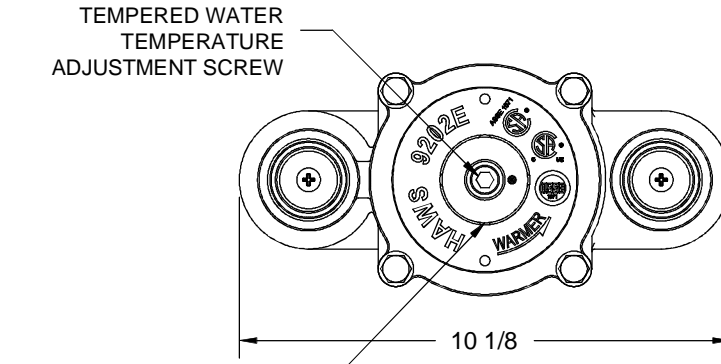


REAR VIEW



MAIN TEMPERING VALVE



1455 KLEPPE LANE
SPARKS, NEVADA 89431
(775) 359-4712 FAX (755) 359-7424
E-MAIL: HAWS@HAWSCO.COM
WEBSITE: WWW.HAWSCO.COM

ECN NO. 4304	REVISED PER ECN: 4887	BY: HM	MODEL(S)	PART NUMBER
DRAWN: VWC	DATE: 9/7/10	CHKD.:	9202E	0002080231.D
APPROVED:	DATE:			DRAWING NO. 16051A
			SCALE: 1:4	REV 5
			DRAWING TYPE: INSTALLATION	SHEET 1 OF 1