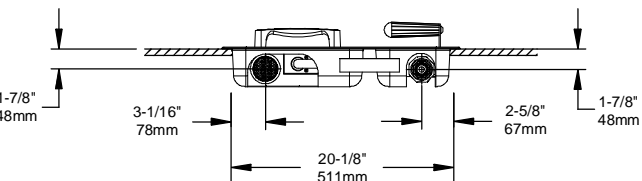
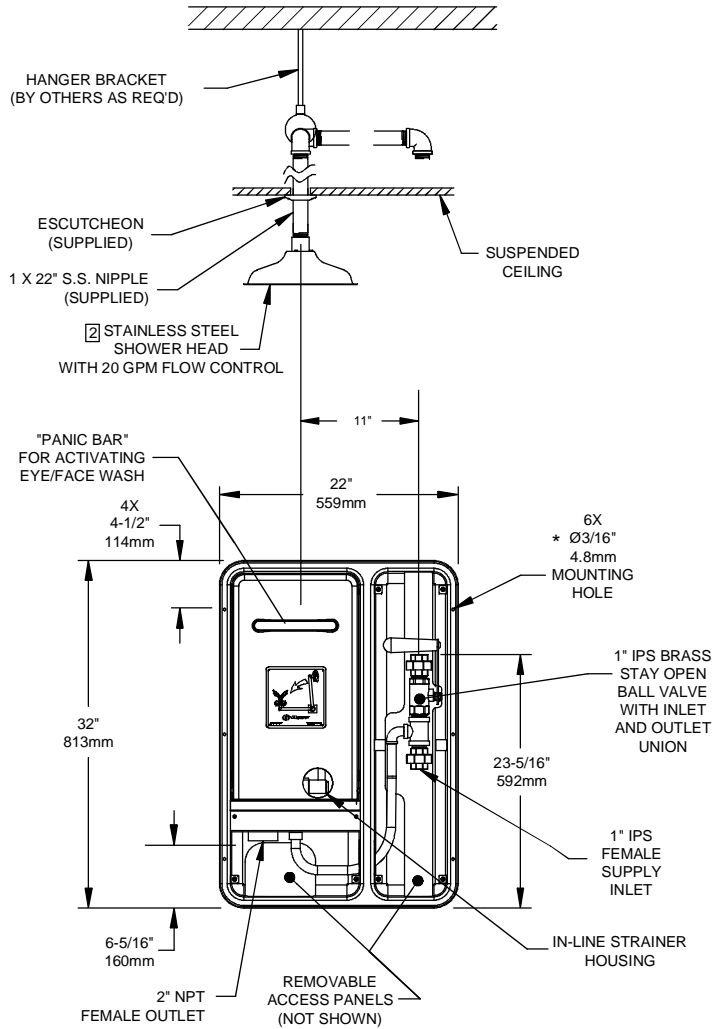
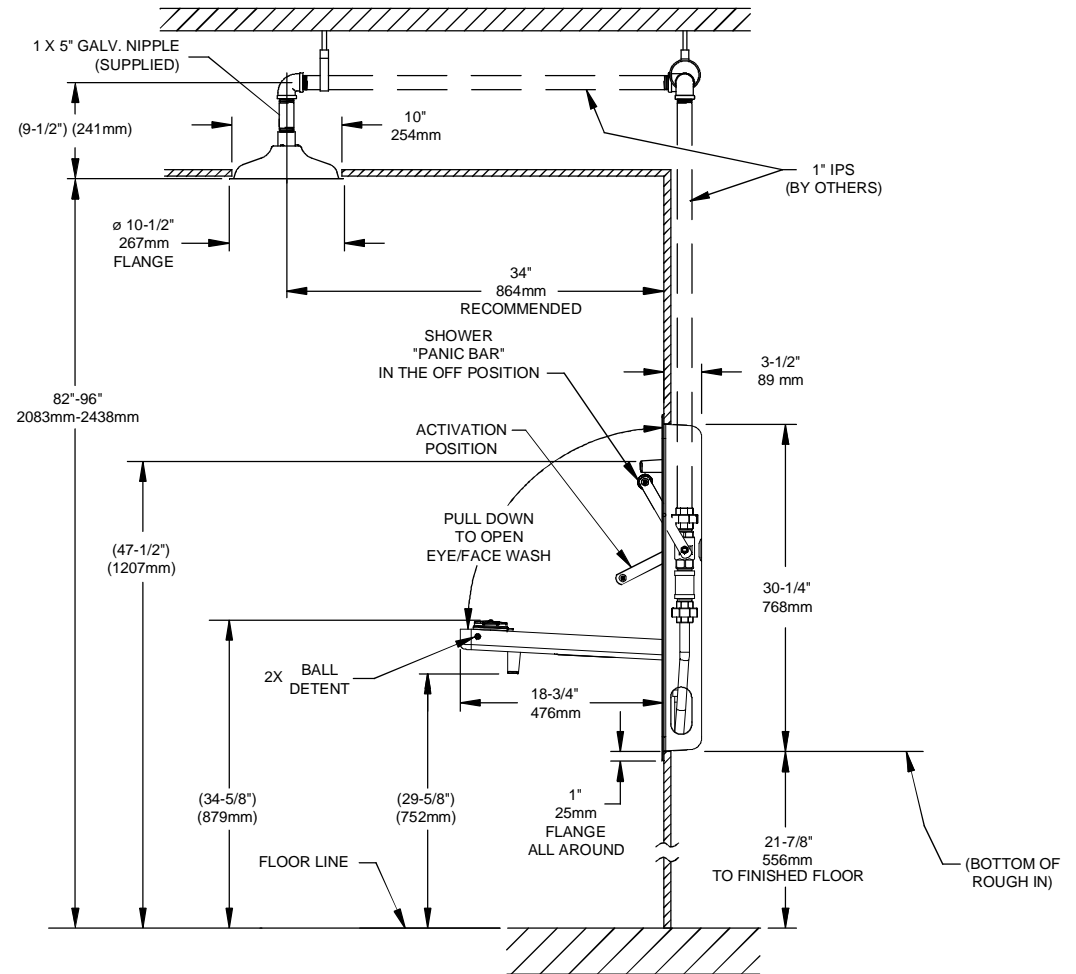


OPTIONAL SHOWER HEAD INSTALLATION



NOTES:

1. WHEN INSTALLING THIS UNIT, LOCAL, STATE OR FEDERAL CODES SHOULD BE ADHERED TO. WASTE CONNECTION MUST ADHERE TO LOCAL HEALTH AND PLUMBING CODES.
2. SHOWER HEAD MUST BE POSITIONED IN-LINE WITH EYE/FACEWASH HEAD TO ALLOW FOR SIMULTANEOUS USE BY THE SAME USER PER ANSI STANDARD Z358.1.
3. FLOW RATE FOR EYE/FACE WASH IS 3.7 GPM AND EXCEEDS ANSI STANDARD Z358.1.
4. DIMENSIONS MAY VARY BY ± 1/2" [12.7mm].
- * 5. MOUNTING HARDWARE NOT SUPPLIED.



1455 KLEPPE LANE
 SPARKS, NEVADA 89431
 (775) 359-4712 FAX (775) 359-7424
 E-MAIL: HAWS@HAWSCO.COM
 WEBSITE: WWW.HAWSCO.COM

ECN NO. 4290	REVISED PER: ECN: 5080	BY: HM	MODEL(S)	PART NUMBER
DRAWN: IR	DATE: 8/4/10	CHKD: RVH	8356WCC	0002080176.D
APPROVED: FV	DATE: 06/09/16		PULLDOWN SHOWER EYE/FACE WASH	REVISION
		SCALE: 1:1	DRAWING TYPE: INSTALLATION	6
				SHEET 1 OF 1