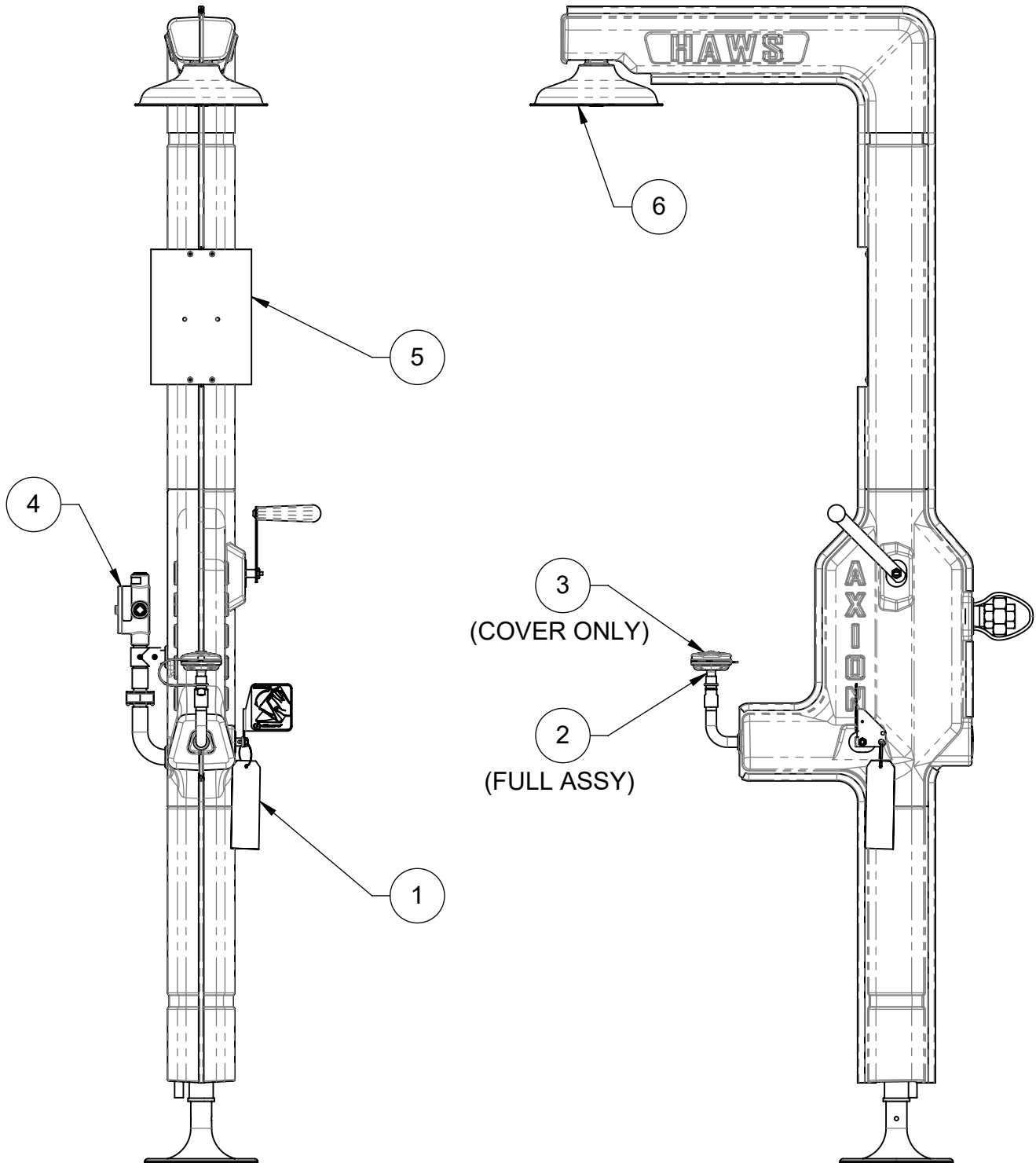



THIS DOCUMENT IS TRUE AND CORRECT AT TIME OF PUBLICATION. CONTINUED PRODUCT IMPROVEMENTS MAKE SPECIFICATIONS AND MEASUREMENTS SUBJECT TO CHANGE WITHOUT NOTICE.

ITEM	DESCRIPTION	PART NO.
1	TEST TAG	SP170
2	EYE/FACE WASH ASSY (COVER INCLUDED)	SP65CTFP
3	EYE/FACE WASH COVER	9091
4	THERMOSTAT	SP156
5	SHOWER/EYEWASH SIGN	0510001012
6	SHOWER HEAD	SP829



			1455 KLEPPE LANE SPARKS, NEVADA 89431 (775) 359-4712 FAX (775) 359-7424 E-MAIL: HAWS@HAWS.CO.COM WEBSITE: WWW.HAWS.CO.COM	
			ECN: 5566 REV. ECN: 5577 BY: JL DRAWN: JL DATE: 07/23/20 CHKD: DP APPROVED: FV DATE: 11/11/20	MODEL(S) 8315CTFP & 8315CTFP 220V - CABLE-TRACE COMBINATION SHOWER
WHEN ORDERING PARTS, PLEASE SPECIFY PART NUMBER			SCALE: 1:12   DRAWING TYPE: PARTS BREAKDOWN   SIZE: A   SHEET 1 OF 1	