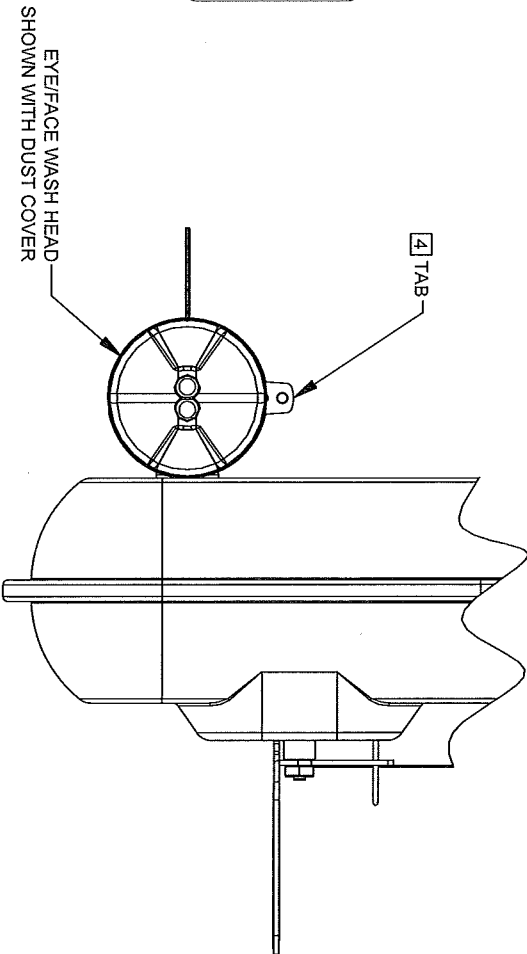
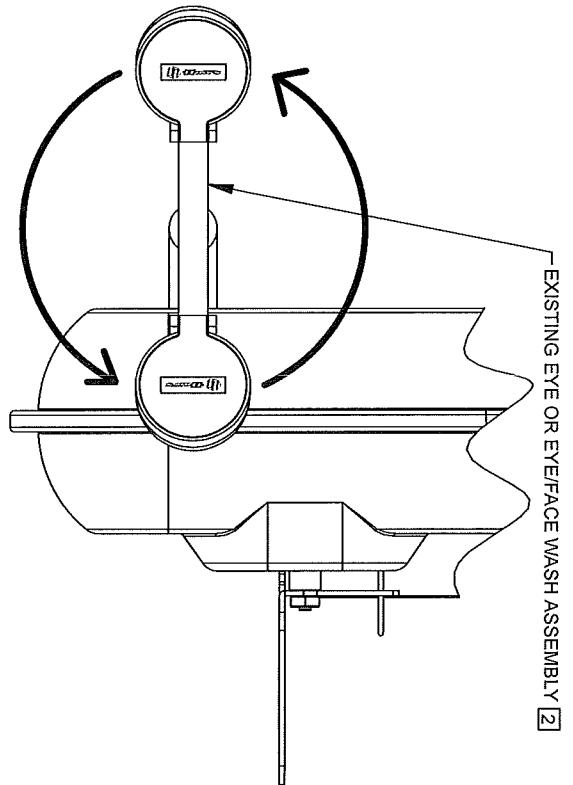
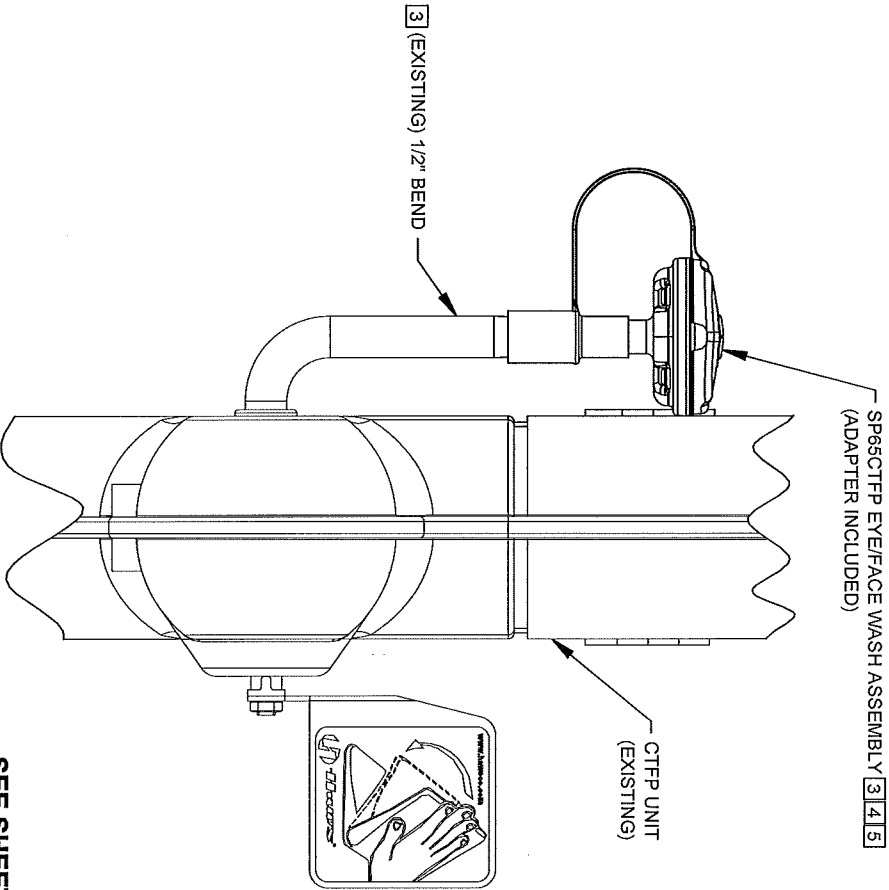


### INSTALLATION/ RETRO FIT STEPS

1. SP65CTFP IS FOR USE ON MODELS 8317CTFP, 8317CTFP.220V AND 8317CTFPC1D1.
2. REMOVE EXISTING EYEWASH BY SPINNING EYEWASH TEE COUNTERCLOCKWISE. DO NOT REMOVE 1/2" BEND.
3. THREAD SP65CTFP ADAPTER ONTO 1/2" BEND. PLACE DUST COVER LOOP OVER SP65CTFP ADAPTER.
4. THREAD EYEFACE WASH HEAD ONTO ADAPTER. ORIENT TAB TOWARDS THE BACK (AWAY FROM USER). DO NOT OVER-TIGHTEN.
5. PLACE DUST COVER ONTO EYEFACE WASH HEAD.



### TOP VIEWS

SEE SHEET 2 OF 2  
FOR FLOW CONTROL  
CLEANING STEPS

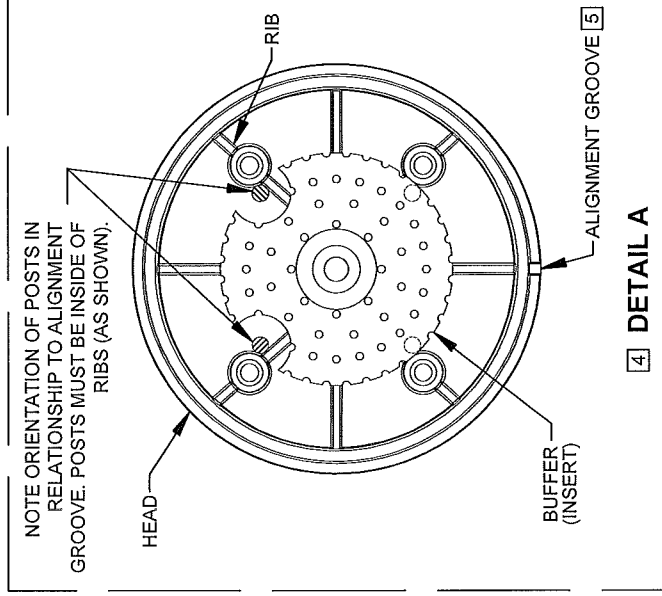
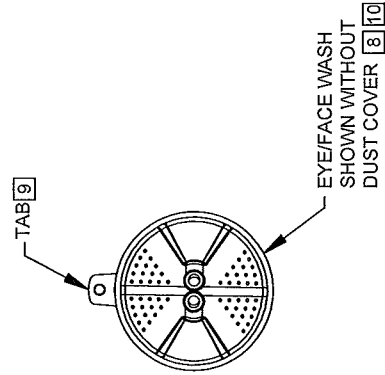
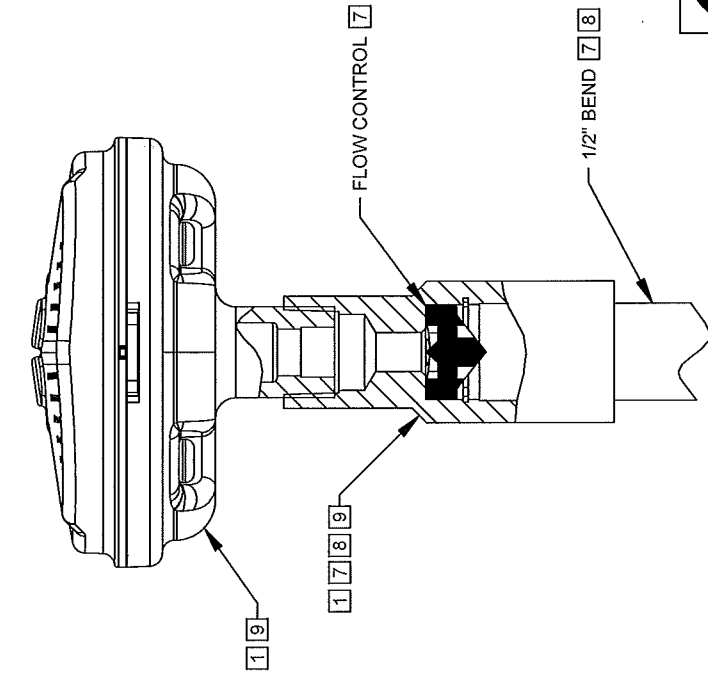
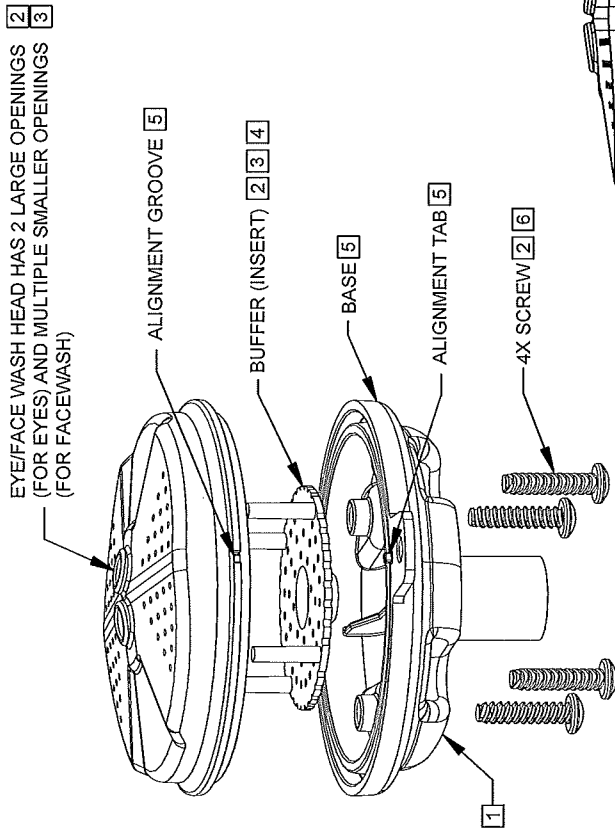


1458 KLEPPE LANE  
SPARKS, NEVADA, 89431  
(775) 369-4712 FAX (775) 369-7424  
E-MAIL: HAWS@HAWS.CO.COM  
WEBSITE: WWW.HAWS.CO.COM

ECN NO. REVISED PER BY:	MODEL(S)	PART NUMBER
4480 LEV.4838 HM	SP65CTFP	0002080264
DRAWN: DATE: CHECKED:	AXION EYEFACE WASH	DRAWING NO. REV
ROBERTS 8/15/10	INSTALLATION	16061A00 2
APPROVED: DATE:	SCALE: 1/8"	SHEET 1 OF 2

## AXION HEAD & FLOW CONTROL CLEANING STEPS:

- 1 UNSCREW EYE/FACE WASH ASSEMBLY FROM ADAPTER.
- 2 REMOVE SCREWS (QTY. 4) FROM SP65CTFP EYE/FACE WASH ASSEMBLY. REMOVE EYE/FACE WASH HEAD AND BUFFER (INSERT).
- 3 CHECK FOR ANY DEBRIS, SEDIMENT OR MINERAL DEPOSITS BLOCKING ORIFICES ON HEAD OR BUFFER AND THOROUGHLY REMOVE ALL OBSTRUCTIONS.
- 4 INSERT BUFFER (INSERT) INTO EYE/FACE WASH HEAD NOTING ORIENTATION OF POST IN RELATIONSHIP TO ALIGNMENT GROOVE AS SHOWN ON DETAIL A.
- 5 REASSEMBLE EYE/FACE WASH HEAD, MAKING SURE THAT ALIGNMENT GROOVE ON EYE/FACE WASH HEAD LINES UP WITH ALIGNMENT TAB ON BASE.
- 6 REINSTALL SCREWS (QTY. 4) INTO THE EYE/FACE WASH ASSEMBLY. TIGHTEN SNUG TO ENSURE A WATERTIGHT SEAL. DO NOT OVER-TIGHTEN. TORQUE SPEC: 4 IN. LBS MAX.
- 7 UNSCREW ADAPTER FROM 1/2" BEND TO GAIN ACCESS TO FLOW CONTROL FROM EITHER END OF ADAPTER TO REMOVE ANY DEBRIS LODGED IN ORIFICES.
- 8 REASSEMBLE ADAPTER ONTO 1/2" BEND. PLACE DUST COVER LOOP (NOT SHOWN) OVER ADAPTER.
- 9 REASSEMBLE SP65CTFP EYE/FACE WASH ASSEMBLY ONTO ADAPTER. ORIENT TAB TOWARDS THE BACK (AWAY FROM USER). DO NOT OVER-TIGHTEN.
- 10 PLACE DUST COVER (NOT SHOWN) ONTO EYE/FACE WASH.



SEE SHEET 1 OF 2  
FOR INSTALLATION/  
RETROFIT STEPS



1455 KLEPPE LANE  
SPARKS, NEVADA 89431  
(775) 389-4712 FAX (755) 359-7424  
E-MAIL: HAWS@HAWS.CO.COM  
WEBSITE: WWW.HAWS.CO.COM

ECN NO. REVISED PER BY: HM	DATE: CHD	DATE: CHD
4798	10/27/13	10/27/13
DRAWN: H. MERRITT	CHZ2/13	5/2/13
APPROVED:		

MODEL(S)  
SP65CTFP AXION EYE/FACE WASH

PART NUMBER  
0002080264

DRAWING NO. REV  
16067A00 2

SCALE: 1:18 INSTALLATION: SIZE: A SHEET 2 OF 2