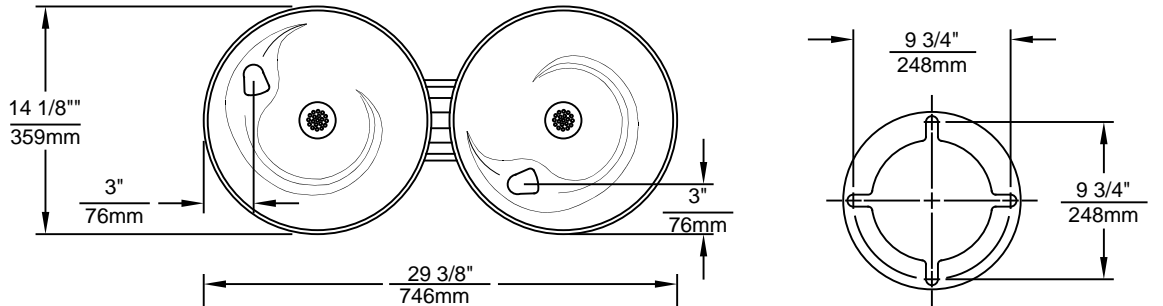
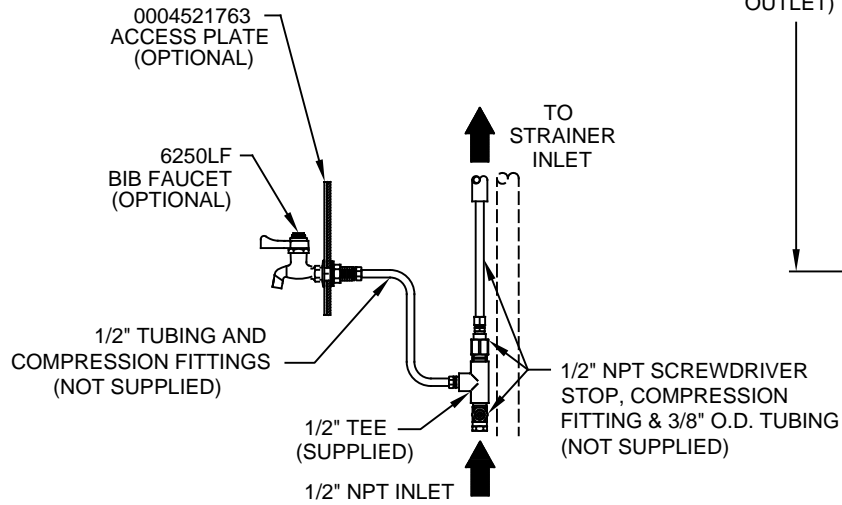
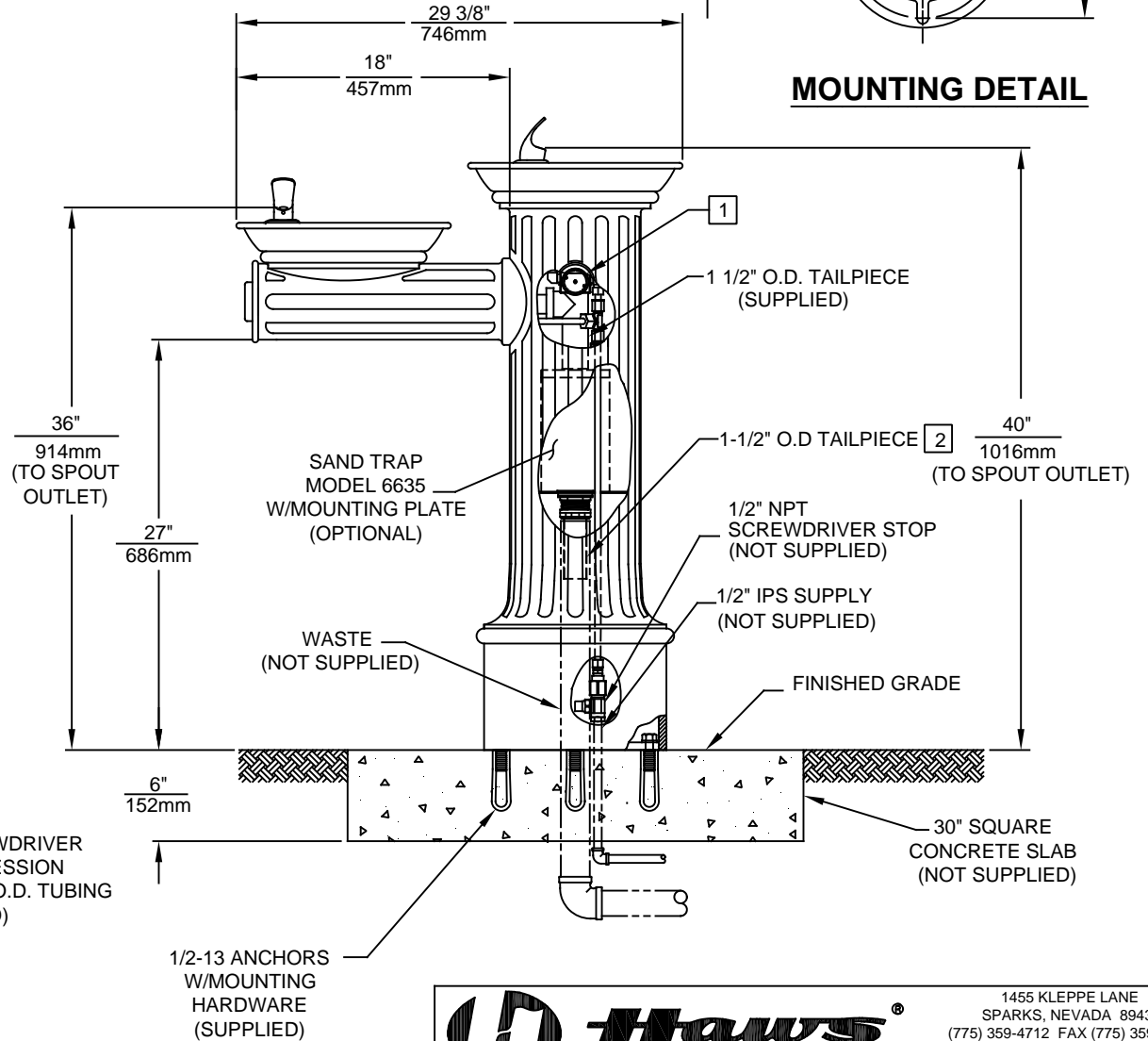


NOTES:

1. REFER TO 5874 SERIES OPERATION AND MAINTENANCE MANUAL FOR PUSH BUTTON AND VALVE INSTALLATION/MAINTENANCE INSTRUCTIONS.
2. OPTIONAL SAND TRAP MODEL 6635 W/ MOUNTING PLATE AND 1-1/2" O.D. TAILPIECE. SEE MODEL 6635 FOR ADDITIONAL INSTALLATION INSTRUCTIONS.



MOUNTING DETAIL



BIB FAUCET DETAIL

1455 KLEPPE LANE
SPARKS, NEVADA 89431
(775) 359-4712 FAX (775) 359-7424
E-MAIL: HAWS@HAWSCO.COM
WEBSITE: WWW.HAWSCO.COM

ECN NO.	REVISED PER	BY:	MODEL(S)		PART NUMBER
	ECN: 5438	FV			0002074001.D
DRAWN:	DATE:	CHKD.:		3511	REVISION
P.M.	05-30-00	DP			18
APPROVED:	DATE:		SCALE: 1:8	DRAWING TYPE: INSTALLATION	SHEET 1 OF 1
IR	12/09/19				