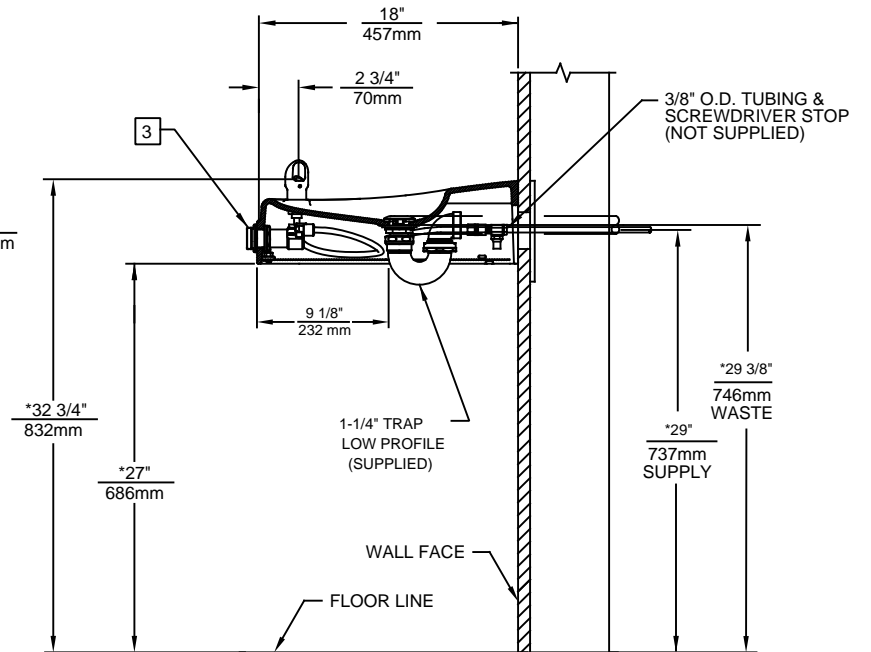
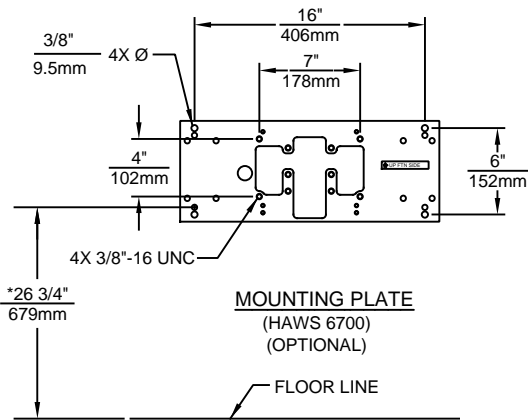
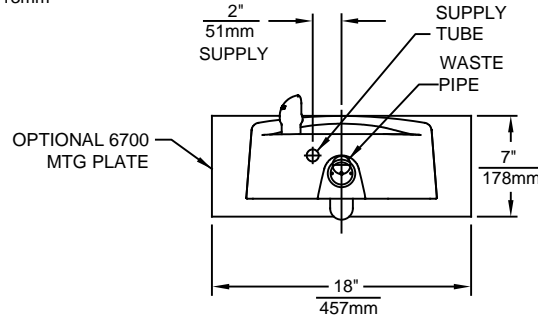
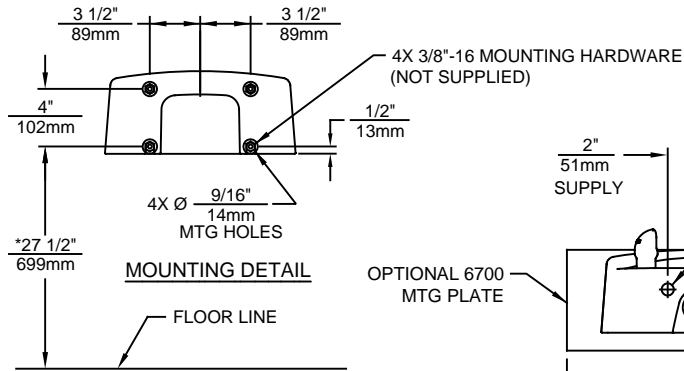
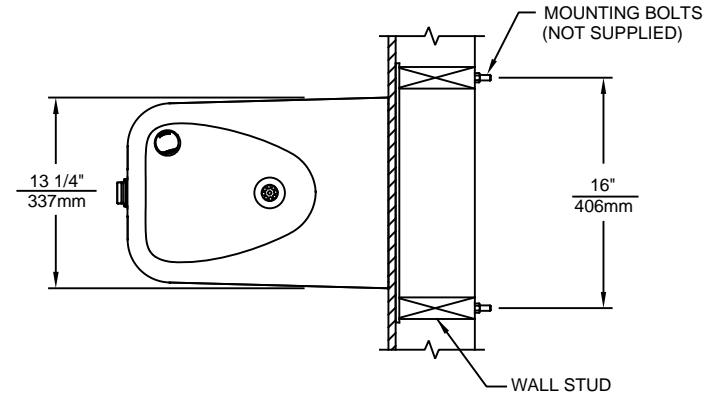


1. HOLD ROUGH-IN DIMENSIONS $\pm 1/4"$ (6.4MM).
2. WHEN INSTALLING THIS UNIT, LOCAL, STATE, OR FEDERAL CODES SHOULD BE ADHERED TO. FOR INSTALLATION HEIGHTS OTHER THAN SHOWN, DIMENSIONS MARKED (*) MUST BE ADJUSTED ACCORDINGLY.
- 3 REFER TO 5874 SERIES VALVE OPERATION AND MAINTENANCE MANUAL FOR PUSH BUTTON AND VALVE INSTALLATION/MAINTENANCE INSTRUCTIONS.



1455 KLEPPE LANE
 SPARKS, NEVADA 89431
 (775) 359-4712 FAX (775) 359-7424
 E-MAIL: HAWS@HAWSCO.COM
 WEBSITE: WWW.HAWSCO.COM

ECN NO. 5010	REVISED PER ECN: 5258	BY: JP	MODEL(S)	PART NUMBER
DRAWN: HM	DATE: 08/25/15	CHKD.: GC	1311	051000046.D
APPROVED: FV	DATE: 11/23/17		SCALE: 1:14	REVISION 4
			DRAWING TYPE: INSTALLATION	SIZE: A SHEET 1 OF 1