

**CORE SERIES** (EN)

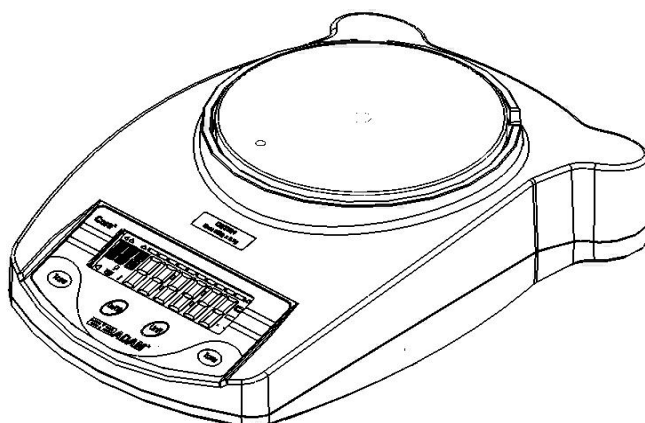
**SERIES CORE** (FR)

**CORE SERIE** (DE)

**SERIE CORE** (ES)

**SERIE CORE** (IT)

(P.N. 308669539, Revision B6, Mar2017)



<b>ENGLISH:</b>	<b>P1 - 17</b>
<b>FRANÇAIS:</b>	<b>P18 - 37</b>
<b>DEUTSCH:</b>	<b>P38 - 58</b>
<b>ESPAÑOL:</b>	<b>P59 - 74</b>
<b>ITALIANO:</b>	<b>P75 - 92</b>
<b>EU DECLARATION:</b>	<b>P93</b>

**Easy Reference:**

Model name of the balance:	
Serial number of the unit:	
Software revision number (Displayed when power is first turned on):	
Date of Purchase:	
Name of the supplier and place:	

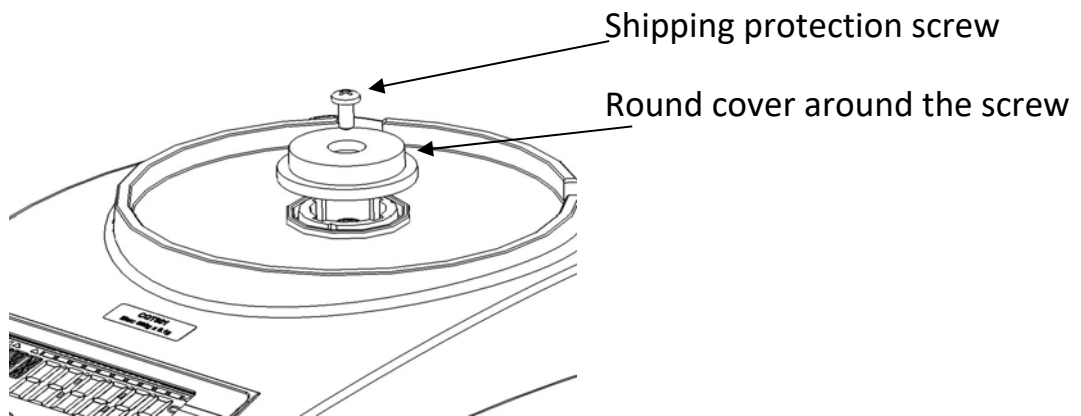
# CONTENTS

1.0	CONTENTS .....	2
2.0	SET UP .....	3
2.1	UNPACKING AND SETTING UP YOUR BALANCE .....	3
2.2	INSTALLING BATTERIES .....	4
2.3	OVERVIEW - DISPLAY / KEY BOARD .....	4
2.4	LOCATING AND PROTECTING YOUR BALANCE .....	6
2.5	STORING WHEN NOT IN USE .....	7
3.0	BASIC OPERATION .....	8
3.1	TURNING ON THE BALANCE .....	8
3.2	ZEROING / TARE .....	8
3.3	WEIGHING .....	9
3.4	WEIGHING UNITS .....	9
4.0	PARAMETERS .....	10
4.1	AUTO POWER OFF .....	10
4.2	SETTING THE BACKLIGHT .....	11
4.3	ENABLING THE WEIGHING UNITS .....	11
5.0	CALIBRATION .....	13
6.0	TROUBLE SHOOTING .....	14
6.1	ERROR MESSAGES .....	14
6.2	REPLACEMENT PARTS AND ACCESSORIES .....	15
7.0	SPECIFICATIONS .....	16
8.0	WARRANTY STATEMENT .....	17

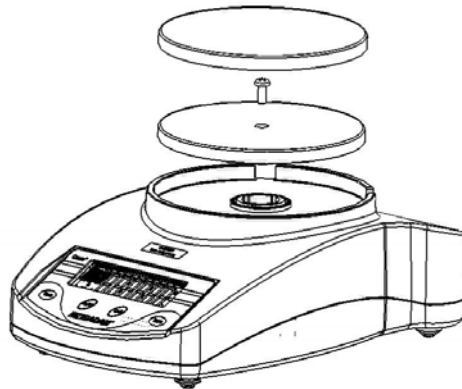
## 2.0 SET UP

### 2.1 UNPACKING AND SETTING UP YOUR BALANCE

- 1) Remove the shipping protection screw and round cover as shown below using the Allen key supplied in the plastic bag. (It is advisable to keep the shipping protection screw and the round cover along with the packing box for using during shipping to another location in future).



- 2) Place the pan (which comes separately packed) in the receptacles on the top cover.



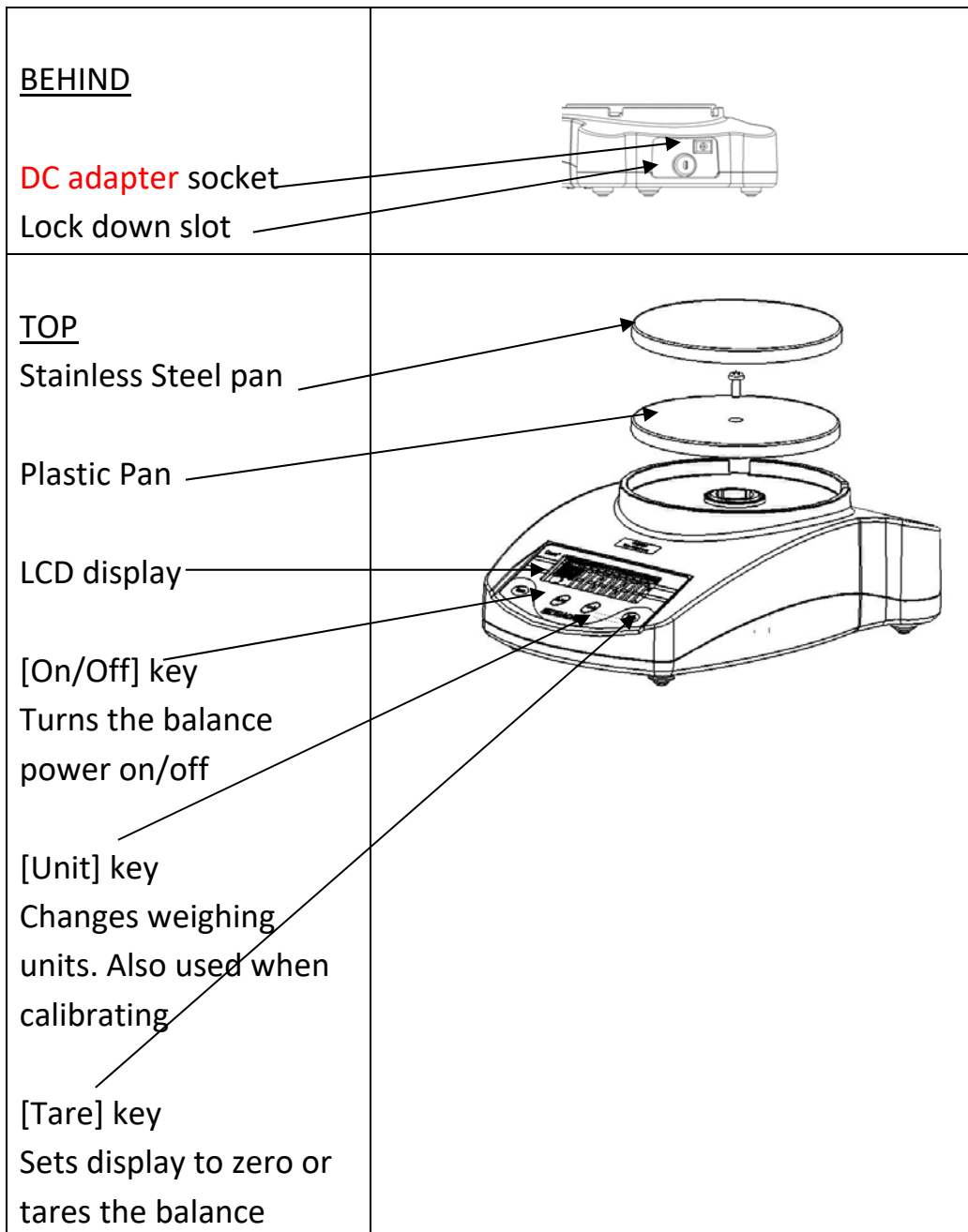
Gently place the plastic pan support into the receptacle and secure with the screw supplied in the plastic bag. Be careful when putting the screw in that you do not use too much force as it can damaged the loadcell. You should just be able to use light force to secure the screw.

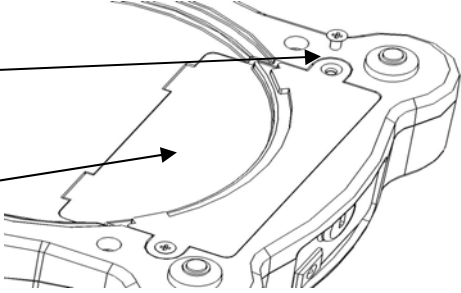

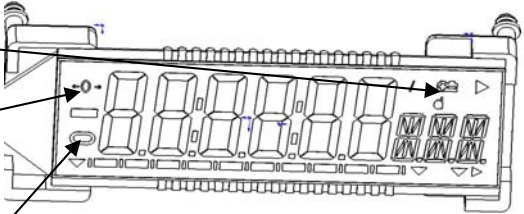
- 3) Place the stainless steel pan on top of the plastic pan.
- 4) Place the balance on a firm and flat surface for accurate weighing.

## 2.2 INSTALLING BATTERIES

Remove the battery compartment cover and insert six batteries (R6P/LR6 /AA size) into the battery compartment.

## 2.3 OVERVIEW - DISPLAY / KEY BOARD



<p><u>BOTTOM</u></p> <p>Battery compartment screws</p> <p>Battery compartment cover</p> <p>Batteries are not included</p>	
<p><u>DISPLAY</u></p> <p> battery indicator</p> <p>ZERO indicator Indicates when the balance zero is correct.</p> <p>STABLE indicator Indicates when the reading is stable.</p>	

## 2.4 LOCATING AND PROTECTING YOUR BALANCE

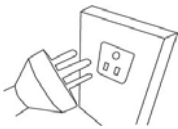
In order to keep your balance functioning at its best we suggest that you do the following:



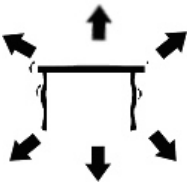
Avoid extremes of temperature. Do not place in direct sunlight or near air conditioning vents.



Make sure the balance is located on a strong table and free from vibration.



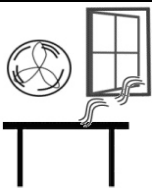
Avoid unstable power sources. Do not operate near large users of electricity such as welding equipment or large motors. Do not leave batteries in the balance if you are not using it for a long time.



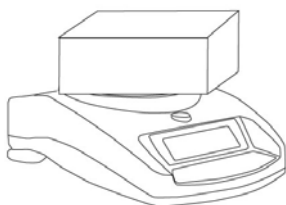
Keep free from vibration. Do not place near heavy or vibrating machinery.



Avoid high humidity that might cause condensation, and keep away from direct contact with water.



Do not place near open windows, air-conditioning vents or fans that may cause a draft and unstable readings.

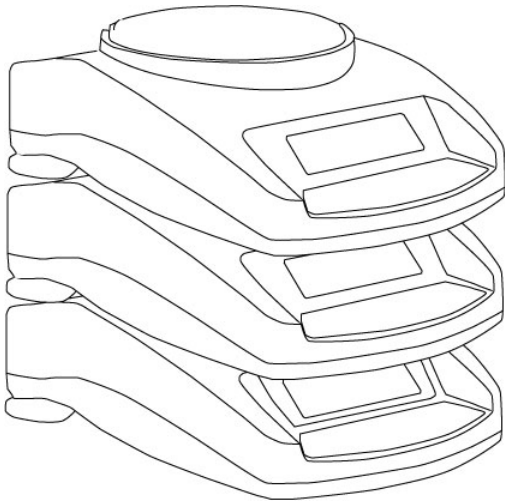


Keep the balances clean, and do not stack material on the balance when it is not in use. The Core has a stacking feature allowing more than one unit to be stacked on top of each other. For more details on this see the section on storing.

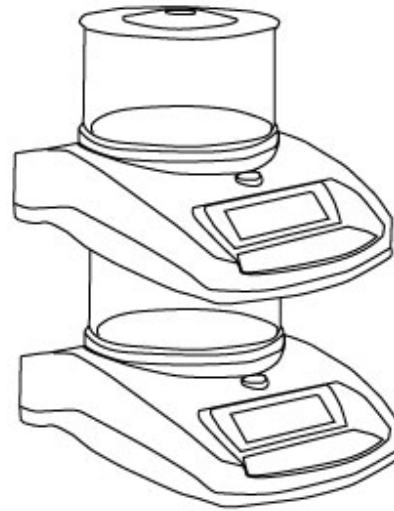


## 2.5 STORING WHEN NOT IN USE

If you have any of the Highland™ series or Core Balance™ lines you can store them easily on top of each other. This helps to save space and protect them from damage.



*Without Shield*



*With Shield*

**Note:** Only 4.7" / 120mm  $\varnothing$  pan size models can be stacked for storage. Core models with 5.7" / 145mm  $\varnothing$  may be stacked at the top of the pile but machines cannot be stacked on top of them due to the larger pan size.

## 3.0 BASIC OPERATION

### 3.1 TURNING ON THE BALANCE

Plug in the unit using the **DC adapter** or power from the batteries.

- 1) Press the On/Off button and the balance will automatically show **Cgt-1.0 Cgt** then count from 0 to 9 for a few seconds, and show the voltage **X.X Vol** where x.x is the voltage of the battery or the **DC adapter**. Finally it will display "0.00" along with the last selected weighing unit, Stable symbol, and Zero symbol.
- 2) The balance is ready to be used.
- 3) To turn the balance off after use press the **[on/off]** key again. There is an auto power-off function that will automatically turn the unit off, this can be set in the parameters section.

### 3.2 ZEROING / TARE

You can press the **[Tare]** key to set a new zero point. Zero will be set if the reading on the balance is less than 3% of the balance's capacity. This may be necessary if the weight is not reading zero with nothing on the pan. The zero indicator will show up in the top left corner of the LCD.

If you are using a container to weigh then you can place this on the platform and press the **[Tare]** key, providing the container weight is more than 3% of the maximum capacity of the balance, the display will show zero and **NET** will light up on the display. You can then weigh your object in the container. Tared weight is subtracted from the total balance's capacity.



**Note:** When the container is removed a negative value will be shown. If the balance was tared just before removing the container, this value is the gross weight of the container plus all items inside the container which were removed.

### **3.3 WEIGHING**

To determine the weight of a sample, first tare an empty container (if used), then place the sample in the container. The display will show the weight and the unit of weight currently in use. The stable indicator will light up when the reading is stable.

### **3.4 WEIGHING UNITS**

To change the weighing units, press **[Unit]** to cycle through the available units. See the Parameter section to enable or disable the weighing units. Once the unit has been selected, the weight will be displayed in the selected unit and a symbol for the weight will be shown.

## 4.0 PARAMETERS

The balance has 3 parameters that can be set by the user.

FUNCTION	SECTION	DESCRIPTION
Auto Off	See section 5.1	Sets the auto power off function
Backlight	See section 5.2	Sets the backlight <b>OFF BL</b> backlight is off <b>1 BL</b> backlight is automatic <b>2 BL</b> backlight is always on
Weighing unit	See section 5.3	Sets the units to be used kg – g – lb – oz – ct – dr – GN – N-tl.t

### 4.1 AUTO POWER OFF

The auto power off function helps conserve power when using the batteries or **DC adapter**. The Auto switch-off time may be set up by the user and is the time after a period of inactivity i.e. no weight movement or key presses.

- 1) To set this parameter turn the power off, press and hold the **[Tare]** key then press the **[on/off]** key once, then release the **[Tare]** key.
- 2) The display will show the first function XX **PWR**, where XX is the last setting.
- 3) Press **[Tare]** to select the settings as follows:

<b>Off PWR</b>	Auto power off
<b>10 PWR</b>	10 seconds before the power will switch off
<b>20 PWR</b>	20 seconds before the power will switch off
<b>30 PWR</b>	30 seconds before the power will switch off
<b>40 PWR</b>	40 seconds before the power will switch off
<b>50 PWR</b>	50 seconds before the power will switch off
<b>60 PWR</b>	60 seconds before the power will switch off
<b>70 PWR</b>	70 seconds before the power will switch off
<b>80 PWR</b>	80 seconds before the power will switch off
<b>90 PWR</b>	90 seconds before the power will switch off

- 4) Press the **[Unit]** key to confirm the setting
- 5) To exit turn the balance off and back on again

## 4.2 SETTING THE BACKLIGHT

The backlight may be enabled or disabled by the user. If the backlight is disabled, the battery life will be greater.

The following settings are available:

<b>1 BL</b>	Sets the backlight to operate automatically when a weight is placed on the balance or a key is pressed.
<b>2 BL</b>	Sets the backlight to be on all the time.
<b>OFF BL</b>	Sets the backlight to be off.

- 1) To set this parameter turn the power off, press and hold the **[Tare]** key then press the **[on/off]** key once, then release the **[Tare]** key.
- 2) The display will show the first function **PWR**
- 3) Press the **[Unit]** key until the display shows **XX BL** where XX is the last setting
- 4) Press **[Tare]** key to select the settings as follows **1 BL - 2 BL – OFF BL**
- 5) Press the **[Unit]** key to confirm the setting
- 6) To exit turn the balance off and back on again

## 4.3 ENABLING THE WEIGHING UNITS

You can enable and disable the weighing units available to the user when they press the **[Unit]** key as described in section 4.4 *Weighing Units*.

- 1) To set this parameter turn the power off, press and hold the **[Tare]** key then press the **[on/off]** key once, then release the **[Tare]** key.
- 2) The display will show the first function **PWR**
- 3) Press the **[Unit]** key until the display shows you **XX g** where XX is the last setting on or off.
- 4) Press the **[Tare]** key to select **on** or **off**.
- 5) Press the **[Unit]** key to move to the next weighing unit.
- 6) Repeat steps 5 and 6 until you have set all of the weighing units.

7) To exit turn the balance off and back on again

The following table shows the different weighing units which are available to the user and the conversion factors for each.

<b>Name of the Units</b>	<b>Description</b>	<b>Conversion Factor</b>	<b>Display Symbol</b>
Kilograms	A standard metric unit	0.001	Kg
Grams	A standard metric unit	1.0	G
Pounds	Standard weighing unit in UK/USA.	0.002205	Lb
Ounce	Avoirdupois ounce. 16 ounces make a pound.	0.03528	OZ
Carat	Used for weighing jewelry and gems, etc.	5.0	ct
Dram	Avoirdupois unit there are 16 DR in an ounce.	0.564383	DR
Grains	A basic weighing unit in the imperial system. Used to weigh gun powder.	15.432	GN
Newtons	Used to measure force	0.009808	N
Taiwanese taels	Used to weigh coral, pearls etc.	0.026666	TL.t

## 5.0 CALIBRATION

Calibration may be required when the balance is initially installed or moved to a new location. Over time and use, mechanical deviations may occur so it is recommended that you calibrate your balance regularly for peak performance.

Before calibrating you should make sure you have the correct weights. The weights should be known to an accuracy that is appropriate for the balance being calibrated, for example, OIML Class M1 type or ASTM E617 Class 4. If you do not have the correct weights do not attempt calibration.


Model	CQT 202	CQT 251	CQT 601	CQT 1501	CQT 2601	CQT 2000	CQT 5000
Calibration Weight	100g Or 200g	100g Or 200g	200g Or 400g Or 600g	500g Or 1000g Or 1500g	1000g Or 2000g	1000g Or 2000g	1000g Or 3000g or 5000g

- 1) To calibrate the balance apply power and switch the balance on, whilst the display is cycling through it's test routine press the **[Tare]** and **[Unit]** keys at the same time, then release after 1 second .
- 2) The display will show **UnLOAD** remove any objects from the pan.
- 3) Press the **[Tare]** key to enter a zero value.
- 4) The value last used for calibration will be displayed (see above table). To select a different calibration weight, press the **[Unit]** key.
- 5) Once you have selected the calibration weight to be used press the **[Tare]** key.
- 6) **LOAD** will be displayed, place the calibration weight on the pan.
- 7) Once the stable sign is shown press the **[Tare]** key.
- 8) If the weight is within 5% of the last calibration value the display will show **PASS** and exit the calibration mode. If the calibration is not successful the display will show **FAIL** and exit the calibration mode, if the calibration fails try it again.

## 6.0 TROUBLE SHOOTING

### 6.1 ERROR MESSAGES

If an error message is shown, repeat the step that caused the message. If the error message is still shown then contact your dealer for support.

ERROR CODE	DESCRIPTION	POSSIBLE CAUSES	Solutions
<b>ADO</b>	A/D Value too high.	Weight on the pan when turning on. Improper calibration of the balance. Damaged load cell. Damaged Electronics.	Remove any weight from the stainless steel pan. Recalibrate.
<b>ADL</b>	A/D Value too low.	Pan is not installed when turning on. Calibration not correct. Damaged load cell.	Install pan and power back on. Recalibrate.
<b>-----</b>	A/D count is not correct when turning the balance on.	Load cell damaged. Electronics damaged.	Remove any weight from the stainless steel pan and try rebooting. Try calibrating the balance.
<b>Unit-E</b>	Unit error.		
	Low battery indicator.	Batteries may be flat.	Charge the battery.
<b>FAIL</b>	Calibration failure.	Incorrect mass used to calibrate. The user calibration is not within 5% of factory calibration. Possible damaged to loadcell.	Try to recalibrate, check that the weight used to calibrate matches that of the value of the balance.
	Unstable – machine cannot get a stable reading.	Possible damage to the Loadcell.	Make sure the balance is on a flat surface and away from vibration.
	No Power when turning on.	Battery may be flat. <b>DC adapter</b> may not be working.	Change the batteries. Or use the <b>DC adapter</b>



## 6.2 REPLACEMENT PARTS AND ACCESSORIES

If you need to order any spare parts and accessories, contact your supplier or Adam Equipment. A partial list of the more common items follows:

Part Number	Description
7.00.4.0.0023	POWER SUPPLY STANDARD MODEL 12VDC 500mA - UK
7.00.4.0.0024	POWER SUPPLY STANDARD MODEL 12VDC 500mA - USA
7.00.4.0.0025	POWER SUPPLY STANDARD MODEL 12VDC 500mA - OZ
7.00.4.0.0026	POWER SUPPLY STANDARD MODEL 12VDC 500mA - EURO
7.00.4.0.0027	POWER SUPPLY STANDARD MODEL 12VDC 800mA - SA
3.08.1.2.2009	TOP PAN 120mm
3.08.1.2.2011	TOP PAN 145mm
3.08.2.3.2031	BREEZE SHIELD WITH LID
3.08.2.3.2033	IN USE COVER
7.00.1.0.0046	SECURITY LOCK AND CABLE

## 7.0 SPECIFICATIONS

Model #	CQT-202	CQT- 251	CQT-601	CQT-1501	CQT-2601	CQT-2000	CQT-5000
Maximum Capacity	200g	250g	600g	1500g	2600g	2000g	5000g
Readability	0.01g	0.1g	0.1g	0.1g	0.1g	1g	1g
Resolution	1:20000	1:2500	1:6000	1:15000	1:26000	1:2000	1:5000
Repeatability (Std Dev)	0.02g	0.1g	0.1g	0.2g	0.2g	1g	1g
Linearity ±	0.02g	0.1g	0.1g	0.2g	0.2g	1g	1g
Units of Measure	kg / g / lb / oz / ct / dr / GN / N/tl.t						
Stabilisation Time	3 seconds	2 seconds		3 seconds		2 seconds	
Operating Temperature	0°C to 40°C 32°F to 104°F						
Power Supply	12VDC adapter 800mA South Africa, 500mA rest of world), or 6x AA batteries						
Calibration	Push button calibration using external mass						
Calibration Mass	200g	250g	600g	1500g	2000g	2000g	5000g
Display	6 digit LCD, 18mm digits, with backlight						
Draft shield (diameter x h)	132mm ø x 82mm (5.2" ø x 3.2")				N/A		
Balance Housing	ABS Plastic						
Pan Size	120mm ø (4.7" ø)				145mm ø (5.7" ø)		
Overall Dimensions (w x d x h)	173 x 255 x 86mm (6.8" x 10" x 3.4") Without draft shield						
Net Weight	820g (1.8lb)						

## 8.0 WARRANTY STATEMENT

Adam Equipment offers Limited Warranty (Parts and Labour) for any components that fail due to defects in materials or workmanship. Warranty starts from the date of delivery.

During the warranty period, should any repairs be necessary, the purchaser must inform its supplier or Adam Equipment Company. The company or its authorised Technician reserves the right to repair or replace the components at any of its workshops at no additional cost, depending on the severity of the problems. However, any freight involved in sending the faulty units or parts to the Service Centre should be borne by the purchaser.

The warranty will cease to operate if the equipment is not returned in the original packaging and with correct documentation for a claim to be processed. All claims are at the sole discretion of Adam Equipment.

This warranty does not cover equipment where defects or poor performance is due to misuse, accidental damage, exposure to radioactive or corrosive materials, negligence, faulty installation, unauthorised modifications or attempted repair, or failure to observe the requirements and recommendations as given in this User Manual.

This product may include a rechargeable battery that is designed to be removed and replaced by the user. Adam Equipment warrants that it will provide a replacement battery if the battery manifests a defect in materials or workmanship during the initial period of use of the product in which the battery is installed.

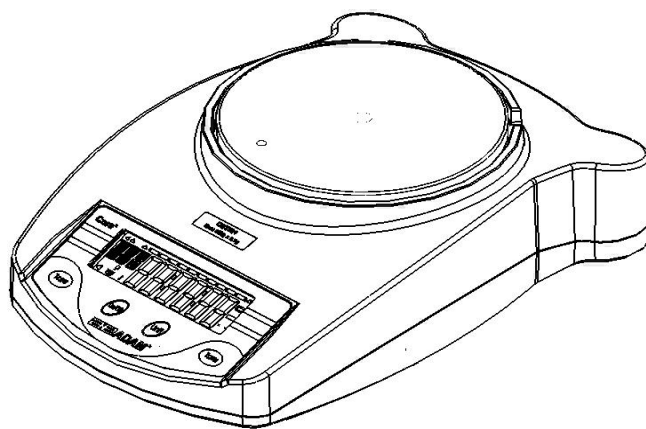
As with all batteries, the maximum capacity of any battery included in the product will decrease with time or use, and battery cycle life will vary depending on product model, configuration, features, use, and power management settings. A decrease in maximum battery capacity or battery cycle life is not a defect in materials or workmanship, and is not covered by this Limited Warranty.

Repairs carried out under the warranty do not extend the warranty period. Components removed during warranty repairs become company property.

The statutory rights of the purchaser are not affected by this warranty. The terms of this warranty is governed by the UK law. For complete details on Warranty Information, see the terms and conditions of sale available on our web-site.

## SERIES CORE

(P.N. 9539, Révision B5, Mars 2017)



**Référence simple:**

Nom du modèle de la balance:	
Numéro de série de l'unité:	
Numéro de révision du logiciel (Affiche lors de la mise en marche):	
Date d'achat:	
Nom du fournisseur et lieu:	

## 1.0 TABLE DES MATIERES

1.0	TABLE DES MATIERES .....	20
2.0	INTRODUCTION .....	21
3.0	INSTALLATION .....	22
3.1	DEBALLAGE ET INSTALLATION DE VOTRE BALANCE.....	22
3.2	INSTALLATION DES PILES .....	23
3.3	DESCRIPTION -ECRAN / CLAVIER.....	23
3.4	POSITIONNER ET PROTEGER VOTRE BALANCE.....	25
3.5	RANGER LES BALANCES LORSQU'ELLES NE SONT PAS UTILISEES.....	25
4.0	FONCTIONNEMENT DE BASE .....	27
4.1	MISE EN MARCHÉ DE LA BALANCE.....	27
4.2	REMISE A ZERO / TARE .....	27
4.3	PESAGE .....	28
4.4	UNITES PESAGE.....	28
5.0	PARAMETERES.....	29
5.1	AUTO EXTINCTION.....	29
5.2	REGLAGE DU RETRO ECLAIRAGE.....	30
5.3	ACTIVATION DES UNITES DE PESAGE .....	30
6.0	CALIBRAGE .....	32
7.0	GUIDE DE DEPANNAGE.....	33
7.1	MESSAGES D'ERREUR.....	33
7.2	REPLACEMENT DES PIECES DETACHEES ET ACCESSOIRES .....	34
8.0	CARACTERISTIQUES .....	35
9.0	CERTIFICAT DE CALIBRAGE.....	36
10.0	INFORMATION SUR LA GARANTIE.....	37

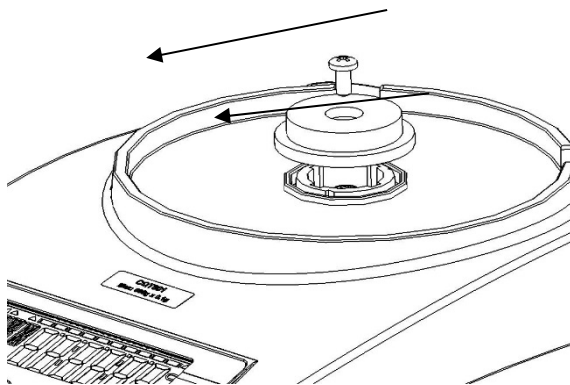
## 2.0 INTRODUCTION

Nous vous remercions pour l'achat de votre nouvelle balance Core™. Toutes les séries de balances Core possèdent une étendue de fonctions et d'options les rendant idéales pour le laboratoire et les classes. Nous espérons que vous profiterez de l'utilisation de votre nouvelle balance Core.

## 3.0 INSTALLATION

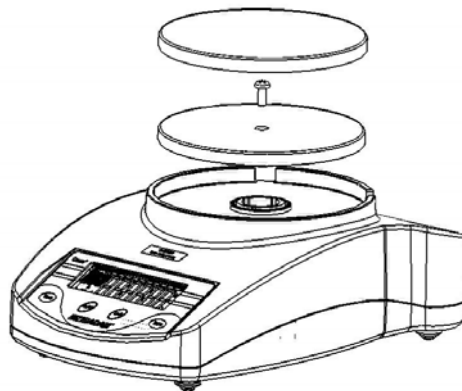
### 3.1 DEBALLAGE ET INSTALLATION DE VOTRE BALANCE

- 5) Retirez la vis de protection d'expédition et le capuchon comme illustré ci-dessous en utilisant la clé Allen fournie avec l'emballage. (il est recommandé de garder la vis de protection d'expédition et le capuchon avec l'emballage lors de tout déplacement vers un nouvel endroit).



Vis de protection d'expédition  
Capuchon autour de la vis

- 6) Placez le plateau (emballé séparément) dans les réceptacles sur le dessus de la balance.



Utilisez la vis que vous avez retirée pour visser le plateau en plastique en place. Faites attention lorsque vous vissez de ne pas appuyer trop fort si ce qui pourrait endommager le capteur. Vous devez seulement serrer légèrement la vis.

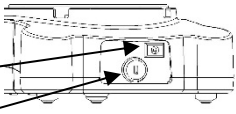
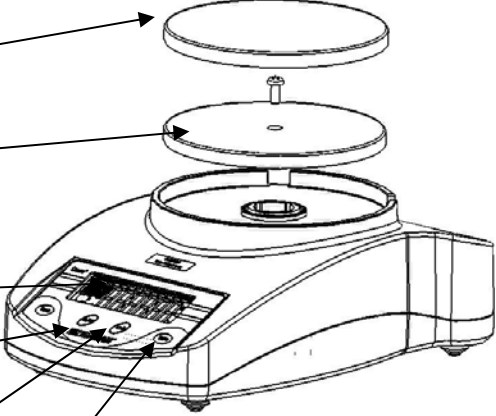
- 7) Placez le plateau en acier inoxydable sur le plateau en plastique.
- 8) Placez la balance sur une surface plate et stable afin d'obtenir un pesage précis.

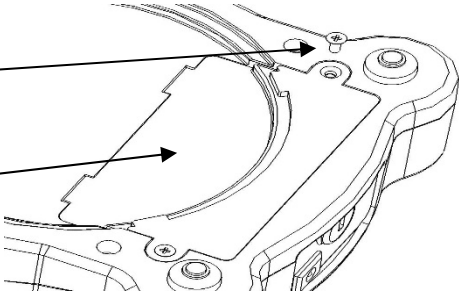

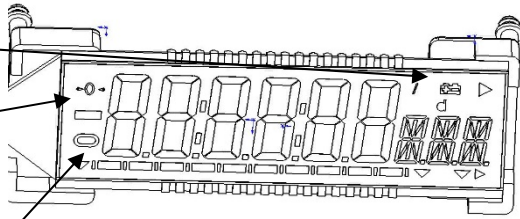


### 3.2 INSTALLATION DES PILES

Retirez le couvercle du compartiment des piles et insérez les six piles (R6P/LR6 /AA size) dans le compartiment à piles.

### 3.3 DESCRIPTION -ECRAN / CLAVIER

<p><u>ARRIERE</u></p> <p>Prise <b>adaptateur DC</b></p> <p>Connexion anti-vol</p>	
<p><u>DESSUS</u></p> <p>Plateau inox</p> <p>Plateau plastique</p> <p>Ecran LCD</p> <p>Touche [On/Off] Mise marche de la balance on/off</p> <p>Touche [Unit] Change les unités de pesage. Utilisé également lors du calibrage</p> <p>Touche [Tare] Règle l'écran zéro ou tare la balance</p>	

<p><u>DESSOUS</u></p> <p>Vis du compartiment des piles</p> <p>Couvercle du compartiment des piles</p> <p>Les piles ne sont pas incluses</p>	
<p><u>ECRAN</u></p> <p> Indicateur batterie</p> <p>Indicateur ZERO Indique quand le zéro de la balance est juste.</p> <p>Indicateur STABLE Indique quand la lecture est stable.</p>	

### 3.4 POSITIONNER ET PROTEGER VOTRE BALANCE

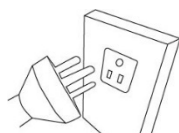
De façon à toujours faire fonctionner votre balance de manière optimale nous suggérons que vous suiviez ces quelques recommandations :



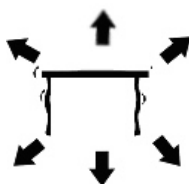
Evitez les températures extrêmes. Ne pas la placer sous les rayons directs du soleil ou proche d'un ventilateur ou climatiseur.



Soyez sûr que la balance soit localisée sur une table stable et sans vibration.



Evitez des sources d'alimentations instables. Ne pas fonctionner près de gros utilisateurs d'électricités tels que les postes à souder ou gros moteurs. Ne pas laisser les piles dans la balance si vous ne les utilisez pas pendant une longue période.



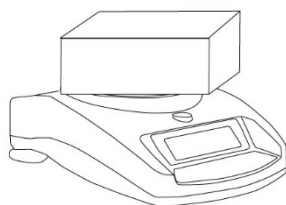
Gardez-les à distances des vibrations. Ne pas les placer près de machines vibrantes ou industrielles.



Eviter les zones très humides qui pourraient causer de la condensation, et gardez loin de tout contact avec l'eau.



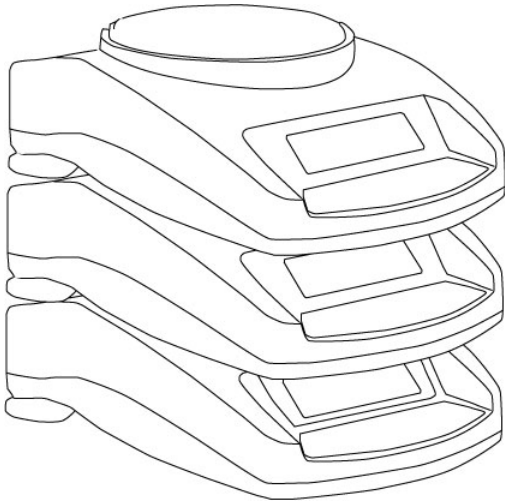
Ne pas les placer près de fenêtres ouvertes, climatisation, ventilateurs, qui pourraient causer des courants d'air et donc des lectures instables.



Gardez les balances propres, et ne pas empiler du matériel dessus quand elles ne sont pas utilisées. La Core possède la fonction d'empilement permettant d'empiler les balances les unes sur les autres. Pour plus de renseignements sur cette fonction allez à la section suivante.

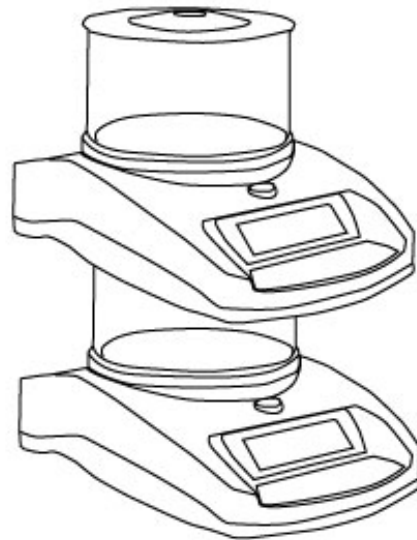
### 3.5 RANGER LES BALANCES LORSQU'ELLES NE SONT PAS UTILISEES

Si vous avez une des balances de la serie Highland™ ou Core Balance™ vous pouvez alors les empiler facilement les unes sur les autres ainsi vous economiserez de la place et les protegerez contre les endommagements.



*Sans cage de pesée*

*Avec cage de pesée*



**Note:** Seulement les modèles avec des plateaux de 120mm de  $\varnothing$  peuvent être empilés pour le rangement. Les modèles Core avec des plateaux de 145mm  $\varnothing$  peuvent seulement être posés sur le dessus des modèles avec le plus petit plateau mais ne peuvent pas être elles-mêmes empilées à cause de leur plus grande taille de plateau.

## 4.0 FONCTIONNEMENT DE BASE

### 4.1 MISE EN MARCHE DE LA BALANCE

Branchez la balance en utilisant l'**adaptateur DC** ou bien en utilisant l'alimentation par les piles.

- 4) Appuyez sur **[On/Off]** et la balance affichera automatiquement **Cqt-1.0 Cqt** ensuite comptera de 0 à 9 pendant quelques secondes et affichera **X.X Vol** ou x.x est la tension des piles ou de l'**adaptateur DC**. Enfin la balance affichera "0.00" avec la dernière unité de pesage utilisée, le symbole de stabilité et le symbole du zéro.
- 5) La balance est prête à être utilisée.
- 6) Pour éteindre la balance après utilisation, appuyez de nouveau sur **[on/off]**. Il y a une fonction d'auto extinction qui éteindra automatiquement balance, cette fonction peut être réglée comme expliqué dans la section paramètre.

### 4.2 REMISE A ZERO / TARE

Vous pouvez appuyer sur **[Tare]** pour régler le nouveau point zéro. Le zéro sera réglé si la lecture sur la balance est inférieure à 3% de la capacité de la balance. Ceci peut être nécessaire si une faible valeur de poids est affichée sur l'écran quand le plateau est vide. L'indicateur de zéro sera affiché dans le coin en haut à gauche de l'écran LCD.

Si vous utilisez un récipient pour peser, alors vous pouvez le placer sur le plateau et appuyez sur **[Tare]**, en vous assurant que le poids du récipient n'est pas plus important que 3% de la capacité maximum de la balance, l'écran affichera le zéro et **NET** s'allumera sur l'écran. Vous pouvez ensuite peser vos objets dans le récipient.

Faire la tare revient à soustraire le poids de la capacité total de la balance.



**Note:** Lorsque le récipient est enlevé, une valeur négative sera affichée. Si la balance a été tarée juste avant de retirer le récipient, cette valeur sera alors le poids brut du récipient plus tous les objets qui ont été retirés.

### **4.3 PESAGE**

Pour déterminer le poids d'un échantillon, premièrement tarer un récipient vide (si utilisé), ensuite placez l'échantillon dans le récipient. L'écran affichera le poids et l'unité de pesage actuellement utilisée. L'indicateur de stabilité sera allumé et la lecture sera stable.

### **4.4 UNITES PESAGE**

Pour changer les unités de pesage, appuyez sur **[Unit]** pour faire défiler les unités disponibles. Voir la section Paramètre pour activer et désactiver les unités de pesage. Une fois que l'unité a été sélectionnée, le poids sera affiché dans l'unité sélectionnée et un symbole pour le poids sera indiqué.

## 5.0 PARAMETERES

La balance possède 3 paramètres qui peuvent être réglés par l'utilisateur.

FONCTION	SECTION	DESCRIPTION
Auto Off	Voir section 5.1	Règle la fonction de l'auto extinction
Rétro Eclairage	Voir section 5.2	Règle le rétro éclairage <b>OFF BL</b> rétro éclairage est éteint <b>1 BL</b> rétro éclairage est automatique <b>2 BL</b> rétro éclairage est toujours allumé
Unité de pesage	Voir section 5.3	Règle les unités devant être utilisées. kg – g – lb – oz – ct – dr – GN – N

### 5.1 AUTO EXTINCTION

La fonction auto extinction aide à préserver l'énergie que ce soit lorsque vous utilisez des piles ou bien l'**adaptateur DC**. Le temps d'extinction peut être réglé par l'utilisateur, c'est le temps après une période d'inactivité par exemple lorsqu'il n'y a pas de poids en mouvement ou qu'aucunes touches n'aient été actionnées.

- 6) Pour régler ce paramètre, éteignez la balance, appuyez et maintenez la touche **[Tare]** ensuite appuyez sur **[on/off]** une fois, ensuite relâchez la touche **[Tare]**.
- 7) L'écran affichera la première fonction **PWR** où XX est le dernier réglage.
- 8) Appuyez sur **[Tare]** pour sélectionner les réglages suivants:

<b>Off PWR</b>	Auto extinction éteint
<b>10 PWR</b>	10 secondes avant que l'alimentation ne s'éteigne
<b>20 PWR</b>	20 secondes avant que l'alimentation ne s'éteigne
<b>30 PWR</b>	30 secondes avant que l'alimentation ne s'éteigne
<b>40 PWR</b>	40 secondes avant que l'alimentation ne s'éteigne
<b>50 PWR</b>	50 secondes avant que l'alimentation ne s'éteigne
<b>60 PWR</b>	60 secondes avant que l'alimentation ne s'éteigne
<b>70 PWR</b>	70 secondes avant que l'alimentation ne s'éteigne
<b>80 PWR</b>	80 secondes avant que l'alimentation ne s'éteigne
<b>90 PWR</b>	90 secondes avant que l'alimentation ne s'éteigne

- 9) Appuyez sur **[Unit]** pour confirmer le réglage

- 10) Pour sortir, éteignez la balance et rallumez-la de nouveau

## 5.2 REGLAGE DU RETRO ECLAIRAGE

Le rétro éclairage peut être activé ou désactivé par l'utilisateur. Si le rétro éclairage est désactivé, la durée de vie de la batterie augmentera.

Les réglages suivants sont disponibles:

<b>1 BL</b>	Règle le rétro éclairage pour fonctionner automatiquement quand un poids est placé sur la balance ou qu'un bouton est actionné.
<b>2 BL</b>	Règle le rétro éclairage sur On tout le temps.
<b>OFF BL</b>	Règle le rétro éclairage sur Off.

- 7) Pour régler ce paramètre, éteignez la balance, appuyez et maintenez la touche **[Tare]** ensuite appuyez sur **[on/off]** une fois, ensuite relâchez la touche **[Tare]**.
- 8) Après quelques secondes, l'écran affichera la première fonction **PWR**
- 9) Appuyez sur **[Unit]** jusqu'à ce que l'écran affiche **XX BL** ou XX est le dernier réglage
- 10) Appuyez sur **[Tare]** pour sélectionner le réglage comme ce qui suit: **1 BL - 2 BL – OFF BL**
- 11) Appuyez sur **[Unit]** pour confirmer le réglage
- 12) Pour sortir, éteignez la balance et rallumez-la encore

## 5.3 ACTIVATION DES UNITES DE PESAGE

Vous pouvez activer ou désactiver les unités de pesage disponible pour l'utilisateur quand celui-ci appuie sur **[Unit]** comme décrit en section 4.4 *unités de pesage*.

- 8) Pour régler ce paramètre, éteignez la balance, appuyez et maintenez la touche **[Tare]** ensuite appuyez sur **[on/off]** une fois, ensuite relâchez la touche **[Tare]**.
- 9) L'écran affichera la première fonction **PWR**



- 10) Appuyez sur **[Unit]** jusqu'à ce que l'écran affiche **XX g** où XX est le dernier réglage on ou off
- 11) Appuyez sur **[Tare]** pour sélectionner **on** ou **off**.
- 12) Appuyez sur **[Unit]** pour se déplacer vers la prochaine unité de pesage.
- 13) Répétez les étapes 5 et 6 jusqu'à ce que vous ayez fait toutes les unités.
- 14) Pour sortir, éteignez la balance et rallumez-la une nouvelle fois

Le tableau suivant montre les différentes unités qui sont disponibles à l'utilisateur et les facteurs de conversion pour chacune d'elle.

Nom des Unités	Description	Facteur de Conversion	Symbole sur l'écran
Kilogrammes	Une unité métrique standard	0.001	Kg
Grammes	Une unité métrique standard	1.0	G
Livres	Une unité de pesage standard en GB/USA.	0.002205	Lb
Ounce	Avoirdupois ounce. 16 ounces font une livre.	0.03528	OZ
Carat	Utilisé pour le pesage de bijoux et pierres précieuses, etc.	5.0	ct
Dram	Unité Avoirdupois, il y a 16 DR dans une livre.	0.564383	DR
Grains	Une unité de pesage de base dans le système impérial. Utilisé pour peser de la poudre à canon.	15.432	GN
Newtons	Utilisé pour mesurer la force	0.009808	N
Taiwanese taels	Utilisé pour peser le corail, les perles, etc.	0.026666	TL.t

## 6.0 CALIBRAGE

Le calibrage devient nécessaire quand la balance est installée pour la première fois ou déplacer vers un nouvel endroit. Au fil du temps et de l'utilisation, des déviations mécaniques peuvent apparaître, il est donc recommandé de calibrer votre balance régulièrement afin de toujours garder une haute performance.

Avant de calibrer vous devez être sûr que vous ayez des masses adéquates. Les masses doivent être connues d'une précision appropriée pour la balance devant être calibrée, par exemple, OIML Class M1 type ou ASTM E617 Class 4. Si vous ne possédez ce type de masses n'essayez pas de calibrer.


Modèles	CQT 202	CQT 251	CQT 601	CQT 1501	CQT 2601	CQT 2000	CQT 5000
Masses de calibrage			200g	500g			1000g
	100g	100g	Ou	Ou	1000g	1000g	Ou
	Ou	Ou	400g	1000g	Ou	Ou	3000g
	200g	200g	Ou	Ou	2000g	2000g	Ou
			600g	1500g			5000g

- 9) Pour entrer dans le paramètre de calibrage, allumez la balance et appuyez simultanément sur **[Unit]** et **[Tare]** une seule fois lorsque l'écran affiche le test initial de 1 à 9.
- 10) L'écran affichera **UnLOAD**, retirez tout poids du plateau.
- 11) Appuyez sur **[Tare]** pour entrer une valeur zéro.
- 12) La dernière valeur utilisée pour le calibrage sera affichée. Pour sélectionner un poids différent de calibrage, appuyez sur **[Unit]**.
- 13) Une fois que vous avez sélectionné le poids de calibrage devant être utilisé, appuyez sur **[Tare]**.
- 14) **LOAD** s'affichera, placez le poids sur le plateau.
- 15) Une fois que le symbole de stabilité est affiché, appuyez sur **[Tare]**.
- 16) Si le poids est dans 5% du dernier calibrage l'écran affichera **PASS** et sortira du mode de calibrage. Si le calibrage n'est pas accompli avec succès, l'écran affichera alors **FAIL** et sortira du mode de calibrage, si le calibrage échoue, essayez de nouveau.

## 7.0 GUIDE DE DEPANNAGE

### 7.1 MESSAGES D'ERREUR

Si un message d'erreur s'affiche, répétez l'étape qui a causé ce message. Si le message d'erreur est toujours indiqué, alors contactez votre fournisseur pour assistance.

CODE ERREUR	DESCRIPTION	CAUSES POSSIBLES	Solutions
<b>ADO</b>	Valeur A/D trop haute.	Il y a un poids sur le plateau lors de la mise en marche. Calibrage incorrect de la balance. Capteur endommagé. Problème d'électronique	Retirez le poids du plateau en inox. Recalibrez.
<b>ADL</b>	Valeur A/D trop faible.	Le plateau n'est pas installé lors de la mise en marche. Calibrage incorrect. Capteur endommagé.	Installez le plateau et rallumez la balance.  Recalibrez.
-----	Comptage A/D n'est pas correct lors de la mise en marche de la balance.	Capteur endommagé. Problème d'électronique	Retirez le poids du plateau en inox et essayez de rallumer la balance. Essayez de calibrer la balance.
<b>Unit-E</b>	Erreur d'unité.		
	Indicateur de batterie faible.	Les piles sont peut être trop faibles.	Changez les piles.
<b>FAIL</b>	Echec du calibrage.	Masse utilisée incorrecte pour calibrer. Le calibrage n'est pas dans les 5% du calibrage usine. Possibilité que le capteur soit endommagé.	Essayez de recalibrer, vérifiez que le poids utilisé pour calibrer corresponde a la valeur de balance.
	Instable – la machine ne peut pas obtenir une lecture stable.	Possibilité que la mécanique ou le capteur soit endommagé.	Soyez sur que la balance soit sur une surface plate et loin de toute source de vibration.
	Pas d'alimentation lors de la mise en marche.	Les piles sont peut être trop faibles. <b>Adaptateur DC</b> ne marche peut être pas.	Changez les piles. Ou utilisez l'adaptateur secteur.

## 7.2 REMPLACEMENT DES PIÈCES DÉTACHÉES ET ACCESSOIRES

Si vous avez besoin de commander des pièces détachées et des accessoires, veuillez contacter votre fournisseur ou Adam Equipment. Une liste partielle des pièces les plus communes est indiquée ci-dessous:

Numéro des pièces	Description
4178	Adaptateur DC prise USA 12VDC
9541	Adaptateur DC UK prise 12VDC
9542	Adaptateur DC Euro prise 12VDC
9543	Adaptateur DC SA prise 12VDC
5099	Adaptateur DC Australien prise 12VDC
9502	Plateau en inox de 120 mm
9540	Plateau en inox de 145mm
9511	Couvercle de la cage de pesée
9510	Cage de pesée (sans couvercle)
9306	Coque en plastique
8030	Câble de sécurité avec code

## 8.0 CARACTERISTIQUES

Modèle #	CQT-200	CQT- 250	CQT-600	CQT-1500	CQT-2600	CQT-2000	CQT-5000
Capacité Maximum	200g	250g	600g	1500g	2600g	2000g	5000g
Précision	0.01g	0.1g	0.1g	0.1g	0.1g	1g	1g
Résolution	1:20000	1:2500	1:6000	1:15000	1:26000	1:2000	1:5000
Reproductibilité (Dev Std)	0.02g	0.1g	0.1g	0.2g	0.2g	1g	1g
Linéarité ±	0.02g	0.1g	0.1g	0.2g	0.2g	1g	1g
Unités de Mesure	kg / g / lb / oz / ct / dr / GN / N						
Tps de Stabilisation	3 secondes	2 secondes		3 secondes		2 secondes	
Température de fonctionnement	0°C à 40°C						
Alimentation	Adaptateur 12VDC 500mA (12VDC 800mA South Africa), ou 6 piles AA						
Calibrage	Bouton de calibrage utilisant une masse externe						
Masse de calibration	200g	250g	600g	1500g	2000g	2000g	5000g
Afficheur	6 chiffres LCD, 18mm de haut, avec rétro éclairage						
Cage de pesée (diamètre x h)	132mm ø x 82mm				N/A		
Structure de la Balance	Plastique ABS						
Taille du plateau	120mm ø				145mm ø		
Dimensions totales (l x p x h)	173 x 255 x 86mm Sans cage de pesée						
Poids Net	820g						

## 9.0 CERTIFICAT DE CALIBRAGE

The logo for Adam Equipment, featuring the letters 'AE' in a stylized, bold, italicized font, followed by the word 'ADAM' in a similar font with a registered trademark symbol (®) to its upper right.

### *Certificate of Calibration*

This is to certify that the Core Balance™ series manufactured and distributed by Adam Equipment at the time of manufacturing passed calibration tests to the tolerances as outlined in the specifications section of this manual. Outside influences that may affect the calibration since that time may cause a change in the calibration data. We therefore recommend that a calibration is performed onsite and that regular calibration is undertaken.

Calibration Weights: The weights used to calibrate by the factory met ASTM / OIML standards and were accurate to OIML Class M1 / ASTM Class 4

Calibration Standards: Factory calibration was performed as described in the calibration section of this manual

## 10. INFORMATION SUR LA GARANTIE

Adam Equipment offre une Garantie Limitée (Pièces et main d'œuvre) pour tous les composants qui échouent à cause de défauts de matériaux ou de fabrication. La garantie commence à partir de la date de livraison.

Au cours de la période de garantie, pour toutes les réparations nécessaires, l'acheteur doit informer son fournisseur ou Adam Equipment. La société ou son technicien agréé se réserve le droit de réparer ou de remplacer les composants sur le site de l'acheteur ou dans l'un de ses ateliers en fonction de la gravité des problèmes, sans frais supplémentaires. Cependant, tout frais de port engagé dans l'envoi des unités défectueuses ou pièces au centre de service sera supporté par l'acheteur.

La garantie cessera de fonctionner si l'équipement n'est pas retourné dans son emballage d'origine avec la documentation qui convient afin que la réclamation soit traitée. Toutes les réclamations sont à la discrétion unique d'Adam Equipment.

Cette garantie ne couvre pas l'équipement sur lequel des défauts ou des pauvres performances sont dû à une mauvaise utilisation, dommage accidentel, exposition à des matières radioactives ou corrosives, négligence, mauvaise installation, des modifications non autorisées ou tentative de réparation ou non-respect des exigences et recommandations comme citées dans cette notice d'utilisation.

Ce produit peut comporter une batterie rechargeable qui est conçue pour être retirée et remplacée par l'utilisateur. Adam Equipment garantit qu'il fournira une batterie de remplacement si la batterie manifeste un défaut de matériaux ou de fabrication pendant la période initiale de l'utilisation du produit dans lequel la batterie est installée.

Comme avec toutes les batteries, la capacité maximale de toute batterie inclus dans le produit va diminuer avec le temps ou l'utilisation, et la durée de vie de la batterie varie selon le modèle du produit, la configuration, les caractéristiques, l'utilisation et les paramètres de gestion de l'alimentation. Une diminution de la capacité maximale de la batterie ou de durée de vie de la batterie n'est pas un défaut de matériaux ou de fabrication, et n'est pas couvert par cette garantie limitée.

La réparation effectuée en vertu de la garantie n'étend pas la période de garantie. Les composants enlevés durant les réparations de garantie deviennent la propriété de l'entreprise.

Les droits légaux de l'acheteur ne sont pas affectés par cette garantie. En cas de litige alors les termes de cette garantie sont régis par la législation britannique. Pour plus de détails sur les Informations de garantie, voir les termes et conditions de vente disponibles sur notre site web.

ADAM EQUIPMENT une entreprise internationale certifiée ISO 9001:2008 avec plus de 40 ans d'expérience dans la production et la vente d'équipement de pesage électronique.

Les produits Adam sont principalement conçus pour les marchés du Laboratoire, l'enseignement, la santé et remise en forme, le commerce et l'industrie. La gamme de produits peut être décrite comme suit:

- Balances Analytiques et de Précision
- Balances Compactes et Portables
- Balances de capacités importantes
- Analyseur d'humidité
- Balances mécaniques
- Balances compteuses
- Balances digitales/contrôle de pesée
- Plate forme haute performance
- Crochet peseur
- Balances santé et remise en forme
- Balances Poids Prix

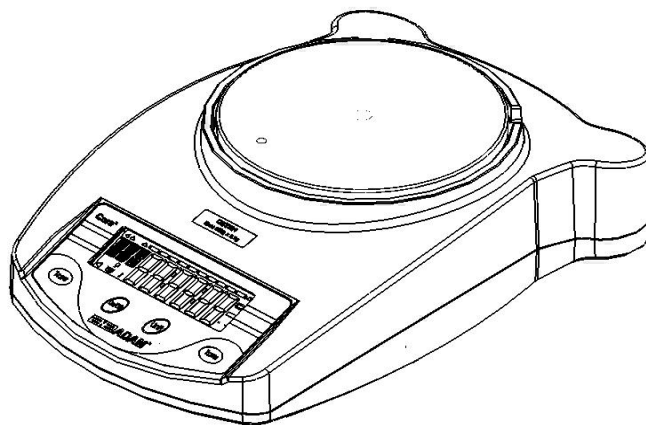
© Copyright par Adam Equipment Co. Ltd. Tous droits réservés. Aucune partie de cette publication ne peut être reproduite ou traduite sous quelque forme ou par tout moyen, sans l'autorisation préalable d'Adam Equipment.

Adam Equipment se réserve le droit d'apporter des modifications à la technologie, les caractéristiques, les spécifications et la conception de l'équipement sans préavis.

Toutes les informations contenues dans cette publication sont au mieux de nos connaissances actuelles, complètes et précises lorsqu'elles sont publiées. Cependant, nous ne sommes pas responsables des erreurs d'interprétation qui peut résulter de la lecture de cette notice.

## CORE SERIE

(P.N. 9539, Revision B5, März 2017)





**Übersicht:**

Modellname der Waage:	
Seriennummer der Einheit:	
Software-Revisionsnummer (Erscheint beim Einschalten der Waage):	
Kaufdatum:	
Name und Ort des Händlers:	

## 1.0 INHALT

1.0	INHALT .....	40
2.0	EINFÜHRUNG .....	41
3.0	EINRICHTEN .....	42
3.1	Auspacken und Aufstellen der Waage .....	42
3.2	Einlegen der Batterien .....	43
3.3	Überblick – Anzeige / Tastatur .....	43
3.4	Aufstellort und Schutzmassnahmen für Ihre Waage .....	45
3.5	Aufbewahrung.....	46
4.0	GRUNDBETRIEBSFUNKTIONEN .....	47
4.1	Einschalten der Waage .....	47
4.2	Auf Null stellen / Trieren .....	47
4.3	Wiegen.....	48
4.4	Wägeeinheiten.....	48
5.0	PARAMETER .....	49
5.1	Automatisches Abschalten .....	49
5.2	Einstellen der Hintergrundbeleuchtung .....	50
5.3	Aktivieren der Wägeeinheiten.....	50
6.0	KALIBRIERUNG .....	52
7.0	FEHLERDIAGNOSE.....	54
7.1	Fehlermeldungen.....	54
7.2	Ersatzteile und Zubehör .....	55
8.0	TECHNISCHE DATEN .....	56
9.0	KALIBRIERZERTIFIKAT .....	57
10.0	GARANTIEERKLÄRUNG .....	58

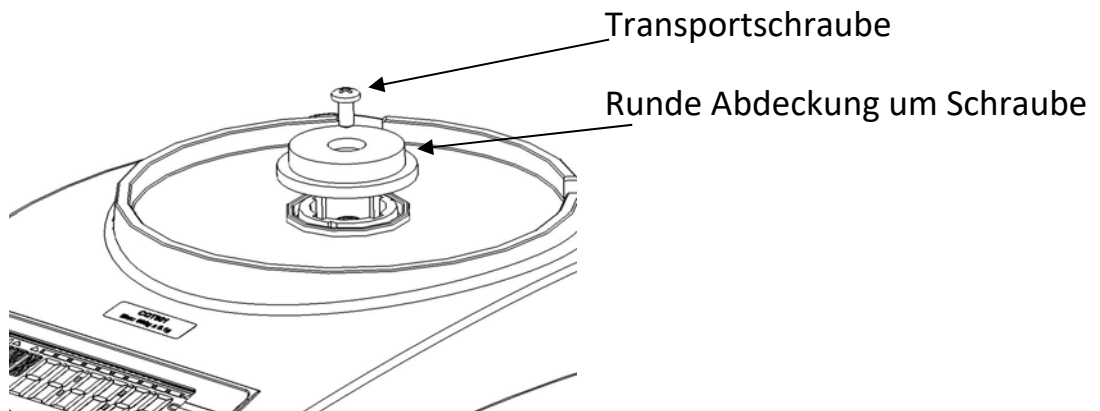
## 2.0 EINFÜHRUNG

Danke, dass Sie sich für die neue Core™ Waage entschieden haben. Jede Waage der Core Serie hat eine Reihe Merkmale und Optionen, die für die Arbeitsumgebung in Laboren und Klassenzimmern gleichermaßen ideal sind. Wir hoffen, dass Sie an der Arbeit mit der Core Waage viel Freude haben werden.

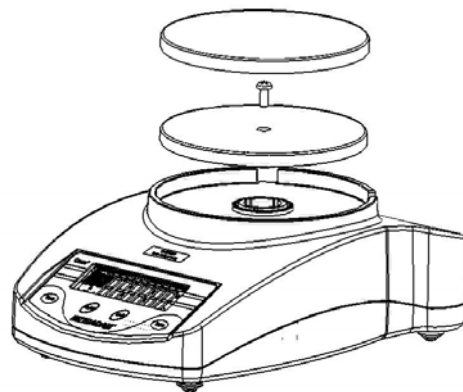
### 3.0 EINRICHTEN

#### 3.1 AUSPACKEN UND AUFSTELLEN DER WAAGE

- 9) Entfernen Sie mit dem beigelegten Innensechskantschlüssel die Transportschraube und die runde Abdeckung wie in der Abbildung dargestellt. (Es ist ratsam, die Abdeckung zusammen mit der Verpackung für zukünftige Versendung aufzubewahren; die Transportschraube wird zur Fixierung der Wägeplatte verwendet, s.u.)



- 10) Setzen Sie die Plastikunterlage der Wägeplatte (separat verpackt) auf die Halterung auf der Oberseite.



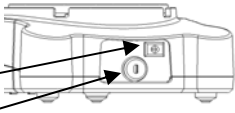
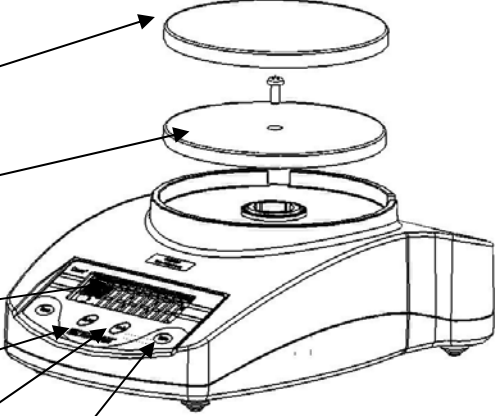
Verwenden Sie die Transportschraube, um die Plastikunterlage zu befestigen. Achten Sie darauf, dass Sie beim Einsetzen und Anziehen der Schraube nicht zu viel Kraft aufwenden, da dies die Wägezelle beschädigen kann. Es reicht, die Schraube nur leicht anzuziehen.

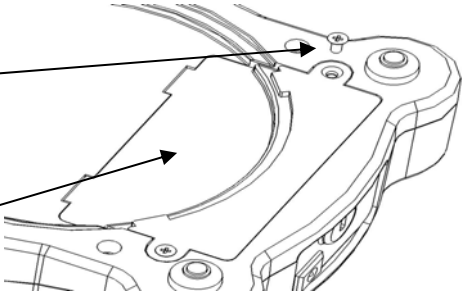

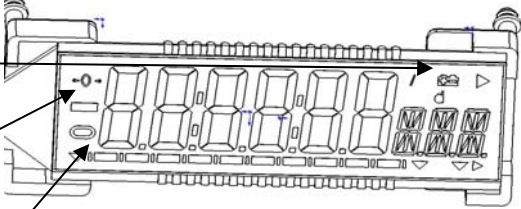
- 11) Setzen Sie die Edelstahlwägeplatte auf die Plastikunterlage auf.
- 12) Stellen Sie die Waage auf eine feste, ebene Fläche, um genaue Ergebnisse zu erhalten.

### 3.2 EINLEGEN DER BATTERIEN

Entfernen Sie den Deckel des Batteriefaches und legen Sie sechs Batterien (R6P/LR6 /AA size) in das Batteriefach ein.

### 3.3 ÜBERBLICK – ANZEIGE / TASTATUR

<p><u>RÜCKSEITE</u></p> <p>Anschluss Netzadapter Sicherungsschlitz</p>	
<p><u>OBERSEITE</u></p> <p>Edelstahlwägeplatte Plastikunterlage LCD Anzeige <b>[On/Off]</b> Taste Schaltet Waage an/aus <b>[Unit]</b> Taste Ändern der Wägeeinheiten, auch für Kalibrierung <b>[Tare]</b> Taste Setzt Anzeige auf Null oder tariert Waage</p>	

<p><u>UNTERSEITE</u></p> <p>Schrauben des Batteriefachs</p> <p>Abdeckung des Batteriefach</p> <p>Batterien werden nicht mitgeliefert</p>	
<p><u>ANZEIGE</u></p> <p> Batterieanzeige</p> <p>NULL Anzeige erscheint, wenn Nullstelle korrekt</p> <p>STABIL Anzeige erscheint, sobald Ergebnis stabil.</p>	

### 3.4 AUFSTELLORT UND SCHUTZMASSNAHMEN FÜR IHRE WAAGE

Um Ihre Waage voll funktionsfähig zu halten, raten wir, folgende Maßnahmen zu beachten:



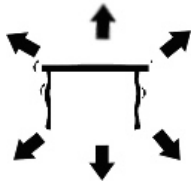
Vermeiden Sie extreme Temperaturen. Nicht in direktem Sonnenlicht oder nahe Klimaanlage aufstellen.



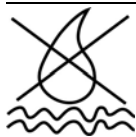
Stellen Sie sicher, dass die Waage auf einem stabilen Tisch steht, und keinen Vibrationen ausgesetzt ist.



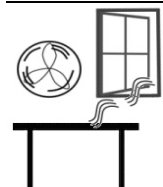
Instabile Energiequellen vermeiden. Nicht neben Maschinen mit großem Elektrizitätsverbrauch wie Schweißausrüstung oder große Motoren verwenden. Lassen Sie keine Batterien in der Waage, wenn sie über längere Zeit nicht verwendet wird.



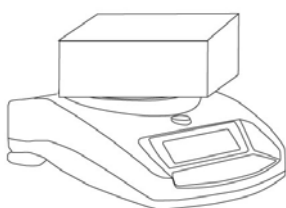
Vibrationen vermeiden. Nicht neben schweren oder vibrierenden Maschinen aufstellen.



Hohe Feuchtigkeit, die Kondensation verursachen könnte, vermeiden. Direkten Kontakt mit Wasser vermeiden. Kein direkter Kontakt mit Wasser.



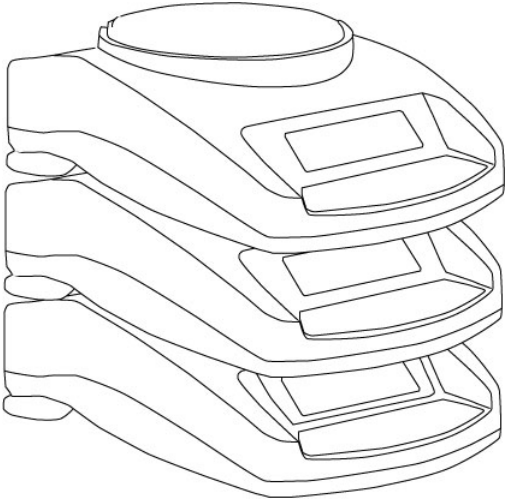
Nicht in der Nähe von offenen Fenstern und Türen, Klimaanlage oder Ventilatoren aufstellen, die durch Luftzug instabile Ergebnisse verursachen.



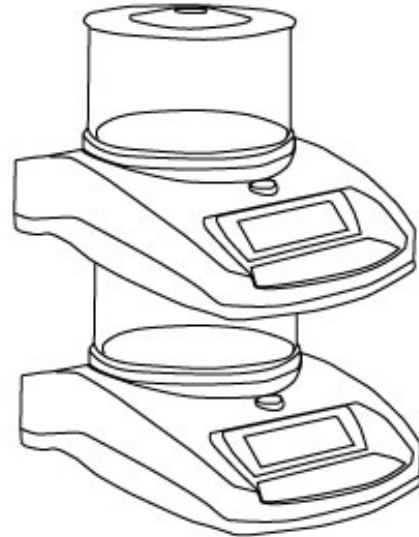
Halten Sie die Waage sauber. Lagern Sie keine Gegenstände auf der Waage, wenn diese nicht in Betrieb ist. Core-Waagen sind so gebaut, dass sie aufeinander gestapelt werden können. Weitere Einzelheiten entnehmen Sie bitte dem nächsten Abschnitt zur Aufbewahrung.

### 3.5 AUFBEWAHRUNG

Wenn Sie Waagen der Highland™- oder Core Balance™-Reihe besitzen, können Sie diese leicht aufeinander stapeln. So sparen Sie Platz, und die Waagen sind besser vor Beschädigung geschützt.



*Ohne Windschutz*



*Mit Windschutz*

**Anmerkung:** Nur Modelle mit Wägeplattengröße 120mm / 4.8"  $\varnothing$  sind zur Aufbewahrung stapelbar. Core-Modelle mit 145mm / 5.7"  $\varnothing$  können als oberste des Stapels aufgesetzt werden, aber es können aufgrund der größeren Wägeplatte keine Waagen auf diese Modelle aufgesetzt werden.



## 4.0 GRUNDBETRIEBSFUNKTIONEN

### 4.1 EINSCHALTEN DER WAAGE

Schließen Sie die Waage mit dem Netzadapter an, oder verwenden Sie Batterien.

- 7) Schalten Sie die Waage mit der [on/off] Taste ein. Die Waage zeigt automatisch **Cqt-1.0 Cqt**, dann zählt Sie in paar Sekunden von 0 bis 9, und zeigt die Spannung, **XX Vol** wobei x.x die Spannung der Batterien oder des Netzadapters ist. Am Ende wird "0.00" angezeigt, sowie die zuletzt gewählte Wägeeinheit, und den Symbolen für Stabil und Null.
- 8) Die Waage ist nun bereit.
- 9) Um die Waage auszuschalten, drücken Sie erneut [on/off]. Es gibt außerdem eine automatische Abschaltfunktion. Die in den Parametern eingestellt werden kann.

### 4.2 AUF NULL STELLEN / TARIEREN

Sie können mit der [Tare] Taste eine neue Nullstelle setzen. Die Nullstelle wird gesetzt, wenn die Auslesung der Waage weniger als 3% der Waagenkapazität beträgt. Dies kann dann notwendig sein, wenn ein Wert angezeigt wird, obwohl die Waage nicht beladen ist. Die Nullanzeige erscheint in der linken oberen Ecke der LCD.

Wenn Sie einen Behälter beim Wiegen verwenden, dann können Sie ihn leer auf die Wägeplatte stellen und die Waage mit [Tare] tariieren, vorausgesetzt, der Behälter ist schwerer als 4% der Waagenkapazität. Auf der Anzeige wird dann Null angezeigt, und **NET** erscheint. Nun können Objekte im Behälter gewogen werden. Das tarierte Gewicht wird von der Gesamtkapazität der Waage abgezogen.



**Anmerkung:** Sobald der Behälter entfernt wird, wird ein negativer Wert angezeigt. Wurde die Waage direkt vor Entfernen des Behälters tariiert, entspricht dieser Wert dem Bruttogewicht des Behälters plus aller weiteren entfernten Objekte.

### **4.3 WIEGEN**

Um das Gewicht eines Objektes zu bestimmen, tariieren Sie zunächst das Gewicht des Behälters, falls einer verwendet werden soll, und legen Sie dann das Objekt in diesen Behälter. Das Gewicht wird in der gegenwärtig eingestellten Gewichtseinheit angezeigt. Die Anzeige 'stabil' wird angezeigt, sobald ein stabiles Ergebnis erreicht ist.

### **4.4 WÄGEEINHEITEN**

Um die Wä geeinheiten zu ändern, drücken Sie **[Unit]** um durch die verfügbaren Einheiten blättern. (Siehe Abschnitt Parameter bezüglich Aktivieren oder Deaktivieren von Wä geeinheiten.) Sobald die Wä geeinheit ausgewählt wurde wird das Gewicht in dieser Einheit angezeigt, und Gewichtssymbol erscheint.

## 5.0 PARAMETER

Die Waage hat 3 Parameter, die vom Anwender eingestellt werden können.

FUNFTION	ABSCHNITT	BESCHREIBUNG
Automatisches Abschalten	Siehe Abschnitt 5.1	Einstellen der Funktion Automatisches Abschalten
Hintergrundbeleuchtung	Siehe Abschnitt 5.2	Einstellen der Hintergrundbeleuchtung <b>OFF BL</b> Hintergrundbeleuchtung aus <b>1 BL</b> Hintergrundbeleuchtung automatisch <b>2 BL</b> Hintergrundbeleuchtung immer an
Wägeeinheiten	Siehe Abschnitt 5.3	Setzt die Einheiten, die verwendet werden sollen kg – g – lb – oz – ct – dr – GN – N-tl.t

### 5.1 AUTOMATISCHES ABSCHALTEN

Die Funktion Automatisches Abschalten reduziert den Energieverbrauch sowohl bei Batterie- als auch bei Strombetrieb. Der Zeitspanne für das automatische Abschalten kann vom Benutzer eingestellt werden, und ist die Dauer, über die Waage inaktiv war, z.B. kein Gewicht aufgelegt oder keine Taste gedrückt wurden, bevor das Abschalten erfolgt.

- 11) Um diesen Parameter einzustellen, schalten Sie die Waage aus, halten Sie **[Tare]** gedrückt, schalten Sie die Waage mit **[on/off]** wieder ein. Lassen Sie **[Tare]** erst los, wenn (nach 1, 2 Sekunden) **XX PWR** erscheint, wobei **XX** für die letzte Einstellung steht.
- 12) Drücken Sie **[Tare]**, um eine der folgenden Einstellungen zu wählen:

<b>Off PWR</b>	Automatisches Abschalten deaktiviert
<b>10 PWR</b>	10 Sekunden bis zum Abschalten der Waage
<b>20 PWR</b>	20 Sekunden bis zum Abschalten der Waage
<b>30 PWR</b>	30 Sekunden bis zum Abschalten der Waage
<b>40 PWR</b>	40 Sekunden bis zum Abschalten der Waage
<b>50 PWR</b>	50 Sekunden bis zum Abschalten der Waage
<b>60 PWR</b>	60 Sekunden bis zum Abschalten der Waage
<b>70 PWR</b>	70 Sekunden bis zum Abschalten der Waage
<b>80 PWR</b>	80 Sekunden bis zum Abschalten der Waage
<b>90 PWR</b>	90 Sekunden bis zum Abschalten der Waage

- 13) Bestätigen Sie Ihre Einstellung mit **[Unit]**. Danach sind Sie automatisch im nächsten Parameter *Hintergrundbeleuchtung*.
- 14) Zum Beenden der Parameter schalten Sie die Waage aus und wieder an.

## 5.2 EINSTELLEN DER HINTERGRUNDBELEUCHTUNG

Die Hintergrundbeleuchtung kann vom Anwender aktiviert oder deaktiviert werden. Ist sie deaktiviert, schont es die Batterien, die somit länger halten.

Die folgenden Einstellungen sind verfügbar:

<b>1 BL</b>	Die Beleuchtung geht automatisch an, sobald ein Gewicht auf die Waage gelegt wird, oder eine Taste betätigt wird.
<b>2 BL</b>	Die Beleuchtung ist immer an.
<b>OFF BL</b>	Die Beleuchtung ist immer aus.

- 13) Um diesen Parameter einzustellen, schalten Sie, wenn Sie im normalen Wägemodus sind, die Waage aus, halten Sie **[Tare]** gedrückt, schalten Sie die Waage mit **[on/off]** wieder ein.
- 14) Lassen Sie **[Tare]** los, wenn (nach 1, 2 Sekunden) **XX PWR** erscheint.
- 15) Drücken Sie die **[Unit]** Taste 1x. **XX BL** erscheint, wobei **XX** für die letzte Einstellung steht.
- 16) Mit **[Tare]** können sie durch die verschiedenen Einstellungen blättern.
- 17) Bestätigen Sie Ihre Einstellung mit **[Unit]**. Danach sind Sie automatisch im nächsten Parameter *Wägeeinheiten*
- 18) Zum Beenden der Parameter schalten Sie die Waage aus und wieder an.

## 5.3 AKTIVIEREN DER WÄGEEINHEITEN

Sie können die Wägeeinheiten aktivieren bzw. deaktivieren. Dadurch sind sie beim Wiegen für die Anwender verfügbar, wenn sie wie in Abschnitt 4.4 *Wägeeinheiten* beschrieben die **[Unit]** Taste betätigen.

- 15) Um diesen Parameter einzustellen, schalten Sie die Waage aus, halten Sie **[Tare]** gedrückt, schalten Sie die Waage mit **[on/off]** wieder ein. Lassen Sie **[Tare]** erst los, wenn (nach 1, 2 Sekunden) **XX PWR** erscheint.

- 16) Drücken Sie 2x **[Unit]**. In der Anzeige erscheint nun **XX g** wobei **XX** für die letzte Einstellung steht.
- 17) Wählen Sie mit **[Tare]** eine der beiden Optionen, **on** und **off**.
- 18) Bestätigen Sie Ihre Einstellung mit **[Unit]**. Damit sind Sie bei der nächsten Wägeeinheit.
- 19) Wiederholen Sie die letzten 2 Schritte, bis alle Einheiten wie gewünscht eingestellt sind.
- 20) Zum Beenden der Parameter schalten Sie die Waage aus und wieder an.

Die folgende Tabelle zeigt die verschiedenen verfügbaren Wägeeinheiten, und den jeweiligen Umrechnungsfaktor.

Name der Einheit	Beschreibung	Umrechnungsfaktor	Symbol in der Anzeige
Kilogramm	Metrische Standardeinheit	0.001	Kg
Gramm	Metrische Standardeinheit	1.0	G
Pfund	Standard-Wägeeinheit in UK/USA.	0.002205	Lb
Unze	Avoirdupois-Unze 16 Unzen ergeben ein Pfund.	0.03528	OZ
Karat	Zum Wiegen von Schmuck, Edelsteinen, etc.	5.0	ct
Dram	Avoirdupois-Einheit, 16 DR ergeben eine Unze.	0.564383	DR
Grain	Eine Grundeinheit im Imperialen System. Zum Wiegen von Schießpulver.	15.432	GN
Newton	Einheit zum Messen der Kraft	0.009808	N
Taiwan. Taels	Zum Wiegen von Korallen, Perlen, etc.	0.026666	TLt

## 6.0 KALIBRIERUNG

Dies kann beim ersten Aufstellen oder beim Aufstellen an einem anderen Ort nötig werden. Nach längerem Gebrauch können mechanische Abweichungen entstehen, daher ist es ratsam, die Waage regelmäßig zu kalibrieren, um eine kontinuierlich gute Leistung zu gewährleisten.

Bevor Sie kalibrieren, vergewissern Sie sich, dass Sie die richtigen Kalibriergewichte zur Verfügung haben. Die Gewichte sollten eine bekannte, der Waage entsprechende Genauigkeit aufweisen, z.B. OIML Klasse M1 oder ASTM E617 Klasse 4. Führen Sie ohne angemessenen Gewichte keine Kalibrierung durch!

Modell	CQT 202	CQT 251	CQT 601	CQT 1501	CQT 2601	CQT 2000	CQT 5000
Kalibrier- gewicht	100g oder 200g	100g oder 200g	200g oder 400g oder 600g	500g oder 1000g oder 1500g	1000g oder 2000g	1000g oder 2000g	1000g oder 3000g oder 5000g

- 17) Um in das Kalibrieremenü zu gelangen, schalten Sie die Waage aus. Drücken Sie gleichzeitig **[Unit]** und **[Tare]**, und schalten Sie die Waage an. Lassen Sie nach 3 Sekunden **[Unit]** und **[Tare]** los.
- 18) Befindet sich Gewicht auf der Wägeplatte, wird **UnLOAD** angezeigt. Entfernen Sie jedes Gewicht.
- 19) Stellen Sie die Waage mit **[Tare]** auf Null.
- 20) Der zuletzt bei einer Kalibrierung verwendete Gewichtswert wird angezeigt. Mit **[Unit]** können Sie einen anderen Wert wählen.
- 21) Sobald das zu verwendende Gewicht gewählt wurde, bestätigen Sie mit **[Tare]**.
- 22) **LOAD** wird angezeigt. Stellen Sie das Kalibriergewicht auf die Waage.
- 23) Sobald das Symbol für stabil erscheint drücken Sie **[Tare]**.
- 24) Liegt das Gewicht innerhalb von 5% des letzten Kalibrierwertes, wird **PASS** angezeigt, und der Kalibriervorgang wird beendet. Ist die Kalibrierung


DE

nicht erfolgreich, wird **FAIL** angezeigt, und der Kalibriervorgang beendet.  
Versuchen Sie es in diesem Fall erneut.

## 7.0 FEHLERDIAGNOSE

### 7.1 FEHLERMELDUNGEN

Wird eine Fehlermeldung angezeigt, wiederholen Sie die letzten Schritte, die die Meldung verursacht haben. Erscheint die Fehlermeldung erneut, kontaktieren Sie bitte Ihren Händler .

FEHLER-MELDUNG	BESCHREIBUNG	MÖGLICHE URSACHE	MÖGLICHE LÖSUNG
<b>ADO</b>	A/D Wert zu hoch.	Gewicht auf der Waage beim Einschalten. Falsches Kalibrieren der Waage. Wägezelle beschädigt. Elektronik beschädigt.	Entfernen Sie jedes Gewicht von der Wägeplatte. Kalibrieren Sie erneut.
<b>ADL</b>	A/D Wert zu niedrig.	Wägeplatte beim Einschalten nicht aufgesetzt. Falsches Kalibrieren der Waage. Wägezelle beschädigt.	Setzen Sie die Wägeplatte auf und schalten Sie die Waage ein.  Kalibrieren Sie erneut.
-----	A/D Zählung falsch beim Einschalten der Waage.	Wägezelle beschädigt. Elektronik beschädigt.	Entfernen Sie jedes Gewicht von der Waage. Versuchen Sie einen Neustart. Versuchen Sie, die Waage zu kalibrieren.
<b>Unit-E</b>	Fehler Wägeeinheit.		
	Batterieanzeige.	Batterien evtl. schwach.	Wechseln Sie die Batterien.
<b>FAIL</b>	Kalibrierung fehlgeschlagen.	Falsche Masse bei Kalibrierung verwendet. Die Kalibrierung ist nicht innerhalb 5% der Werkskalibrierung. Wägezelle möglicherweise beschädigt.	Versuchen Sie neu zu kalibrieren. Überprüfen Sie, dass das verwendete Gewicht dem Wert für die Waage entspricht.
	Instabil – Die Waage erzielt kein stabiles Ergebnis.	Wägezelle möglicherweise beschädigt.	Stellen Sie sicher, dass die Waage auf einer ebenen, vibrationsfreien Oberfläche steht.
	Kein Strom beim Einschalten.	Batterien schwach oder leer. Netzadapter möglicherweise defekt.	Wechseln Sie die Batterien Verwenden Sie einen funktionierenden Netzadapter.



## 7.2 ERSATZTEILE UND ZUBEHÖR

Wenn Sie Ersatzteile oder Zubehör benötigen, kontaktieren Sie Ihren Händler oder Adam Equipment. Hier eine Teilliste mit einigen übliche Artikeln:

Artikelnummer	Beschreibung
4178	Netzteil mit USA Stecker 12VDC
9541	Netzteil mit UK Stecker 12VDC
9542	Netzteil mit Eurostecker 12VDC
9543	Netzteil mit SA Stecker 12VDC
5099	Netzteil mit Stecker für Australien 12VDC
9502	120 mm Wägeplatte aus Edelstahl
9540	145mm Wägeplatte aus Edelstahl
9511	Deckel für Windschutz
9510	Windschutz (ohne Deckel)
9306	Arbeitsschutzhaube
8030	Sicherheitsschloss mit Kabel

## 8.0 TECHNISCHE DATEN

Modell	CQT-200	CQT- 250	CQT-600	CQT-1500	CQT-2600	CQT-2000	CQT-5000
Kapazität max.	200g	250g	600g	1500g	2600g	2000g	5000g
Ablesbarkeit	0.01g	0.1g	0.1g	0.1g	0.1g	1g	1g
Auflösung	1:20000	1:2500	1:6000	1:15000	1:26000	1:2000	1:5000
Wiederholbarkeit (Std Dev)	0.02g	0.1g	0.1g	0.2g	0.2g	1g	1g
Linearität ±	0.02g	0.1g	0.1g	0.2g	0.2g	1g	1g
Wägeeinheiten	kg / g / lb / oz / ct / dr / GN / N						
Stabilisierungszeit	3 Sek.	2 Sek.		3 Sek.		2 Sek.	
Betriebs- temperatur	0°C bis 40°C 32°F bis 104°F						
Stromversorgung	12VDC 500mA Adapter (12VDC 800mA Sud Afrika), oder 6x AA Batterien						
Kalibrierung	Kalibrierung per Tastendruck mit externer Masse						
Kalibriermasse	200g	250g	600g	1500g	2000g	2000g	5000g
Anzeige	6-stellige LCD, 18mm Ziffern, hinterleuchtet						
Windschutz (Durchmesser x h)	132mm ø x 82mm (5.2" ø x 3.2")				N/A		
Waagengehäuse	ABS Kunststoff						
Größe Wägeplatte	120mm ø (5.1" ø)				145mm ø (5.7" ø)		
Gesamt- abmessungen (w x d x h)	173 x 255 x 86mm (6.8" x 10" x 3.3") ohne Windschutz						
Nettogewicht	820g (1.8lb)						

## 9.0 KALIBRIERZERTIFIKAT

The logo for Adam Equipment, featuring a stylized 'AE' symbol followed by the word 'ADAM' in a bold, sans-serif font with a registered trademark symbol.

### *Certificate of Calibration*

This is to certify that the Core Balance™ series manufactured and distributed by Adam Equipment at the time of manufacturing passed calibration tests to the tolerances as outlined in the specifications section of this manual. Outside influences that may affect the calibration since that time may cause a change in the calibration data. We therefore recommend that a calibration is performed onsite and that regular calibration is undertaken.

Calibration Weights: The weights used to calibrate by the factory met ASTM / OIML standards and were accurate to OIML Class M1 / ASTM Class 4

Calibration Standards: Factory calibration was performed as described in the calibration section of this manual

## 10. GARANTIEERKLÄRUNG

Adam Equipment bietet eine beschränkte Garantie (Teile und Arbeitskraft) für Komponenten, die auf Grund von Material- oder Bearbeitungsmängeln ausgefallen sind. Die Garantie beginnt am Tag der Lieferung.

Sollten während des Garantiezeitraums Reparaturen jeglicher Art von Nöten sein, so muss der Käufer seinen Händler oder Adam Equipment Company davon in Kenntnis setzen. Das Unternehmen bzw. die von ihr autorisierten Techniker behalten sich das Recht vor, Komponenten nach eigenem Ermessen, zu reparieren oder zu ersetzen. Frachtkosten, die durch das Zusenden fehlerhafter Teile an das Servicezentrum entstehen, müssen vom Käufer selbst getragen werden.

Die Garantie wird nichtig, wenn das Gerät nicht in Originalverpackung und mit ordnungsgemäßer Dokumentation zur Bearbeitung eines Schadensersatzspruches zurückgesandt wurde. Sämtliche Ansprüche unterliegen dem Ermessen von Adam Equipment.

Diese Garantie bezieht sich nicht auf Gerätschaften, bei denen Mängel oder unzulängliche Funktionen auf Grund falscher Anwendung, versehentlicher Beschädigung, Strahlenbelastung, Kontakt mit ätzenden Materialien, Fahrlässigkeit, falscher Installation, unbefugter Modifikation oder versuchter Reparatur, sowie Missachtung der Anweisungen dieser Bedienungsanleitung verursacht wurden.

Reparaturen, die innerhalb der Garantie ausgeführt wurden, verlängern den Garantiezeitraum nicht. Komponenten, die im Rahmen der Garantie-Reparaturen entnommen werden, gehen in das Eigentum des Unternehmens über.

Die satzungsgemäßen Rechte des Käufers werden durch diese Garantie nicht beeinflusst. Die Garantiebedingungen unterliegen dem Recht von England und Wales. Für ausführliche Einzelheiten und Informationen zur Garantie sehen Sie bitte die Geschäftsbedingungen auf unserer Webseite ein.

**ADAM EQUIPMENT** ist ein nach ISO 9001:2008 zertifiziertes globales Unternehmen mit mehr als 40 Jahren Erfahrung in Herstellung und Vertrieb elektronischer Wägeapparatur.

Die Adam-Produkte werden hauptsächlich für die Märkte Labor, Bildung, Medizin, Handel und Industrie entworfen. Der Umfang des Produktangebots kann wie folgt beschrieben werden:

- Analysen- und Präzisionswaagen
- Kompakt- und tragbare Waagen
- Waagen für hohe Lasten
- Feuchtebestimmer
- Mechanische Waagen
- Zählwaagen
- Digitales Wiegen / Waagen für Kontrollwägung
- Hochleistungs-Plattformwaagen
- Kranwaagen
- Medizinische Waagen
- Ladenwaagen zur Preisberechnung

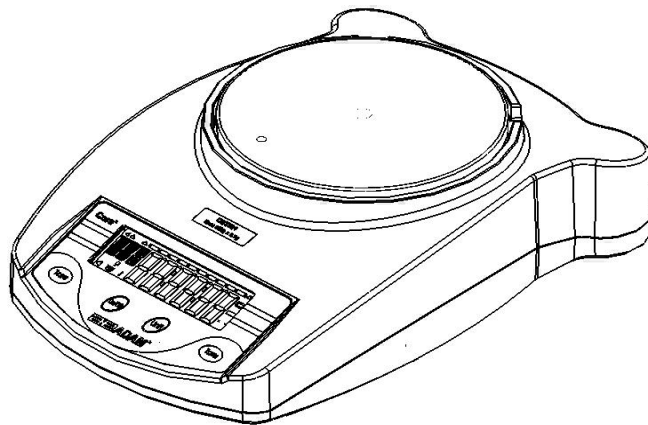
© copyright Adam Equipment Co. Ltd. Alle Rechte vorbehalten. Kein Teil dieser Publikation darf ohne vorherige Genehmigung von Adam Equipment in irgendeiner Form nachgedruckt oder übersetzt werden.

Adam Equipment behält sich das Recht vor, Technologie, Eigenschaften, Spezifikationen und Design der Apparatur ohne Vorankündigung zu verändern.

Alle Informationen in dieser Publikation sind zum Zeitpunkt der Veröffentlichung nach bestem Wissen und Gewissen aktuell, vollständig und genau. Dennoch sind wir nicht verantwortlich für Mißdeutungen, die aus dem Lesen dieser Publikation resultieren können.

**Serie Core**

(P.N. 9539, Revision B5, Marzo 2017)



**Referencia:**

Nombre del modelo de la balanza:	
Numero de serie de la unidad:	
Numero de revisión del software (Demostrado al encender la balanza):	
Fecha de compra:	
Nombre y lugar del suministrador:	

## 1.0 CONTENIDO

1.0	CONTENIDO .....	61
2.0	INTRODUCCIÓN.....	62
3.0	ESTABLECIMIENTO.....	62
3.1	DESEMBALAR Y ESTABLECIENDO SU BALANZA .....	62
3.2	INSTALANDO BATERIAS.....	63
3.3	VISTA GENERAL - DISPLAY/TECLADO .....	63
3.4	SITUANDO Y PROTEGIENDO SU BALANZA.....	65
3.5	ALMACENANDO CUANDO NO EN USO.....	66
4.0	OPERACIÓN BÁSICA.....	67
4.1	ENCENDIENDO LA BALANZA.....	67
4.2	AJUSTE A CERO / TARA.....	67
4.3	PESANDO.....	67
4.4	UNIDADES DE PESAJE .....	67
5.0	PARAMETROS.....	68
5.1	APAGUE AUTOMÁTICO .....	68
5.2	AJUSTANDO LA RETROILUMINACIÓN.....	68
5.3	ACCEDIENDO LAS UNIDADES DE PESAJE.....	69
6.0	CALIBRACIÓN .....	70
7.0	TRATAMIENTO DE PROBLEMAS .....	71
7.1	MENSAJES DE ERROR.....	71
7.2	REPUESTOS Y ACCESORIOS.....	71
8.0	ESPECIFICACIONES .....	72
9.0	CERTIFICADO DE CALIBRACIÓN.....	73
10.0	GARANTÍA .....	74

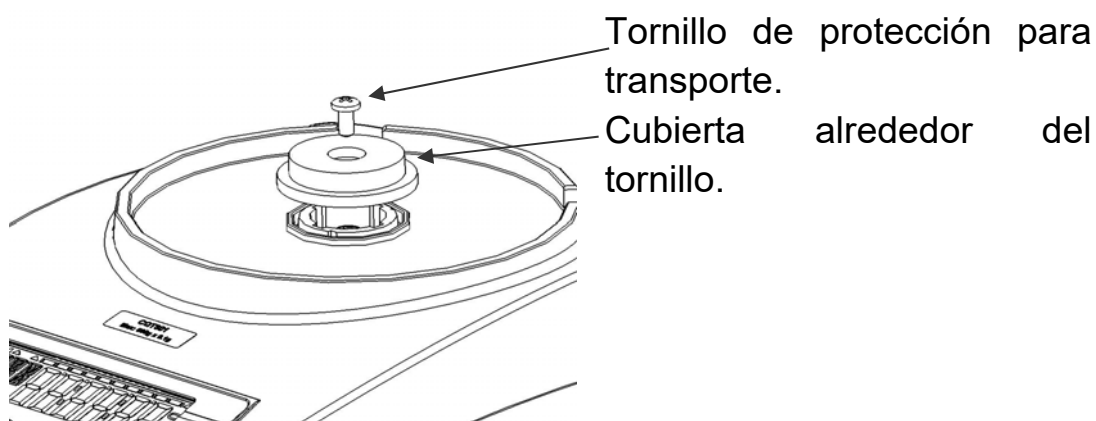
## 2.0 INTRODUCCIÓN

Gracias por la compra de su nueva balanza Core™. Cada balanza de la serie Core tiene una gama de características y opciones ideales para el laboratorio y la clase. Esperamos que usted disfrute utilizando su nueva balanza Core.

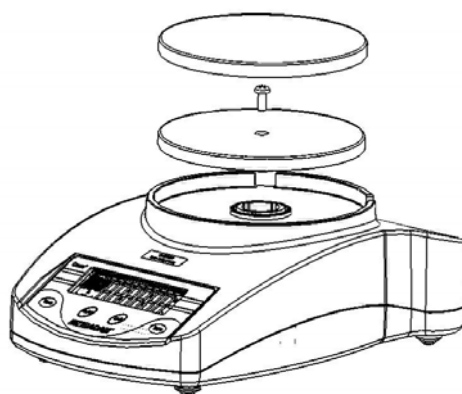
## 2.0 ESTABLECIMIENTO

### 3.1 DESEMBALAR Y ESTABLECIENDO SU BALANZA

Remueva el tornillo de protección y cobertura para envíos utilizando la llave Allen suministrada en la caja como mostrado debajo. (Es conveniente mantener el tornillo de protección y la cobertura para envíos junto con la caja de empaque para utilizar en el futuro).



Coloque el plato (que viene empacado separado) en los receptáculos encima de la cubierta.



Utilice el tornillo de protección de envío para atornillar el plato plástico en su lugar. Tenga cuidado al poner el tornillo y no utilice demasiada fuerza porque puede causarle daño a la celda de pesaje.

Coloque el plato de acero inoxidable encima del plato de plástico.

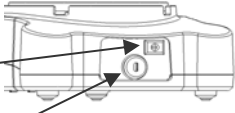
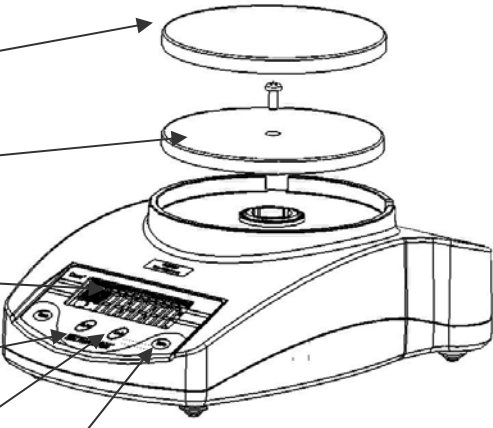
Coloque la balanza sobre una superficie sólida y plana para pesajes exactos.

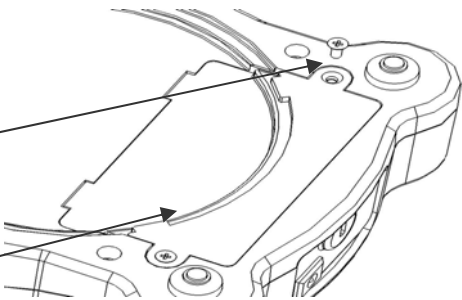
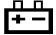
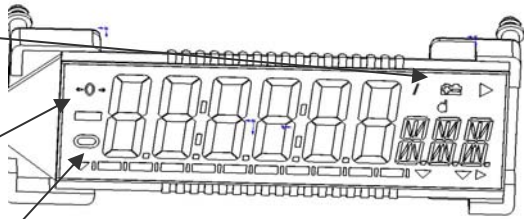


**3.2 INSTALANDO BATERIAS**

Remueva la cobertura del compartimiento de batería e inserte seis baterías (R6P/LR6/ tamaño AA) en el compartimiento.

**3.3 VISTA GENERAL - DISPLAY/TECLADO**

<p><b>DETRAS</b>                  Enchufe del adaptador DC                  Cerradura de seguridad</p>	
<p><b>ENCIMA</b>                  Plato de acero inoxidable                  Plato de plástico                  Display LCD                  Tecla [On/Off]                  Enciende y apaga la balanza                  Tecla [Unit]                  Cambia las unidades de pesaje. Tambien usado para calibración                  Tecla [Tare]                  Ajusta el display a cero o tara la balanza</p>	

<p><u>DEBAJO</u></p> <p>Tornillos del compartimiento de baterías</p> <p>Cobertura del compartimiento de baterías (Baterías no son incluidas)</p>	
<p><u>DISPLAY</u></p> <p> Indicador de batería</p> <p>Indicador CERO Indica cuando el cero de pesaje es correcto.</p> <p>Indicador STABLE Indica cuando el resultado es estable.</p>	

### 3.4 SITUANDO Y PROTEGIENDO SU BALANZA

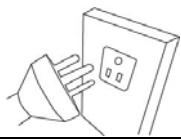
Para mantenerle la balanza funcionando en su mejor forma sugerimos que usted haga lo siguiente:



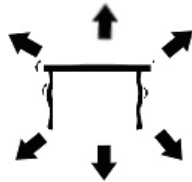
Evite extremos de temperatura. No la coloque en la luz directa del sol ni cerca de aberturas de aire acondicionado.



Aseguré que la balanza este situada sobre una mesa libre de vibración.



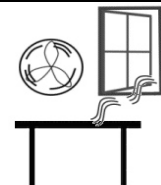
Evite fuentes de alimentación inestables. No utilice cerca de usuarios grandes de electricidad como equipos de soldar ni motores grandes. No mezcle baterías y utilice sólo el adaptador de energía aprobado suministró con la máquina. No utilice baterías y el **adaptador de DC**. al mismo tiempo.



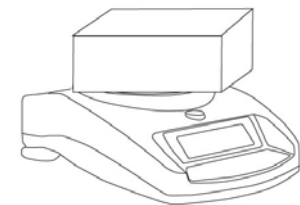
Mantenga libre de la vibración. No la coloque cerca de maquinaria pesada ni vibrante.



Evite humedad alta que quizás cause condensación. Aleje del contacto directo con agua. No rocíe ni sumerja la balanza en agua.



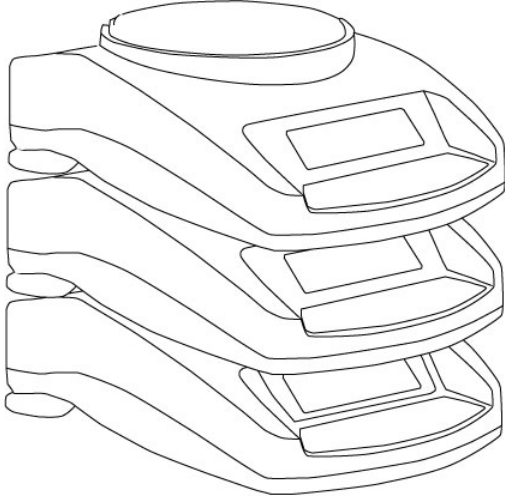
No la coloque cerca ventanas abiertas, aberturas de aire acondicionado o ventiladores que pueden causar lecturas inestables.



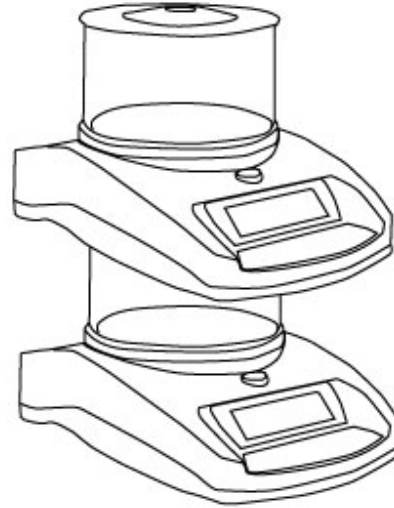
Mantenga la balanza limpia. No amontone material sobre la balanza/báscula cuando no está en el uso.

### 3.5 ALMACENANDO CUANDO NO EN USO

Si usted tiene cualquiera de la serie de Highland™ o Balanza Core™ las puede almacenar fácilmente una encima de la otra. Para ahorrar espacio y protegerlos de daño.



*Sin parabrisas*



*Con parabrisas*

**NOTA:** Sólo los modelos con el tamaño del plato de 4,8"/120mm  $\varnothing$  pueden ser amontonados para el almacenamiento. Modelos Core con platos de 5,7"/145mm  $\varnothing$  pueden ser amontonados encima de el pilar, pero balanzas adicionales no pueden ser amontonadas encima de este modelo debido al tamaño más grande del plato.

## 4.0 OPERACIÓN BÁSICA

### 4.1 ENCENDIENDO LA BALANZA

Enchufe la unidad utilizando el **adaptador DC** o las baterías

10) Pulse la tecla **[on/off]** y la balanza automáticamente indica **Cqqt-1.0** Cqqt después contara de 0 a 9 por un par de segundos. Después indica el voltaje **X.X Vol** donde x.x es el voltaje de las baterías o del **adaptador DC**. Finalmente indica "**0,00**" junto con la última unidad de pesaje seleccionado, símbolo de estabilidad, y símbolo Cero

11) La balanza está lista para el uso.

12) Para apagar la balanza después de su uso, pulse la tecla **[on/off]** otra vez. Hay una función de apague automático para ahorrar energía, esta puede ser ajustada en la sección de los parámetros.

### 4.2 AJUSTE A CERO / TARA

Usted puede pulsar la tecla **[Tara]** para ajustar un nuevo punto cero. El cero será ajustado si la lectura de la balanza es menos de 3% de la capacidad de la balanza. Esto puede ser necesario si el peso no lee cero sin peso sobre el plato. El indicador cero aparecerá encima a la izquierda del LCD.

Si usted utiliza un contenedor para pesar, colóquelo sobre la plataforma y pulse la tecla **[Tara]**, proporcionando que el peso de contenedor es más del 3% de la capacidad máxima de la balanza, el display mostrará cero y NET se iluminará en el display. Ahora puede pesar su objeto en el contenedor. Peso tarado es restado de la capacidad de la balanza total.



**NOTA:** Cuando se remueve el contenedor un valor negativo será indicado. Si la balanza fue tarada poco antes de remover el contenedor, este valor es el peso bruto del contenedor más todos los artículos dentro del contenedor que fueron removidos.

### 4.3 PESANDO

Para determinar el peso de una muestra, primero tare un contenedor vacío (si utilizado), después coloque la muestra en el contenedor. El display mostrará el peso y la unidad de peso actualmente en uso. La indicación estable se iluminará cuando la lectura sea estable.

### 4.4 UNIDADES DE PESAJE

Para cambiar las unidades de pesaje, pulse la tecla **[Unit]** para ver las unidades disponibles. Vea la sección de parámetros para permitir o incapacitar las unidades de pesaje. Al seleccionar la unidad de pesaje, el peso será demostrado en la unidad seleccionada y su símbolo será indicado.

## 5.0 PARAMETROS

La balanza tiene 3 parámetros que pueden ser ajustados por el usuario.

FUNCIÓN	SECCIÓN	DESCRIPCIÓN
Apague automático	Véase sección 5.1	Ajusta la función de auto apague
Retroiluminación	Véase sección 5.2	Ajusta la retroiluminación <b>OFF BL</b> retroiluminación esta apagada <b>1 BL</b> retroiluminación es automática <b>2 BL</b> retroiluminación esta prendida permanente
Unidad de pesaje	Véase sección 5.3	Ajusta las unidades para el uso kg – g – lb – oz – ct – dr – GN – N-tl.t

### 5.1 APAGUE AUTOMÁTICO

La función de apague automático ayuda a conservar energía cuando se usa con baterías o **adaptador de DC**. El tiempo del apague automático puede ser definido por el usuario y es el tiempo después de un período de inactividad. Es decir, sin movimiento de peso o pulsación de teclas.

- 15) Para ajustar este parámetro apague la balanza, pulse y mantenga la tecla **[Tara]** oprimida después pulse la tecla **[on/off]** una vez, después suelte la tecla **[Tara]**.
- 16) El display indicara la primera función **XX PWR**, donde **XX** es el último ajuste.
- 17) Pulse **[Tare]** para seleccionar los siguientes ajustes:

<b>Off PWR</b>	Apague automático
<b>10 PWR</b>	10 segundos antes de que se apague la unidad
<b>20 PWR</b>	20 segundos antes de que se apague la unidad
<b>30 PWR</b>	30 segundos antes de que se apague la unidad
<b>40 PWR</b>	40 segundos antes de que se apague la unidad
<b>50 PWR</b>	50 segundos antes de que se apague la unidad
<b>60 PWR</b>	60 segundos antes de que se apague la unidad
<b>70 PWR</b>	70 segundos antes de que se apague la unidad
<b>80 PWR</b>	80 segundos antes de que se apague la unidad
<b>90 PWR</b>	90 segundos antes de que se apague la unidad

- 18) Pulse la tecla **[Unit]** para confirmar los ajuste
- 19) Para salir, apague la balanza y enciéndala de nuevo

### 5.2 AJUSTANDO LA RETROILUMINACIÓN

La retroiluminación puede ser definida por el usuario. Si la retroiluminación es desactivada, la vida de batería será más larga.

Los siguientes ajustes son disponibles:

<b>1 BL</b>	Ajusta la retroiluminación a que opere automáticamente cuando un peso es colocado en sobre la balanza o una tecla es pulsada.
<b>2 BL</b>	Ajusta la retroiluminación a que opere permanentemente.
<b>OFF BL</b>	Apaga la retroiluminación.

- 19) Para ajustar este parámetro apague la balanza, pulse y mantenga la tecla **[Tara]** oprimida después pulse la tecla **[on/off]** una vez, después suelte la tecla **[Tara]**.
- 20) El display indicara la primera función **PWR**
- 21) Pulse la tecla **[Unit]** hasta que el display indique **XX BL** donde XX es el último ajuste
- 22)** Pulse la tecla **[Tare]** para seleccionar los ajustes como siguen **1 BL - 2 BL – OFF BL**
- 23) Pulse la tecla **[Unit]** para confirmar el ajuste
- 24) Para salir, apague la balanza y enciéndala de nuevo

### 5.3 ACCEDIENDO LAS UNIDADES DE PESAJE

Usted puede definir las unidades de pesaje disponible al usuario al pulsar la tecla **[Unit]** como descrito en la sección 4,4 *Unidades de pesaje*.

- 21) Para ajustar este parámetro apague la balanza, pulse y mantenga la tecla **[Tara]** oprimida después pulse la tecla **[on/off]** una vez, después suelte la tecla **[Tara]**.
- 22) El display indicara la primera función **PWR**
- 23) Pulse la tecla **[Unit]** hasta que el display indique **XX g** donde XX es el último ajuste **on** o **off**.
- 24) Pulse la tecla **[Tare]** para seleccionar **on** o **off**.
- 25) Pulse la tecla **[Unit]** para moverse a la próxima unidad de pesaje.
- 26) Repita los pasos 5 y 6 hasta que halla ajustado todas las unidades de pesaje.
- 27) Para salir, apague la balanza y enciéndala de nuevo

La mesa siguiente muestra las unidades de pesaje diferentes que son disponibles al usuario y los factores de la conversión para cada una.

Nombre de las unidades	Descripción	Factor de Conversión	Símbolo del Display
Kilogramos	Una unidad métrica estándar	0.001	Kg
Gramos	Una unidad métrica estándar	1.0	G
Libras	Unidad de pesaje estándar en UK/USA.	0.002205	Lb
Onza	Onza de Avoirdupois. 16 onzas es una libra.	0.03528	OZ
Quilates	Utilizado para pesar joyas y gemas, etc.	5.0	ct
Dram	La unidad de Avoirdupois que hay 16 DR en una onza.	0.564383	DR
Granos	Una unidad básica que pesa en el sistema imperial. Usado para pesaba pólvora.	15.432	GN
Newton	Usado para pesar fuerza	0.009808	N
Tales Taiwanés	Usado para pesar coral, perlas etc.	0.026666	TI.t

## 6.0 CALIBRACIÓN

Calibración puede ser requerida cuando la balanza es instalada inicialmente o movida a una nueva locación. Con el tiempo y el uso, desviaciones mecánicas pueden ocurrir y es recomendado calibrara la balanza regularmente para desempeño máximo.

Antes de calibrar asegure que tengan las masas correctas. Las pesas deben ser reconocidas a una certeza que es apropiada para la balanza ser calibrada, por ejemplo, de OIML de clase M1 o de tipo ASTM E617 clase 4. Si no tienen las pesas correctas no atenten la calibración.

Modelo	CQT 202	CQT 251	CQT 601	CQT 1501	CQT 2601	CQT 2000	CQT 5000
Masa de Calibración	100g ○ 200g	100g ○ 200g	200g ○ 400g ○ 600g	500g ○ 1000g ○ 1500g	1000g ○ 2000g	1000g ○ 2000g	1000g ○ 3000g ○ 5000g

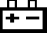
- 25) Para entrar en el parámetro de calibración apague la balanza, pulse las teclas **[Tara]** y **[Unit]** al mismo tiempo y encienda la balanza, después de que 3 segundos suelte las teclas **[Tara]** y **[Unit]**.
- 26) El display indicara **UnLOAD** remueva todos los objetos del plato.
- 27) Pulse la tecla **[Tare]** para entrar el valor cero.
- 28) El último valor utilizado para la calibración será indicado (véase la mesa encima). Para seleccionar un peso diferente de calibración, pulse la tecla **[Unit]**.
- 29) AL seleccionar la pesa de calibración para ser utilizada pulse la tecla **[Tare]**.
- 30) **LOAD** será indicado, coloque la pesa de calibración sobre el plato.
- 31) Al indicar el signo de estabilidad pulse la tecla **[Tare]**.
- 32) Si el peso está dentro del 5% del último valor de calibración el display indicará **PASS** y saldrá el modo de calibración. Si la calibración no es exitosa el display indicara **FAIL** y saldrá el modo de calibración. Si la calibración falla trate otra vez.



## 7.0 TRATAMIENTO DE PROBLEMAS

### 7.1 MENSAJES DE ERROR

Si un mensaje de error es indicado, repita el paso que causó el mensaje. Si el mensaje de error aún es indicado, contacte a su vendedor.

CÓDIGO DE ERROR	DESCRIPCIÓN	CAUSAS POSIBLES	SOLUCIONES
ADO	A/D Valor muy alto.	Peso sobre el plato al encender. Calibración incorrecta. Daño a la celda de pesaje. Daño a la electrónica.	Remueva el peso del plato. Recalibre.
ADL	A/D Valor muy bajo.	Plato no ha sido instalado antes de encender. Calibración incorrecta. Daño a la celda de pesaje.	Instale el plato y vuelva a encender. Recalibre.
-----	A/D El contaje no es correcto cuándo enciende la balanza.	Daño a la celda de pesaje. Daño a la electrónica.	Remueva el peso del plato y trate de reencender. Recalibre la balanza.
Unit-E	Unit error.		
	Indicador de baterías bajas.	Baterías no tienen carga.	Cambie las baterías.
FAIL	Fallo de la calibración.	Masa incorrecta utilizada para calibrar. La calibración del usuario no está dentro del 5% de calibración de fábrica. Daño a la celda de pesaje.	Trate de recalibrar, determine que el peso que es utilizado para calibrar es igual que el valor de la balanza.
	Maquina inestable no puede obtener un resultado estable.	Daño a la celda de pesaje.	Asegure que la balanza este en una superficie plana y lejos de vibración.
	No prende al encender.	Baterías no tienen carga. <b>Adaptador DC</b> no esta funcionando.	Cambie las baterías o use el <b>adaptador DC</b>

### 7.2 REPUESTOS Y ACCESORIOS

Si usted necesita pedir cualquier repuesto o accesorios, contacte a su vendedor o a Adam Equipment. Una lista parcial de los artículos más comunes sigue:

Numero de Parte	Descripción
4178	Adaptador DC enchufe USA 12VDC
9541	Adaptador DC enchufe UK 12VDC
9542	Adaptador DC enchufe Euro 12VDC
9543	Adaptador DC enchufe SA 12VDC
5099	Adaptador DC enchufe Australia 12VDC
9502	Plato de acero inoxidable120mm
9540	Plato de acero inoxidable145mm
9511	Tapa para el parabrisas
9510	Parabrisas (sin tapa)
9306	Cubierta mojada En-uso
8030	Cable y candado de seguridad

## 8.0 ESPECIFICACIONES

Modelo	CQT-200	CQT- 250	CQT-600	CQT-1500	CQT-2600	CQT-2000	CQT-5000
Capacidad Max.	200g	250g	600g	1500g	2600g	2000g	5000g
Legibilidad	0.01g	0.1g	0.1g	0.1g	0.1g	1g	1g
Resolución	1:20000	1:2500	1:6000	1:15000	1:26000	1:2000	1:5000
Repetibilidad (Std Dev)	0.02g	0.1g	0.1g	0.2g	0.2g	1g	1g
Linealidad ±	0.02g	0.1g	0.1g	0.2g	0.2g	1g	1g
Unidades de pesaje	kg / g / lb / oz / ct / dr / GN / N/tl.t						
Tiempo de Estabilización	3 segundos	2 segundos		3 segundos		2 segundos	
Temperatura ideal de operación	0°C a 40°C 32°F a 104°F						
Energía	12VDC 500mA Adaptador (12VDC 800mA SAfrica), o 6x AA baterías						
Calibración	Calibración al pulsad una tecla, utilizando una masa externa						
Masa de Calibración	200g	250g	600g	1500g	2000g	2000g	5000g
Display	6 dígitos LCD, 18mm dígitos, con retroiluminación						
Ara Brisas (diámetro x a)	132mm ø x 82mm (5.2" ø x 3.2")				N/A		
Carcasa	ABS Plástico						
Tamaño del plato	120mm ø (5.1" ø)				145mm ø (5.7" ø)		
Dimensiones (a x p x a)	173 x 255 x 86mm (6.8" x 10" x 3.3") Sin parabrisas						
Peso bruto	820g (1.8lb)						

## 9.0 CERTIFICADO DE CALIBRACIÓN

The logo for Adam Equipment, featuring the letters 'AE' in a stylized, bold, italicized font, followed by the word 'ADAM' in a similar font with a registered trademark symbol (®) to its upper right.

### *Certificate of Calibration*

This is to certify that the Core Balance™ series manufactured and distributed by Adam Equipment at the time of manufacturing passed calibration tests to the tolerances as outlined in the specifications section of this manual. Outside influences that may affect the calibration since that time may cause a change in the calibration data. We therefore recommend that a calibration is performed onsite and that regular calibration is undertaken.

Calibration Weights: The weights used to calibrate by the factory met ASTM / OIML standards and were accurate to OIML Class M1 / ASTM Class 4

Calibration Standards: Factory calibration was performed as described in the calibration section of this manual

## 10.0 GARANTÍA

Adam Equipment ofrece Garantía Limitada (Partes y Mano de obra) para los componentes que fallan debido a defectos en materias o ensamblaje. La garantía comienza de la fecha de entrega.

Durante el período de garantía, si cualquier reparación es necesaria, el cliente debe informar el suministrador o a Adam Equipment. La compañía o su Técnico autorizado reservan el derecho de reparar o reemplazar cualquier componente a su propia discreción. Cualquier costo de envíos implicados en la envía de las unidades defectuosas a un centro de reparaciones son la responsabilidad de clientes.

La garantía será anulada si el equipo no es devuelto en el embalaje original y con la documentación correcta para ser un reclamo procesado. Todos reclamos están en la única discreción de Adam Equipment.

Esta garantía no cubre equipos donde defectos o el rendimiento bajo es debido maltrato, daño accidental, exposición a materiales radioactivos o corrosivos, la negligencia, instalación defectuosa, modificaciones sin autorización, reparación o fallo de seguir los requisitos y las recomendaciones procuradas como están en al Manual de Usuario.

Las reparaciones llevadas a cabo bajo la garantía no extiende el período de garantía. Los componentes removidos durante las reparaciones de garantía llegan a ser la propiedad de la compañía.

El derecho reglamentario del comprador no es afectado por esta garantía. Los términos de esta garantía son gobernados por la ley de Inglaterra. Para detalles completos en la Información de Garantía, vea los términos y las condiciones de venta disponible en nuestra página Web.

ADAM EQUIPMENT es una organización global certificada con un ISO 9001:2008 con más de 40 años de experiencia en la producción y venta de equipo electrónico para cálculo de peso. Los productos son vendidos a través de una red mundial de distribuidores apoyada por las localizaciones de la compañía en el Reino Unido, Alemania, Estados Unidos y Sudáfrica.

Los productos de ADAM están predominantemente diseñados para los siguientes segmentos de Mercado: Laboratorios, Educativo, Médico y Industrial. El abanico de productos es el siguiente:

- Balanzas Analíticas y de Precisión para Laboratorios.
- Balanzas de precisión para centros educativos.
- Balanzas de conateje para aplicaciones industriales y en almacenes.
- Balanzas digitales de pesaje y de control de peso.
- Balanzas y plataformas de alta calidad con características de programación extensa incluyendo cuenta de partes, peso en porcentaje, etc.
- Balanzas digitales electrónicas para uso médico.
- Balanzas comerciales.

© Copyright by Adam Equipment Co. Ltd. Todos los derechos reservados. Ninguna parte de esta publicación puede ser reimpressa o traducida de ninguna forma o a través de ningún medio sin la previa autorización de Adam Equipment.

Adam Equipment se reserva el derecho de hacer cambios en la tecnología, características, especificaciones y diseño de su equipamiento sin previo aviso.

Toda la información contenida en esta publicación está al máximo de actualizada, completa y precisa. No obstante, no nos responsabilizamos de los errores de interpretación que pueden resultar de leer este material.

La última versión de esta publicación puede ser encontrada en nuestra página web.



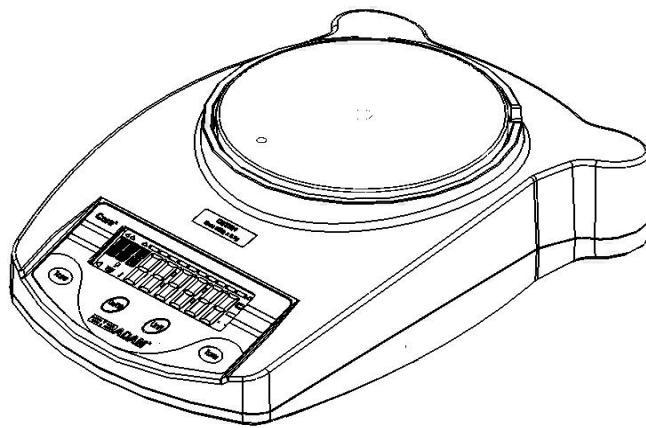
**ADAM**

Adam Equipment

# Serie "CORE" - CQT

## MANUALE D'ISTRUZIONE

(P.N. 3.08.6.6.9539, Revision B5, Marzo 2017)





**Dati strumento:**

Modello:	
Numero di serie:	
Revisione software (Appare all'accensione):	
Data di acquisto:	
Dati fornitore:	



## INDICE

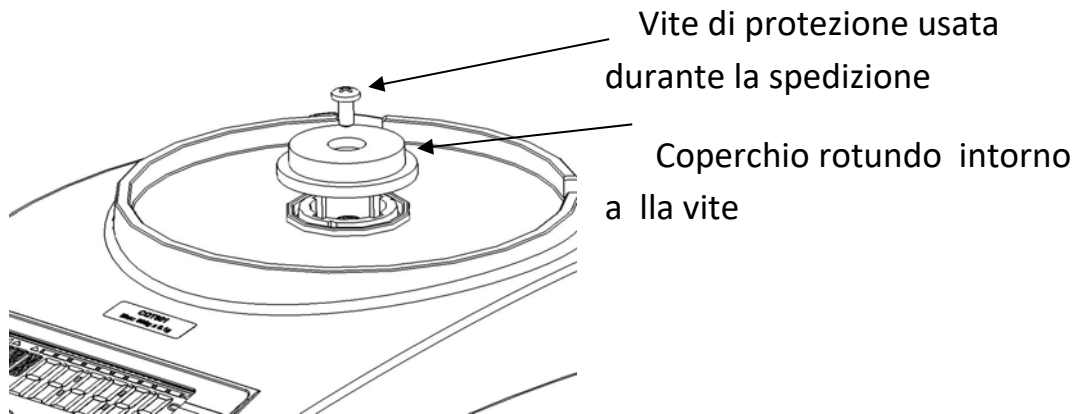
1.0 CONTENUTO .....	77
2.0 INSTALLAZIONE .....	78
2.1 DISIMBALLO E INSTALLAZIONE DELLA BILANCIA.....	78
2.2 INSTALLAZIONE BATTERIE.....	79
2.3 DISPLAY/TASTIERA .....	79
2.4 POSIZIONARE E PROTEGGERE LA BILANCIA: .....	81
2.5 MAGAZZINAGGIO QUANDO NON IN USO.....	82
3.0 OPERAZIONI DI BASE .....	83
3.1 ACCENSIONE .....	83
3.2 AZZERAMENTO / INSERIMENTO TARA.....	83
3.3 PESATURA.....	83
3.4 UNITÀ DI PESO .....	83
4.0 PARAMETRI.....	84
4.1 AUTOSPEGNIMENTO .....	84
4.2 IMPOSTAZIONE DELLA RETROILLUMINAZIONE.....	85
4.3 ATTIVAZIONE DELLE UNITÀ DI PESO .....	85
5.0 CALIBRATURA.....	87
6.0 RISOLUZIONE DI PROBLEMI .....	88
6.1 MESSAGGI DI ERRORE .....	88
6.2 PEZZI DI RICAMBIO E ACCESSORI, .....	89
7.0 SPECIFICHE TECNICHE .....	90
INFORMAZIONE DI GARANZIA.....	91



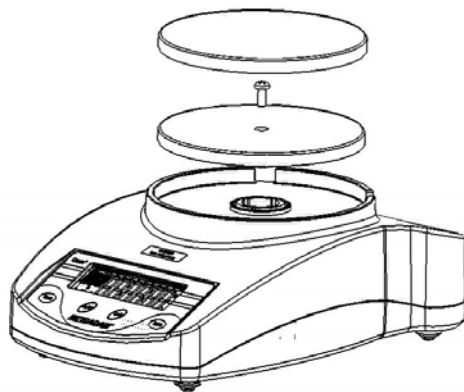
## 2.0 INSTALLAZIONE

### 2.1 DISIMBALLO E INSTALLAZIONE DELLA BILANCIA

1) Rimuovere la vite e coperchio di protezione usata durante la spedizione, come mostrato utilizzando la chiave Allen fornita nel sacchetto in plastica. (Si consiglia di conservare la vite e il coperchio di protezione con la scatola per un'eventuale spedizione futura)



2) Mettere il piatto (imballato separatamente) nel ricettacolo del coperchio.



Posizionare con cautela il supporto di plastica nel ricettacolo e fissarlo con la vite fornita. Fare attenzione di non serrare la vite con troppa forza per non danneggiare la cellula di carico. Si dovrebbe essere in grado di fissare la vite in modo leggero.

3) Posizionare il piatto in acciaio inossidabile sulla parte superiore della vaschetta in plastica.

4) Installare la bilancia su una superficie piana per una pesatura accurata.

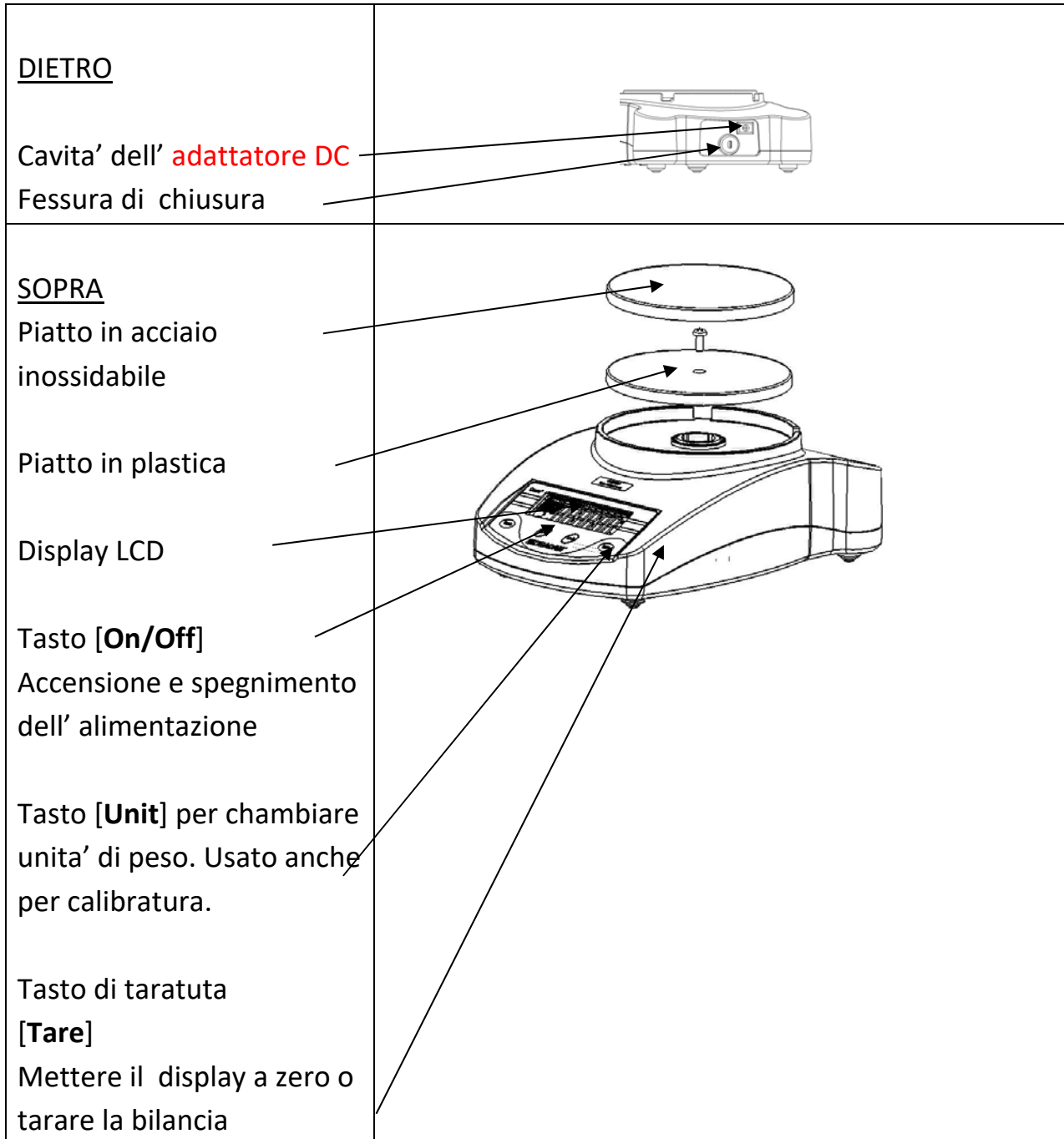




## 2.2 INSTALLAZIONE BATTERIE

Rimuovere il coperchio dal compartimento delle batterie e inserire sei batterie (R6P/LR6/AA)

## 2.3 DISPLAY/TASTIERA



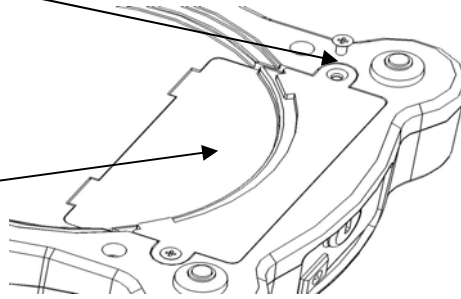


## FONDO


Viti per il compartimento batterie

Coperchio per il compartimento batterie

(Batterie non sono incluse)

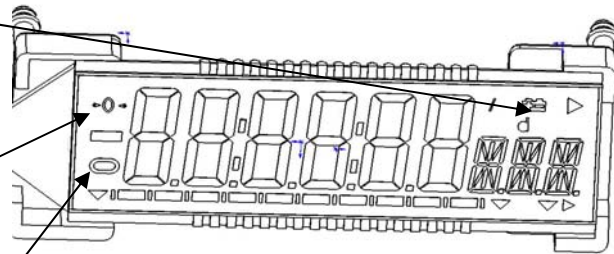


## DISPLAY

 Indicatore di batteria

Indicatore ZERO indica quando lo zero della bilancia e' corretto

Indicatore STABLE indica quando la lettura e' stabile





## 2.4 POSIZIONARE E PROTEGGERE LA BILANCIA:

Perché la bilancia funzioni al meglio, si consiglia quanto segue:



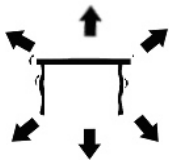
Evitare temperature estreme. Non esporre alla luce diretta del sole o in prossimità di ventole per il condizionamento dell'aria



Evitare piani instabili. Il piano di appoggio o il pavimento devono essere rigidi e non vibrare



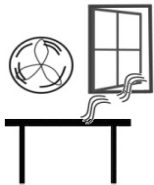
Quando si spegne la bilancia premendo (ON/OFF) la potenza non è completamente isolata. Scollegare il cavo di alimentazione, se non sarà utilizzato per un lungo periodo - Evitare alimentazioni instabili. Non usare vicino a macchine ad alto assorbimento come attrezzature per saldatura o grandi motori. Non lasciare che la batteria si scarichi completamente – in caso di non utilizzo per periodi prolungati, ricaricare periodicamente la batteria per assicurarsi che non perda la carica



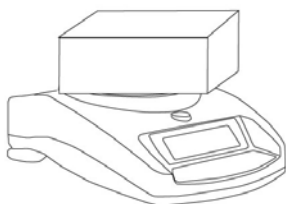
Non collocare vicino a macchinari che producono vibrazioni



Evitare umidità che possa causare condensa. Non mettere in contatto direttamente con acqua. Non spruzzare o immergere la macchina in acqua



Non collocare vicino a finestre aperte o ventole per il condizionamento dell'aria che potrebbero causare letture instabili a causa delle correnti d'aria

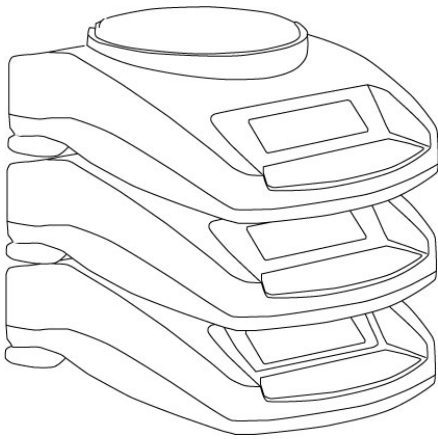


Mantenere le bilance pulite e non accatastarvi materiale sopra quando non sono in uso. Il CORE ha la caratteristica che permette di accatastare un'unità sull'altra. (Per ulteriori informazioni, consultare la sezione 2.5 MAGAZZINAGGIO.)

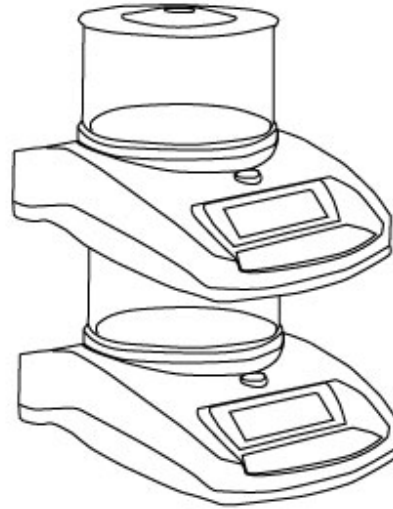


## 2.5 **MAGAZZINAGGIO QUANDO NON IN USO**

Tutte le bilance della serie CORE possono essere riposte facilmente una sopra l'altra per consentire risparmio di spazio e proteggerle da eventuali danni.



Senza paravento



Con paravento

**Nota:** Solamente modelli con piatto di 120mm di dimensioni possono essere impilati per il magazzino. Modelli con piatto di 145mm possono essere posati in cima alla pila ma le bilance non possono essere impilate su di essi a causa della maggiore del piatto.)



## 3.0 OPERAZIONI DI BASE

### 3.1 ACCENSIONE

Installare **adattatore DC** o usare le batterie.

13) Premere il pulsante **On/Off** e la bilancia mostrerà automaticamente **Cqt- 1.0 Cqt** quindi contare da 0 a 9 per pochi secondi, e verrà mostrata la tensione **X. X Vol** dove x.x è il voltaggio della batteria o **l'adattatore DC**. Infine, verrà visualizzato il messaggio " 0,00 " con l'ultima unità di peso selezionato,, simbolo di stabilità e simbolo di zero.

14) La bilancia è pronta per essere utilizzata.

3) Per disattivare la bilancia dopo l'uso premere il tasto **On/Off** ancora una volta. (Una funzione di spegnimento automatico è disponibile e può essere impostato nella sezione 4.0 PARAMETRI)

### 3.2 AZZERAMENTO / INSERIMENTO TARA

È possibile premere il tasto [**Tara**] per impostare un nuovo punto zero. Zero sarà emesso se la lettura della bilancia è inferiore al 3% della capacità. Questo può essere necessario se il peso indicato non è zero col piatto vuoto. L'indicatore di zero verrà visualizzato nell'angolo in alto a sinistra del display LCD.

Se si utilizza un contenitore per pesare è possibile inserire questo sulla piattaforma e premere il tasto [**Tara**] e se il peso del contenitore è superiore al 3% della capacità massima della bilancia, il display visualizza zero e NET si illumina sul display. È quindi possibile pesare la materia nel contenitore. Il peso di tara viene sottratto dalla capacità totale della bilancia.



**Nota:** Quando il contenitore viene rimosso un valore negativo è indicato. Se la bilancia è stata tarata poco prima di rimuovere il contenitore, questo valore è il peso lordo del contenitore più tutti i contenuti che sono stati rimossi.

### 3.3 PESATURA

Per determinare il peso di un campione, in primo luogo tarare un contenitore vuoto (se utilizzato), quindi posare il campione nel contenitore. Il display visualizzerà il peso e l'unità di peso attualmente in uso. L'indicatore di stabilità si illuminerà quando il valore è stabile.

### 3.4 UNITÀ DI PESO

Per cambiare l'unità di peso, premere [Unit] per scorrere attraverso le unità disponibili. Vedere la sezione PARAMETRI per abilitare o disabilitare l'unità di peso. Una volta che l'unità è stata selezionata, il peso verrà visualizzato nel gruppo selezionato e un simbolo per il peso sarà mostrato.



## 4.0 PARAMETRI

La bilancia ha 3 parametri che possono essere utilizzati dall'utente

FUNZIONE	SEZIONE	DESCRIZIONE
Auto spegnimento	Vedere sezione 5.1	Mettere la funzione di spegnimento POWER OFF
Retro illuminazione	Vedere sezione 5.2	Attivare la retroilluminazione <b>OFF BL</b> Retroilluminazione spenta OFF <b>1 BL</b> Retroilluminazione AUTOMATICA <b>2 BL</b> Retroilluminazione sempre accesa ON
Unita' di peso	Vedere sezione 5.3	Mettere l'unita' da usare: kg – g – lb – oz – ct – dr – GN – N-tl.t

### 4.1 AUTOSPEGNIMENTO

La funzione di spegnimento automatico consente di risparmiare energia quando si utilizzano batterie o adattatore CA. Il tempo per lo spegnimento automatico può essere impostato dall'utente ed è il tempo dopo un periodo di inattività cioè senza alcun movimento di peso o pressione sui tasti.

- 20) Per impostare questo parametro spegnere l'alimentazione, premere e tenere premuto il tasto [**Tare**] quindi premere il tasto [on/off] una volta e quindi rilasciare il tasto [**Tare**].
- 21) Il display visualizzerà la prima funzione XX **PWR**, dove XX è l'ultima impostazione.
- 22) Premere [Tara] per selezionare le impostazioni di seguito:

<b>Off PWR</b>	Spegnimento di energia automatica
<b>10 PWR</b>	10 secondi prima che l'energia si spenga
<b>20 PWR</b>	20 secondi prima che l'energia si spenga
<b>30 PWR</b>	30 secondi prima che l'energia si spenga
<b>40 PWR</b>	40 secondi prima che l'energia si spenga
<b>50 PWR</b>	50 secondi prima che l'energia si spenga
<b>60 PWR</b>	60 secondi prima che l'energia si spenga
<b>70 PWR</b>	70 secondi prima che l'energia si spenga
<b>80 PWR</b>	80 secondi prima che l'energia si spenga
<b>90 PWR</b>	90 secondi prima che l'energia si spenga

- 4) Premere il tasto [**Unit**] per confermare l'impostazione.



5) Per uscire dall'impostazione spegnere e riaccendere la bilancia.

#### 4.2 IMPOSTAZIONE DELLA RETROILLUMINAZIONE

La retroilluminazione può essere attivata o disattivata dall'utente. Se la retroilluminazione è disattivata, la durata delle batterie sarà maggiore.

Sono disponibili le seguenti impostazioni:

<b>1 BL</b>	Imposta la retroilluminazione a funzione automatica quando il peso è posto sulla bilancia o un tasto viene premuto
<b>2 BL</b>	Imposta la retroilluminazione continua.
<b>OFF BL</b>	Imposta la retroilluminazione su spegnimento.

- 1) Per impostare questo parametro spegnere l'alimentazione, premere e tenere premuto il tasto [**Tare**], premere il tasto [**on/off**] una volta, quindi rilasciare il tasto [**Tare**].
- 2) Sul display verrà visualizzata la prima funzione PWR
- 3) Premere il tasto [**Unit**] fino a che il display mostra **XX BL** dove XX è l'ultima messa a punto.
- 4) Premere il tasto [**Tara**] per selezionare le impostazioni seguenti **1 BL - 2 BL - BL**
- 5) Premere il tasto [**Unit**] per confermare l'impostazione
- 6) Per uscire dall'impostazione spegnere e riaccendere la bilancia

#### 4.3 ATTIVAZIONE DELLE UNITÀ DI PESO

Si può attivare e disattivare le unità di peso a disposizione dell'utente quando si preme il tasto [**Unit**]. Come descritto nella sezione 4.4 unità di peso.

- 28) Per impostare questo parametro spegnere la bilancia, premere e tenere premuto il tasto [**Tare**], premere il tasto [**on/off**] una volta, quindi rilasciare il tasto [**Tare**].
- 29) Il display visualizzerà la prima funzione PWR



- 30) Premere il tasto [**Unit**] fino a quando il display mostra XX g dove XX l'ultima impostazione aperta (On) o chiusa (Off).
- 31) Premere il tasto [**Tare**] per selezionare aperto o chiuso
- 32) Premere il tasto [**Unit**] per passare alla successiva unità di peso.
- 33) Ripetere i passaggi 5 e 6 fino ad impostare tutte le unità di peso.
- 34) Per uscire spegnere e riaccendere la bilancia.

La seguente tabella mostra le diverse unità di peso che sono disponibili per l'utente e i fattori di conversione per ciascuno di essi.

<b>Nome delle unità'</b>	<b>Descrizione</b>	<b>Fattore di conversione</b>	<b>Simbolo del display</b>
Chilogrammi	Unità metrica standard	0.001	Kg
Grammi	Unità metrica standard	1.0	G
Libbra	Unità di peso standard per UK/USA.	0.002205	Lb
Oncia	Avoirdupois oncia. 16 oncie uguale a una libbra.	0.03528	OZ
Carato	Usato per pesare gioielli e pietre preziose ,etc.	5.0	ct
Dramma	Unità avoirdupois eguale a 16 DR	0.564383	DR
Grano	Unità di peso base nel sistema imperiale. Usato per pesare polvere da sparo.	15.432	GN
Newtone	Usato per misurare forza.	0.009808	N
Tael taiwanese	Usato per pesare d'coralli, perle etc.	0.026666	TI.t





## 5.0 CALIBRATURA

La calibratura può essere necessaria quando la bilancia viene inizialmente installata o spostata in una nuova località. Con il tempo e l'uso possono verificarsi deviazioni meccaniche così si consiglia di calibrare la bilancia regolarmente per ottimizzarne le prestazioni.

Prima di calibrare bisogna assicurarsi di avere i pesi corretti. I pesi dovrebbero essere riconosciuti con una precisione che è appropriata per la bilancia da calibrare ad esempio, OIML Classe tipo M1 o ASTM E617 Classe 4. Se non c'è il peso corretto non tentare la calibratura.

Modello	CQT 202	CQT 251	CQT 601	CQT 1501	CQT 2601	CQT 2000	CQT 5000
Peso di calibratura	100g	100g	200g	500g	1000g	1000g	1000g
	Or	Or	Or	Or	Or	Or	Or
	200g	200g	400g Or 600g	1000g Or 1500g	2000g	2000g	3000g or 5000g


- 1) Per calibrare inserire energia e accendere la bilancia e mentre il display scorre attraverso la procedura di prova premere i tasti [**Tare**] e [**Unit**] contemporaneamente, quindi rilasciare dopo 1 secondo.
- 2) Il display mostrerà **Unload** quindi rimuovere ogni oggetti dal piatto.
- 3) Premere il tasto [**Tare**] per entrare un valore zero.
- 4) l'ultimo valore utilizzato per la calibratura sarà visualizzato (vedi tabella sopra). Per selezionare un diverso peso di calibratura, premere il tasto [**Unit**].
- 5) Una volta che avete selezionato il peso di calibratura premere il tasto [**Tare**].
- 6) **Quando LOAD** verrà visualizzato, inserire il peso di calibratura sul piatto.
- 7) Una volta che il segno di stabilità è visualizzato, premere il tasto [**Tare**].
- 8) Se il peso è entro il 5% dell'ultimo valore di calibratura il display visualizza **PASS** e esce dalla modalità di calibratura. Se la calibrazione non è avvenuta il display mostrerà **FAIL** e uscirà dalla modalità di calibratura e se la calibratura fallisce provare nuovamente.



## 6.0 RISOLUZIONE DI PROBLEMI

### 6.1 MESSAGGI DI ERRORE

SE C'E' UN MESSAGGIO DI ERRORE , RIPETERE L'OPERAZIONE CHE HA CAUSATO IL MESSAGGIO. SE IL MESSAGGIO DI ERRORE È ANCORA PRESENTE, CONTATTARE IL RIVENDITORE PER RICEVERE ASSISTENZA.

CODICE DI ERRORE	DESCRIZIONE	CAUSE POSSIBILIE	SOLUZIONI
<b>ADO</b>	Il valore di A/D troppo alto.	Peso sul piatto al tempo di accensione. Calibratura sbagliata della bilancia. Cellula di carica danneggiata. Elettronica danneggiata.	Rimuovere qualsiasi peso dal piatto in acciaio inossidabile. Ricalibrate
<b>ADL</b>	Il valore di A/D troppo basso	Il piatto non e' installato quando la bilancia e' messa in moto. Calibratura non corretta Cellula di carica danneggiata..	Installare il piatto e rimettere l'energia.  Ricalibrare.
<b>-----</b>	Il conteggio di A/D non e' corretto quando la bilancia e' messa in moto.	Cellula di carica danneggiata. Elettronica danneggiata.	Rimuovere qualsiasi peso dal piatto in acciaio inossidabile e riaccendere la bilancia. Cercare di calibrare la bilancia.
<b>Unit-E</b>	Errore di Unità'.		
	Indicatore di bassa batteria	Le batterie possono essere scariche.	Caricare le batterie.
<b>FAIL</b>	Errore di calibratura.	Peso Incorretto usato per la calibratura. La calibratura non e' entro il limite del 5% specificato dalla fabbrica. Possibile danno alla cellula di carico.	Provare di ricalibrare e controllare che il peso usato corrisponda al valore della bilancia.
	La bilancia non puo' dare lettura stabile.	Possibile danno alla cellula di carico.	Controllare che la bilancia sia posata su una superfice piate lontana da vibrazioni.
	Nessun energia all'accensione	La batteria puo' essere bassa.o <b>adattore DC</b> inattivo.	Cambiare le batterie o usare <b>adattatore DC</b> .



## 6.2 PEZZI DI RICAMBIO E ACCESSORI,

Se necessario ordinare pezzi di ricambio e accessori. Rivolgersi al fornitore o ADAM.  
Una lista parziale degli elementi piu' comuni, segue:

Codice	Descrizione
7.00.4.0.0023	Adattatore standard modello 12VDC 500mA - UK
7.00.4.0.0024	Adattatore standard modello 12VDC 500mA - USA
7.00.4.0.0025	Adattatore standard modello 12VDC 500mA - OZ
7.00.4.0.0026	Adattatore standard modello 12VDC 500mA - EURO
7.00.4.0.0027	Adattatore standard modello 12VDC 800mA - SA
3.08.1.2.2009	Piatto 120mm
3.08.1.2.2011	Piatto 145mm
3.08.2.3.2031	Paravento con coperchio
3.08.2.3.2033	Copertura
7.00.1.0.0046	Serratura di sicurezza e cavo.



## 7.0 SPECIFICHE TECNICHE

Model #	CQT-202	CQT- 251	CQT-601	CQT-1501	CQT-2601	CQT-2000	CQT-5000
Capicita' massima	200g	250g	600g	1500g	2600g	2000g	5000g
Precisione	0.01g	0.1g	0.1g	0.1g	0.1g	1g	1g
Risoluzione	1:20000	1:2500	1:6000	1:15000	1:26000	1:2000	1:5000
Ripetibilita' (Std Dev)	0.02g	0.1g	0.1g	0.2g	0.2g	1g	1g
Linearita' ±	0.02g	0.1g	0.1g	0.2g	0.2g	1g	1g
Unita di misura	kg / g / lb / oz / ct / dr / GN / N/tl.t						
Tempo di stabilizzazione	3 secondi	2 secondi		3 secondi		2 secondi	
Temperatura di utilizzo	0°C to 40°C 32°F to 104°F						
Alimentazione	12VDC 500mA adattore (12VDC 800mA SA) o 6x AA batterie						
Calibratura	Bottone di calibratura con uso di peso esterno						
Peso di calibratura	200g	250g	600g	1500g	2000g	2000g	5000g
Display	6 digitale LCD, 18mm digitale con retroilluminazione						
Paravento (diametri x h)	132mm ø x 82mm (5.2" ø x 3.2")				N/A		
Custodia	ABS Plastica						
Misura del piatto	120mm ø (4.7" ø)				145mm ø (5.7" ø)		
Dimensioni (larg.xpro.xalt.)	173 x 255 x 86mm (6.8" x 10" x 3.4") Senza paravento						
Peso netto	820g (1.8lb)						



## INFORMAZIONE DI GARANZIA

ADAM Equipment offre una Garanzia Limitata (Parti di ricambio e mano d'opera) per i componenti che non funzionano a causa di difetti in materiale o di lavorazione.

La garanzia decorre dalla data di consegna.

Durante il periodo di garanzia qualora si renda necessaria una riparazione l'acquirente deve informare il fornitore o ADAM Equipment. L'impresa o il suo tecnico autorizzato si riservano il diritto di riparare o sostituire i componenti sul posto dell'acquirente o in una delle officine ADAM a seconda della gravità dei problemi a nessun costo aggiuntivo. Tuttavia le spese relative all'invio delle parti difettose al centro di assistenza sono a carico dell'acquirente.

La garanzia cesserebbe di funzionare se l'apparecchiatura non venisse restituita in confezione originale e con una corretta documentazione per validare il reclamo. Tutti i reclami sono alla sola discrezione di ADAM Equipment.

Questa garanzia non si applica ad apparecchiature con difetti dovuti ad un uso improprio, danni accidentali, esposizione a materiali radioattivi, negligenze, installazione difettosa, modifiche non autorizzate o tentativi di riparazione, il mancato rispetto delle prescrizioni o raccomandazioni fornite in questo manuale. Il prodotto può contenere una batteria ricaricabile che è stata progettata per essere rimossa e sostituita da parte dell'utente. ADAM Equipment garantisce la fornitura di una batteria di ricambio se quest'ultima si manifesta difettosa di materiale o di fabbricazione durante il periodo iniziale di utilizzo del prodotto nel quale sia stata installata una batteria.

Come in tutte le batterie, la capacità massima diminuisce con il tempo o l'uso e il ciclo di vita di una batteria può variare a seconda del modello, la configurazione, utilizzazione e della corrente d'alimentazione. Una diminuzione della capacità massima della batteria o ciclo di vita della stessa non è un difetto del materiale o di lavorazione e non è coperta dalla garanzia limitata. Riparazione effettuata durante la garanzia non estende la garanzia. Componenti rimossi durante le riparazioni diventano proprietà dell'azienda.

I diritti legali del cliente non vengono influenzati da questa garanzia. In caso di disputa i termini di questa garanzia sono governati dalla legge del Regno Unito (UK). Per dettagli completi della garanzia consultare i termini e le condizioni di vendita disponibili sul nostro sito: [www.adamequipment.com](http://www.adamequipment.com)

ADAM EQUIPMENT è un'azienda con certificazione ISO 9001:2008 globale con più di 40 anni di esperienza nella produzione e vendita di apparecchiature elettroniche.

I prodotti sono venduti attraverso una rete di distribuzione mondiale supportata da aziende ADAM in UK (Ufficio Centrale), Germania, USA, Sud Africa, Australia e Cina.

I prodotti ADAM sono venduti prevalentemente per laboratorio, educazione, sanitari e segmenti industriali.

La gamma dei prodotti può essere descritta come segue:

- Bilance analitiche e di precisione
- Bilance compatte e portatili
- Bilance ad alta capacità
- Bilance per analisi di umidità
- Bilance meccaniche
- Bilance contapezzi
- Bilance per controllo peso digitale
- Piattaforme per elevate prestazioni
- Bilance gru
- Bilance peso persone e animali
- Bilance commerciali

© Copyright di ADAM Equipment Ltd.

Nessuna parte di questa pubblicazione può essere ristampata o tradotta in qualsiasi forma o con alcun mezzo senza la previa autorizzazione di Adam.

Adam Equipment si riserva il diritto di apportare modifiche alla tecnologia, caratteristiche, specifiche e progettazione delle apparecchiature senza alcun preavviso.

Tutte le informazioni contenute in questa pubblicazione sono al meglio della nostra conoscenza attuale, completa e precisa al momento del rilascio. Tuttavia, noi non siamo responsabili per interpretazioni che potrebbero derivare dalla lettura di questo materiale.



### **CERTIFICATO DI CALIBRATURA.**

La bilancie fabbricate e distribuite da ADAM Equipment, al momento della fabbricazione ha superato le prove di calibratura per le tolleranze indicate in questo manuale. Le influenze esterne possono influenzare la calibratura, in quanto il tempo può determinare un cambiamento dei dati. Si raccomanda pertanto che venga eseguita una calibratura sul posto e periodicamente

Peso di calibratura: I pesi utilizzati dalla fabbrica per calibrare corrispondono allo standard ASTM/OIML e corrispondono alla OIML classe M1/ASTM classe 4

Standard di calibratura: La calibratura dalla fabbrica è stata effettuata come descritto in sezione calibratura di questo manuale.



### ***Certificate of Calibration***

This is to certify that the **Core™** series of balances manufactured and distributed by Adam Equipment at the time of manufacturing passed calibration tests to the tolerances as outlined in the specifications section of this manual. Outside influences that may affect the calibration since that time may cause a change in the calibration data. We therefore recommend that a calibration is performed onsite and that regular calibration is undertaken.

Calibration Weights: The weights used to calibrate by the factory met ASTM / OIML standards and were accurate to OIML Class M1 / ASTM Class 4

Calibration Standards: Factory calibration was performed as described in the calibration section of this manual

## WEEE 2012/19/EU



This device may not be disposed of in domestic waste. This also applies to countries outside the EU, per their specific requirements. Disposal of batteries (if fitted) must conform to local laws and restrictions.

Cet appareil ne peut être éliminé avec les déchets ménagers. L'élimination de la batterie doit être effectuée conformément aux lois et restrictions locales.

Dieses Gerät nicht mit dem Hausmüll entsorgt.

Dispositivo no puede ser desechado junto con los residuos domésticos

Dispositivo non può essere smaltito nei rifiuti domestici.

### FCC / IC CLASS A DIGITAL DEVICE EMC VERIFICATION STATEMENT

NOTE: This equipment has been tested and found to comply with the limits for a Class A digital device, pursuant to Part 15 of the FCC rules and Canadian ICES-003/NMB-003 regulation. These limits are designed to provide reasonable protection against harmful interference when the equipment is operated in a commercial environment. This equipment generates, uses and can radiate radio frequency energy and, if not installed and used in accordance with the instruction manual, may cause harmful interference to radio communications. Operation of this equipment in a residential area is likely to cause harmful interference in which case the user will be required to correct the interference at his own expense.



Adam Equipment products have been tested with, and are always supplied with mains power adaptors which meet all legal requirements for the intended country or region of operation, including electrical safety, interference and energy efficiency. As we often update adaptor products to meet changing legislation it is not possible to refer to the exact model in this manual. Please contact us if you need specifications or safety information for your particular item. Do not attempt to connect or use an adaptor not supplied by us.









**ADAM EQUIPMENT** is an ISO 9001:2008 certified global company with more than 40 years' experience in the production and sale of electronic weighing equipment.

Adam products are predominantly designed for the Laboratory, Educational, Medical, retail and Industrial Segments. The product range can be described as follows:

- Analytical and Precision Balances
- Compact and Portable Balances
- High Capacity Balances
- Moisture analysers / balances
- Mechanical Scales
- Counting Scales
- Digital Weighing/Check-weighing Scales
- High performance Platform Scales
- Crane scales
- Medical Scales
- Retail Scales for Price computing


© Copyright by Adam Equipment Co. Ltd. All rights reserved. No part of this publication may be reprinted or translated in any form or by any means without the prior permission of Adam Equipment.

Adam Equipment reserves the right to make changes to the technology, features, specifications and design of the equipment without notice.

All information contained within this publication is to the best of our knowledge timely, complete and accurate when issued. However, we are not responsible for misinterpretations which may result from the reading of this material.

The latest version of this publication can be found on our Website.