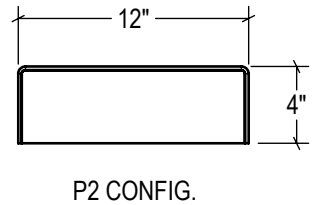
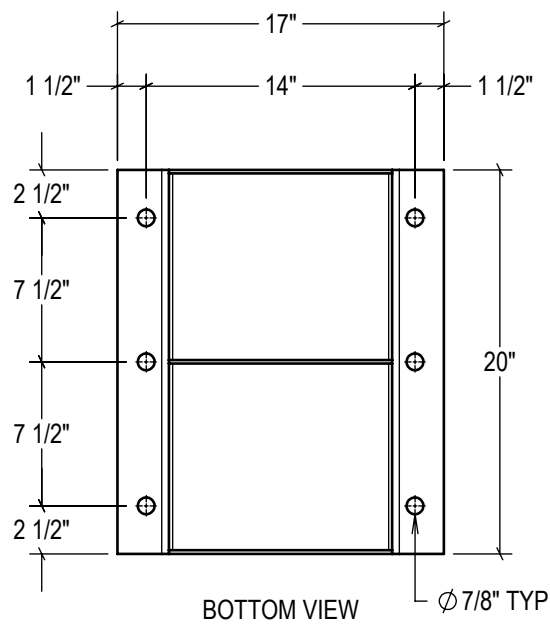
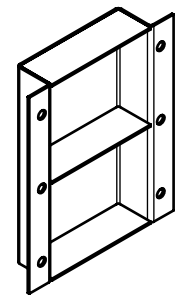
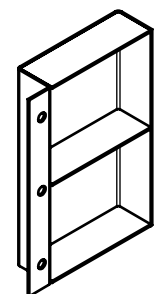


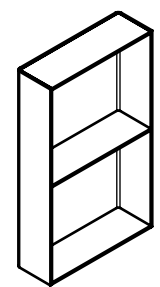
STANDARD
model #: 4x20
part #: -
Bolted (2) Sides



P1 CONFIG.
model #: 4x20/P1
part #: -
Welded (1) Side



P2 CONFIG.
model #: 4x20/P2
part #: -
Welded (2) Sides



ESTIMATED GROSS SHIPPING WEIGHT = 27 LBS

SPECIFICATIONS: -	DRAWN BY: T.CHUNG	DATE: 2019-02-06	 3rd Angle SIZE: A	 IDEAL WAREHOUSE INNOVATIONS INC
	CHECKED BY:	DATE:		
ALL DIMENSIONS ARE $\pm 1/8"$ UNLESS SPECIFIED OTHERWISE	THE INFORMATION CONTAINED IN THIS DRAWING IS THE SOLE PROPERTY OF IDEAL WAREHOUSE INNOVATIONS INC. ANY REPRODUCTION IN PART OR AS A WHOLE IS PROHIBITED.		DESCRIPTION: STEEL BUMPER EXTENSION BRKT 4x20	
	SCALE: 1:10	SHEETS: 1 of 1	DRAWING NUMBER: MKT_4x20	REV: 0