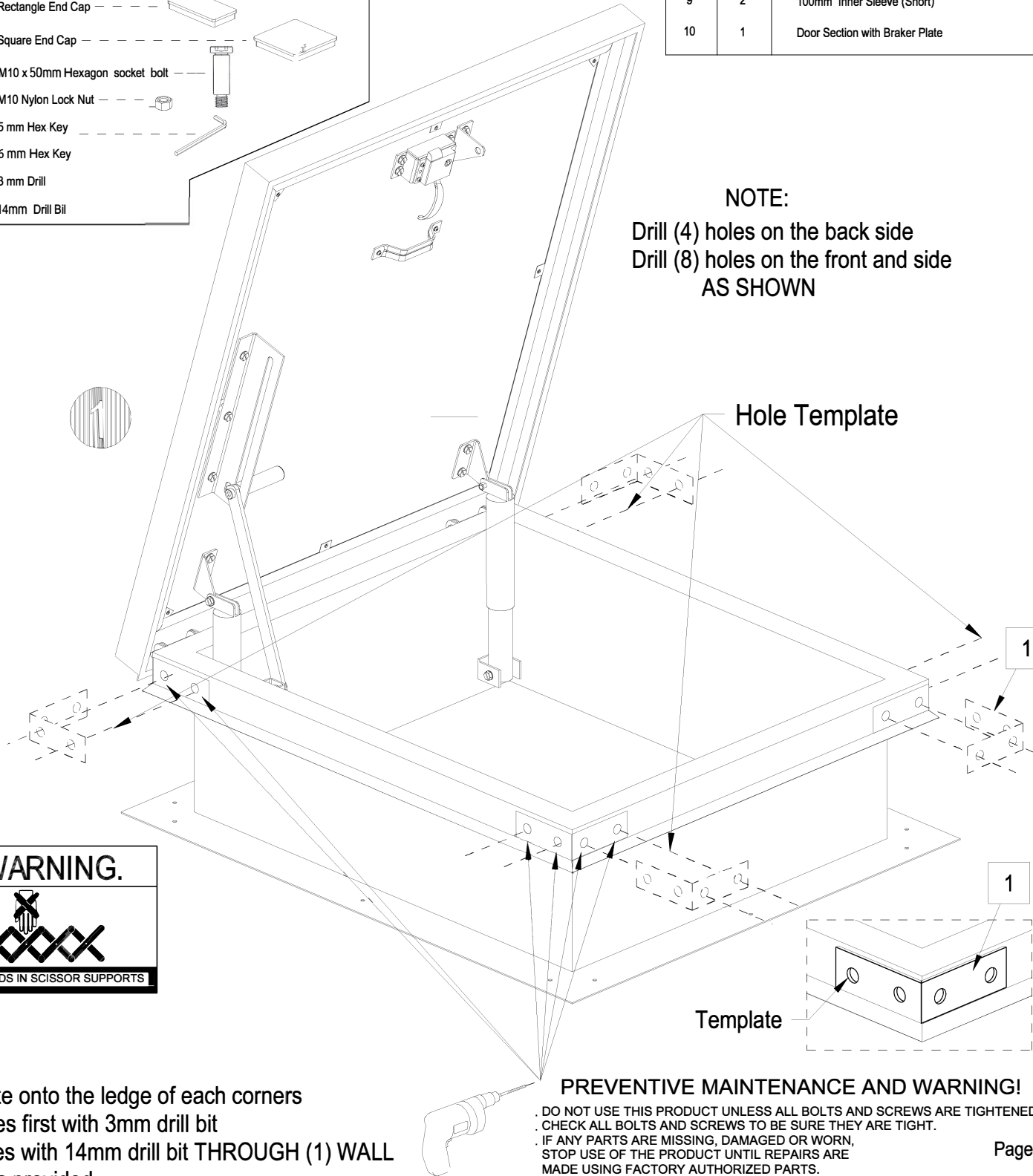


Roof Hatch Safety Rail
Model 713159
Assembly instruction

Contents		
Ref.	Qty.	Description
H1	12	M12 x 1.75 x 30mm Lg. Hex Head Bolt
H2	12	12.5 mm Id. Plain Washer
H3	8	M8 x 1.25 x 75mm Lg. Hex Head Bolt
H4	12	8mm Id. Plain Washer
H5	8	M8 x 1.25 Nylon Lock Nut
H6	4	M8 x 1.25 x 30mm Lg. Hex Bolt
H7	8	M8 x 1.25 x 12mm Lg. Button Head Socket Cap Screw
H8	4	Rectangle End Cap
H9	2	Square End Cap
H10	2	M10 x 50mm Hexagon socket bolt
H11	2	M10 Nylon Lock Nut
	1	5 mm Hex Key
	1	6 mm Hex Key
	1	3 mm Drill
	1	14mm Drill Bit

Contents		
Ref.	Qty.	Description
1	1	Template
2	4	Guard Rail Post
3	1	Left Entry Guard Rail Post
4	4	Support Bracket
5	4	Guard Rail
6	1	Right Entry Guard Rail Post
7	4	240mm Inner Sleeve (Long)
8	1	Door Section with Hinge Bracket
9	2	100mm Inner Sleeve (Short)
10	1	Door Section with Braker Plate

NOTE:
Drill (4) holes on the back side
Drill (8) holes on the front and side
AS SHOWN



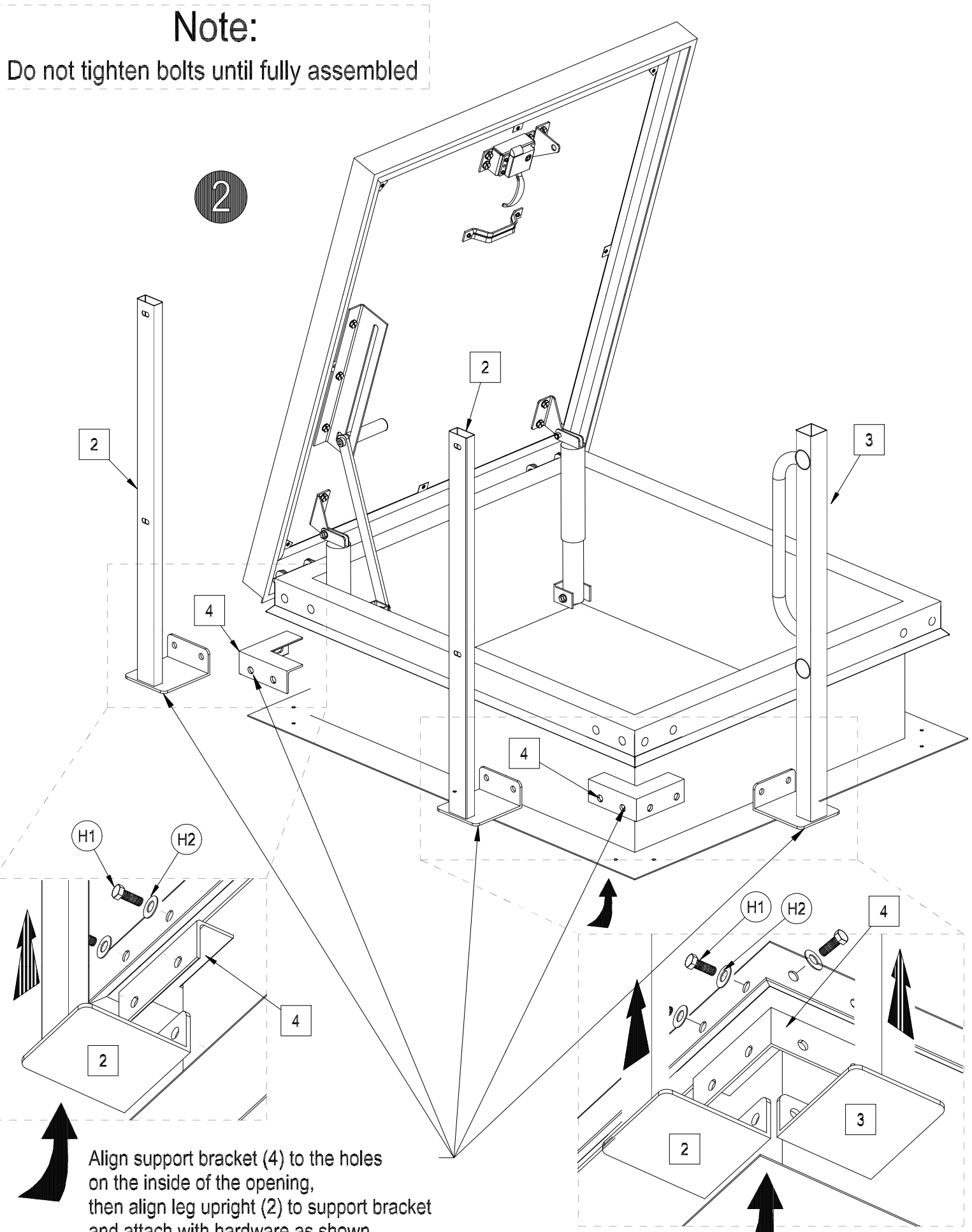
NOTE:
Align template onto the ledge of each corners
Drill pilot holes first with 3mm drill bit
then drill holes with 14mm drill bit THROUGH (1) WALL
using drill bits provided.

PREVENTIVE MAINTENANCE AND WARNING!
DO NOT USE THIS PRODUCT UNLESS ALL BOLTS AND SCREWS ARE TIGHTENED,
CHECK ALL BOLTS AND SCREWS TO BE SURE THEY ARE TIGHT.
IF ANY PARTS ARE MISSING, DAMAGED OR WORN,
STOP USE OF THE PRODUCT UNTIL REPAIRS ARE
MADE USING FACTORY AUTHORIZED PARTS.
FAILURE TO FOLLOW THESE WARNING COULD RESULT IN SERIOUS INJURY.

Note:

Do not tighten bolts until fully assembled

2

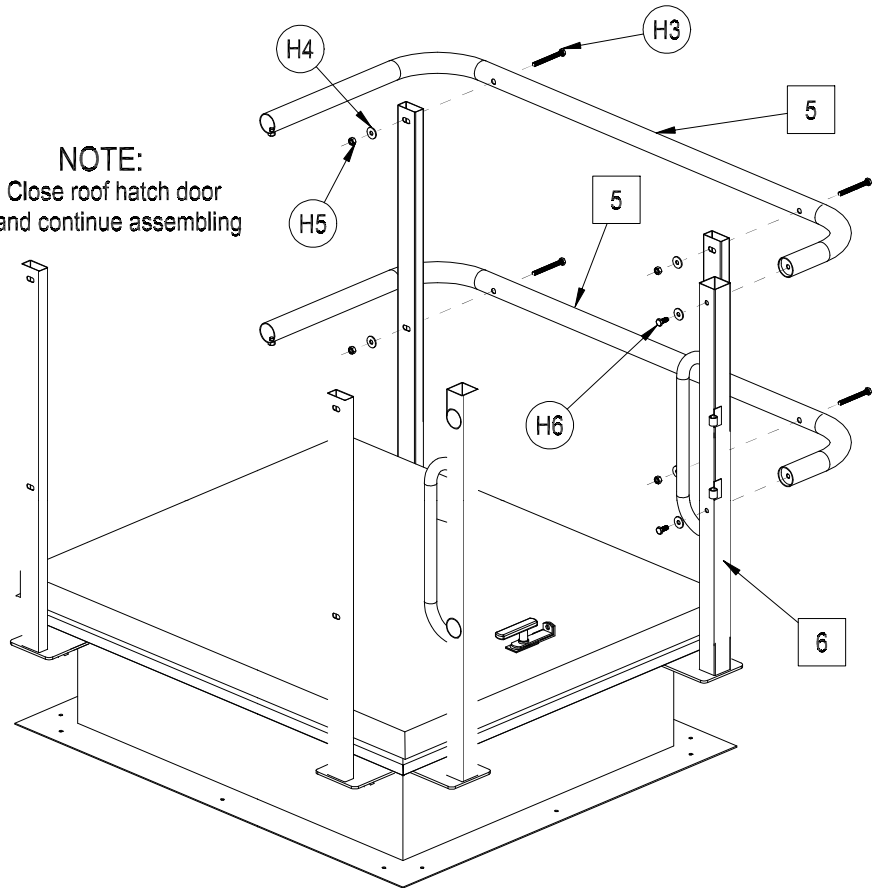


Align support bracket (4) to the holes on the inside of the opening, then align leg upright (2) to support bracket and attach with hardware as shown.

VIEW LOOKING UP

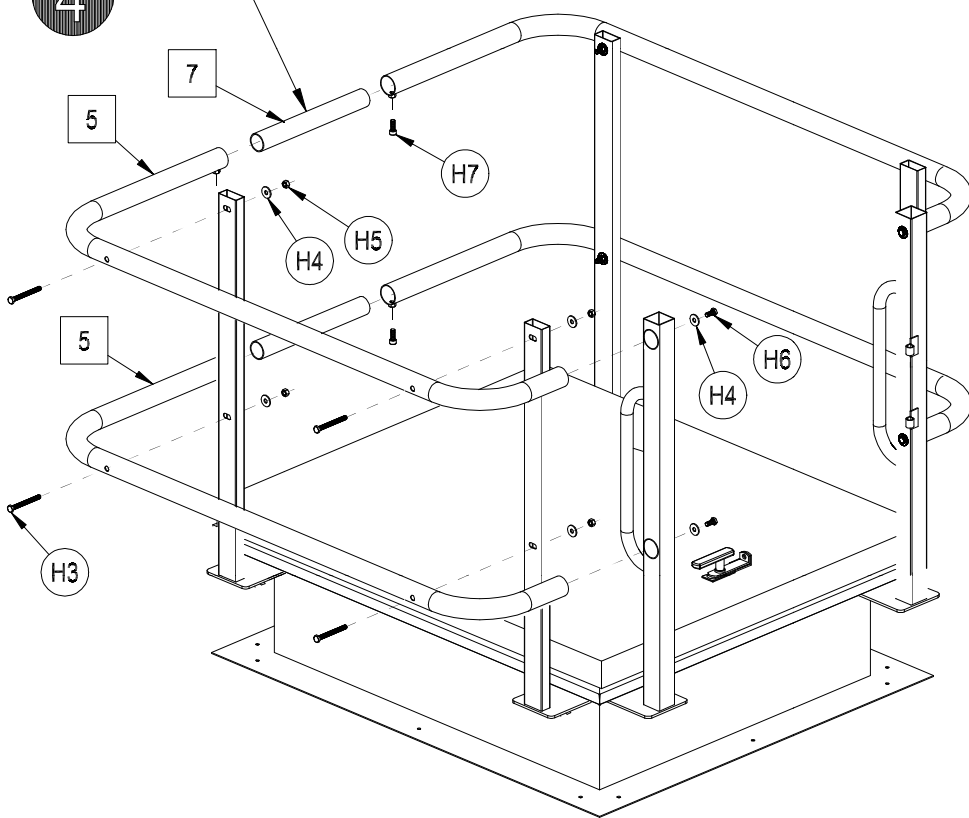
NOTE:
Close roof hatch door
and continue assembling

3



4

Adjust inner sleeve to equal distance

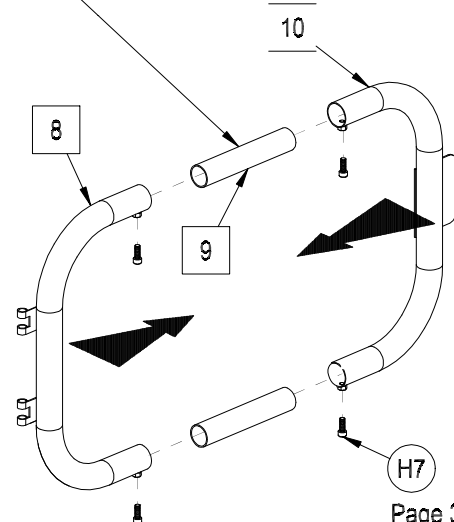


Note:

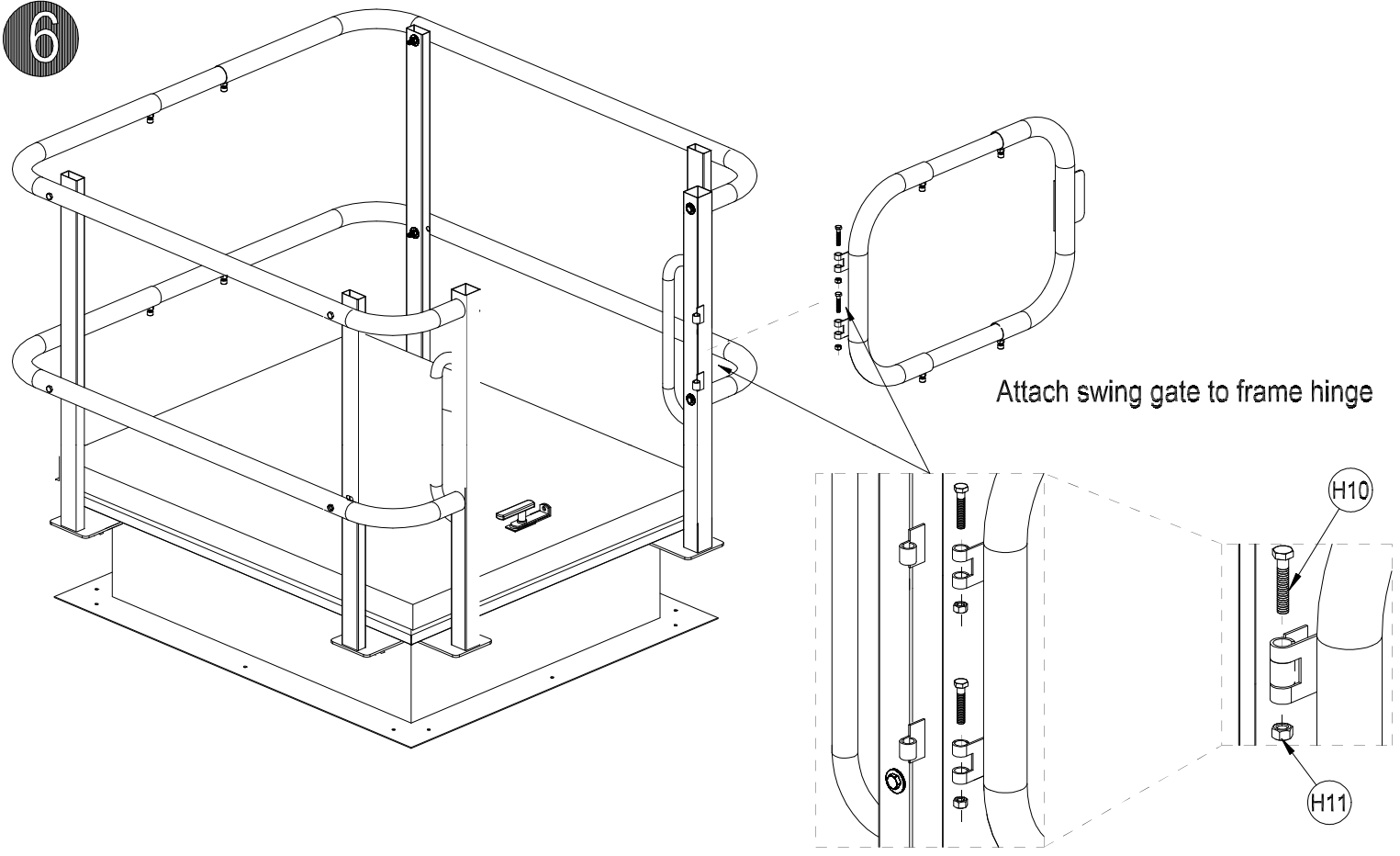
Use ref. 7 240mm inner sleeve
on the 36 x 30 roof hatch door.

Use ref. 9 100mm inner sleeve
on the 36 x 24 roof hatch door

5



6



Attach end caps

7

