

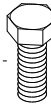
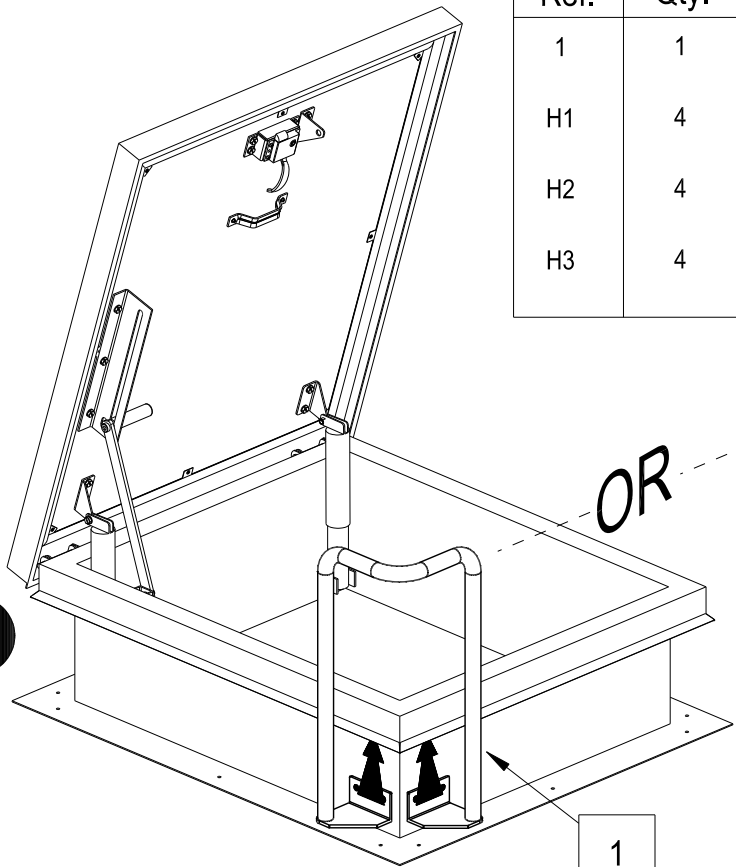


Roof Hatch Extension

Assembly Instruction

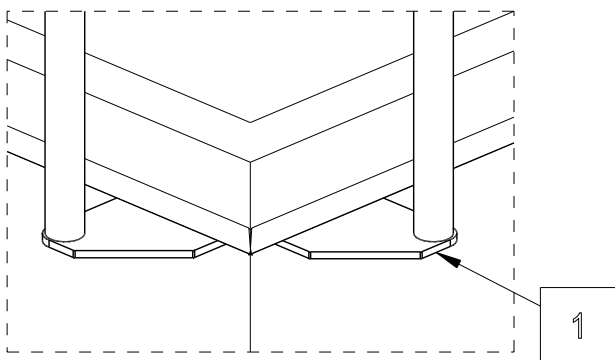
Model 713157

Contents		
Ref.	Qty.	Description
1	1	Roof Hatch Extension
H1	4	SS Plain Washer 
H2	4	SS Split Washer 
H3	4	M10 x 1.5 x 25mm Lg. SS Hex Bolt 

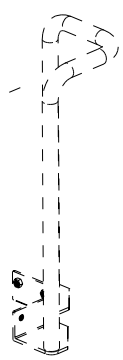


Align and push extension up until it come to rest on the ledge of the roof hatch as detail shown.

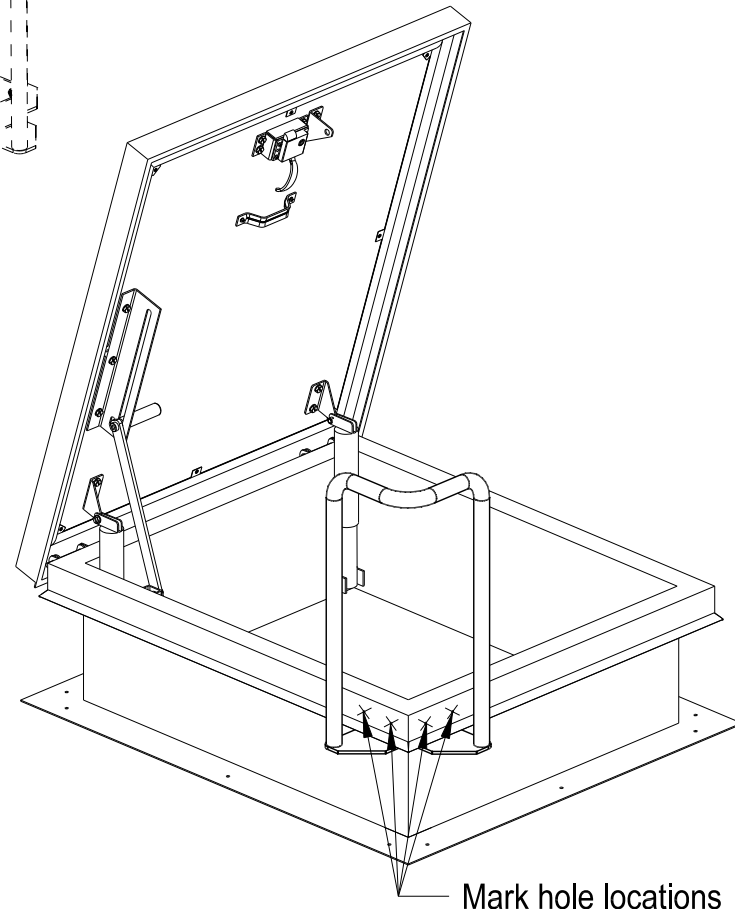
Detail



OR

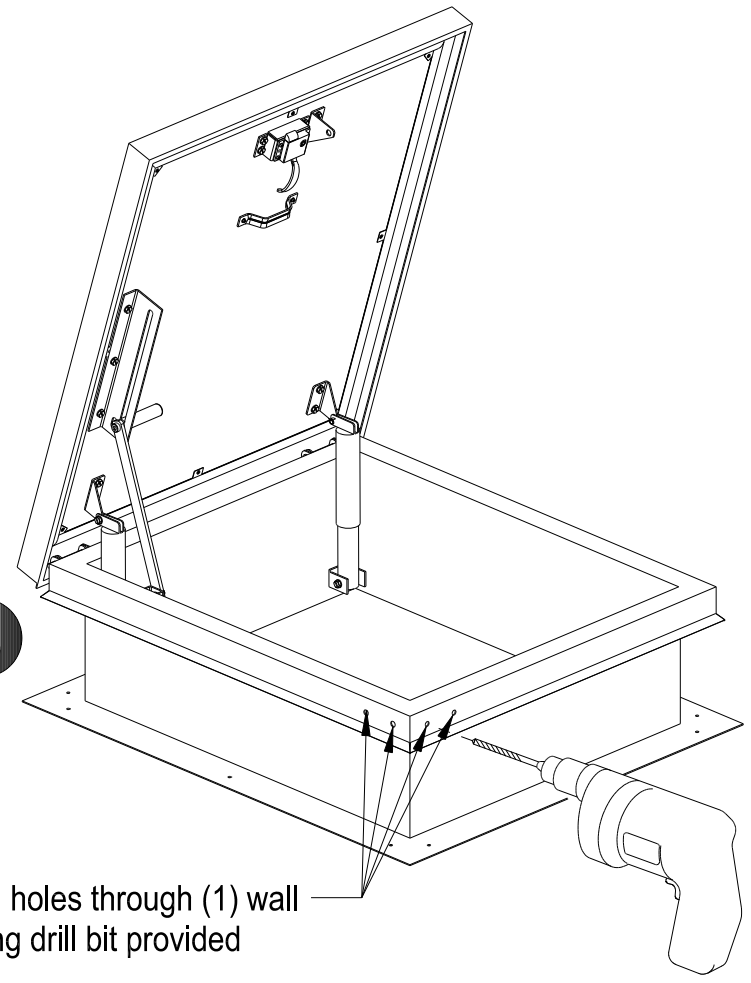


2



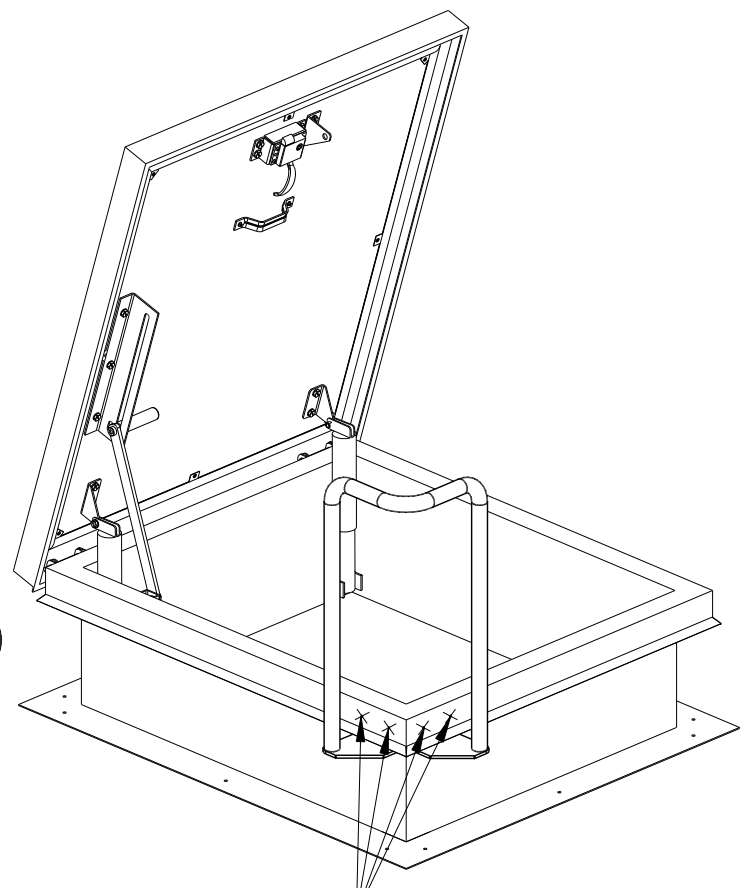
3

Drill holes through (1) wall using drill bit provided

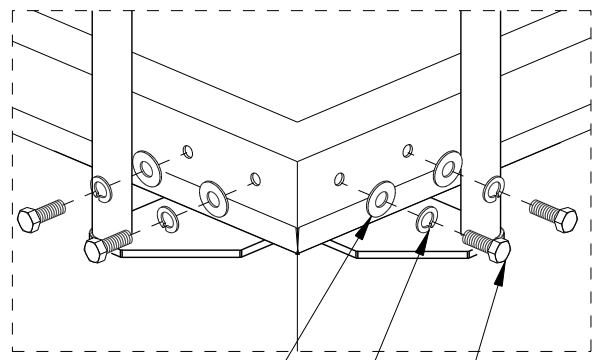


4

Align and attach extension using hardware provided



Detail



H1 H2 H3