

User's manual
Manual del usuario
Manuel de l'utilisateur
Customer Service
 US: 1-800-645-2986

Servicio de atención al Cliente
 US: 1-800-645-2986

Service à la clientèle
 Canada: 888-645-2986

Semi-Recessed, Fire Extinguisher Cabinet

Model: 670599 (Fits 10 lb Ext.)

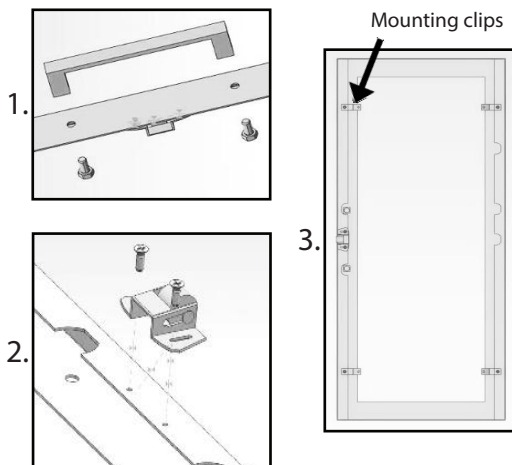
⚠ WARNING

- If mounting to building wall, check for electrical wire, plumbing or potentially dangerous hazards
- If mounting to steel post or beam, contact professional service company to mount cabinet

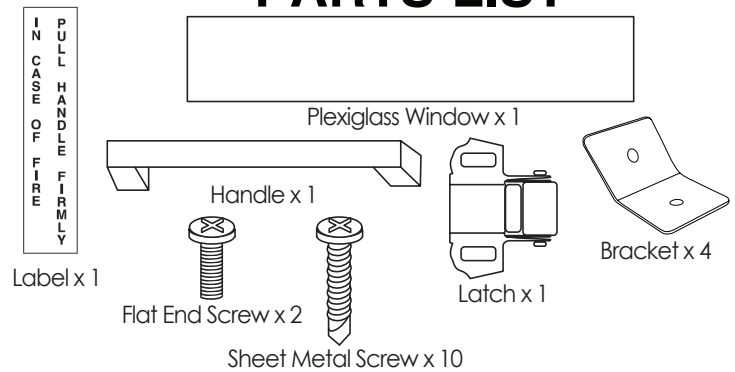
ASSEMBLY INSTRUCTIONS

1. Using a Phillips head screw driver, attach the handle to the door using two flat end screws.
2. Attach the latch to the inside of the door using two sheet metal screws.
3. Remove the protective film from the plexiglass window and place it on the inside of the door. Fold the sheet metal mounting clips over the window.
4. Place the safety label on the front face of the door, under the handle.

Figures:



PARTS LIST



MOUNTING INSTRUCTIONS

- For wall studs, locate a stud and use 2 #10 x 1 1/4" wood screws for either the left or right side of the cabinet, or build a frame with brackets and 2x4s (not included) between studs and mount the cabinet to the frame.
- For cinderblock or cement, use 1/4" toggle bolts or #10 masonry lead screw expansion anchors.
- For concrete or tile wall, use #10 masonry lead screw expansion anchors.

NOTE: wood screws, toggle bolts, masonry anchors and other mounting hardware not included.

Cabinet Front and Rear

