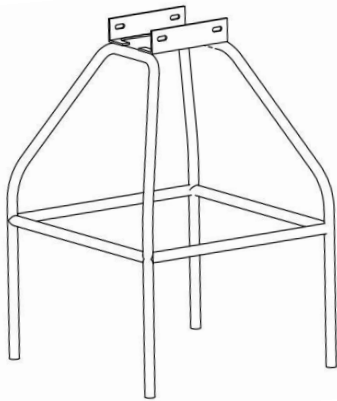


User's manual	Manual del usuario	Manuel de l'utilisateur
Customer Service US: 1-800-645-2986	Servicio de atención al Cliente US: 1-800-645-2986	Service à la clientèle Canada: 888-645-2986

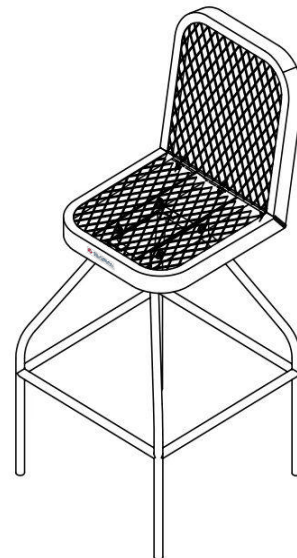
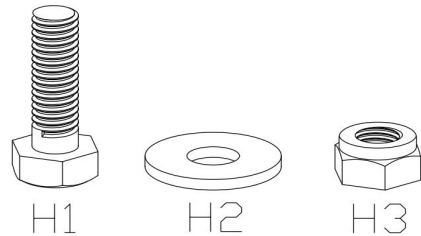
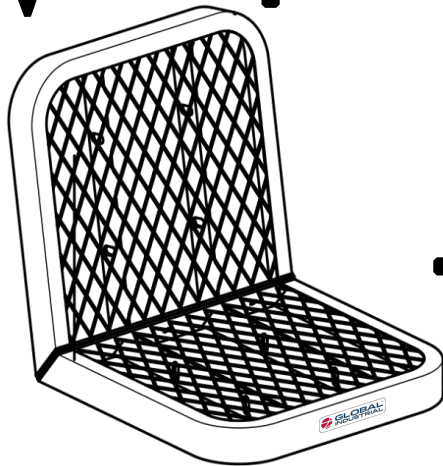
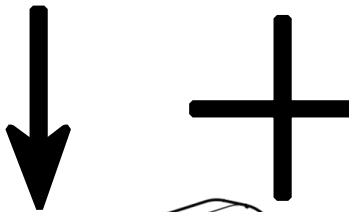
Expanded Metal Food Court Chair

Model: 348114



Contents

Ref.	Qty.	Description	Ref.	Qty.	Description
1	2	Backrest surface	H1	7	M8 x 25 mm Hex Bolt
2	1	High leg	H2	14	Washer
			H3	7	M8 Nylon Lock Nut



Warning

- Assembly and installation of equipment should be performed by 2 people.
- Workers should use OSHA approved safety and lifting equipment.

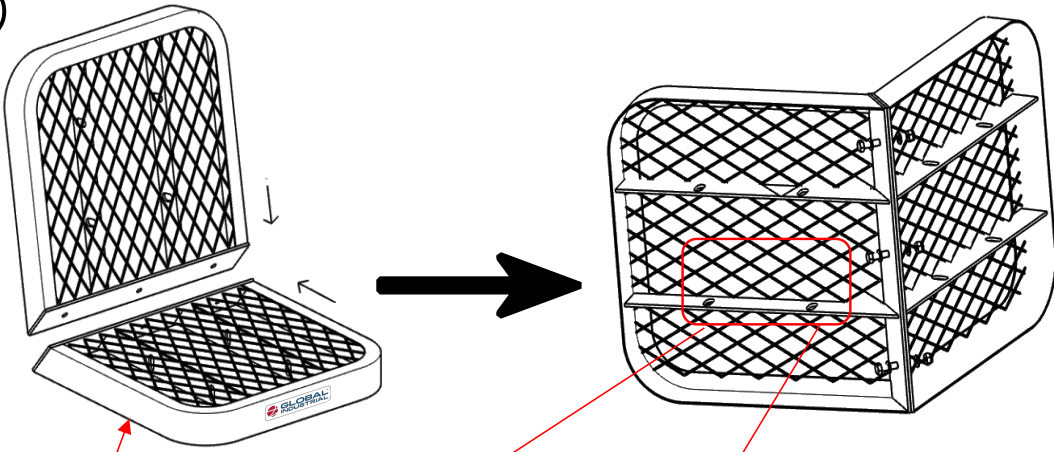
Warning

- Ensure that the bench is installed on a level surface.
- Ensure surface is of a strong material, preferably concrete.
- Use proper mounting hardware.

Warning

- Do not climb on, under or through tables and benches.
- Two people required to move tables and benches.
- Do not use if any parts of bench or table are broken or damaged.
- Inspect and tighten hardware every six months.
- Replace rusted hardware and damaged components.

①



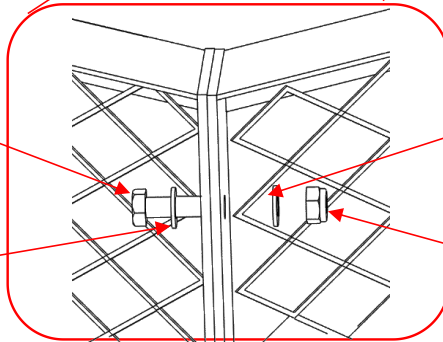
1

H1

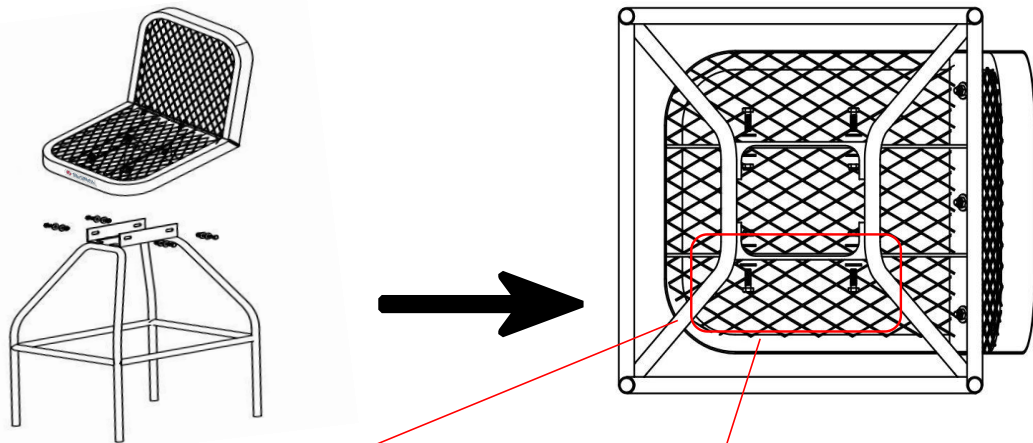
H2

H2

H3



②



H1

H2

H2

H3

