

Assembly Instructions
Instrucciones de Ensamblaje
Directives d'assemblage

 Customer Service
 US: 1-800-645-2986

 Servicio de atención al Cliente
 US: 1-800-645-2986

 Service à la clientèle
 Canada: 888-645-2986

46" Round Carousel Picnic Table

Parent Model # 277590BK/BL/GN

Picnic Table Top: 277CP59BK/BL/GN

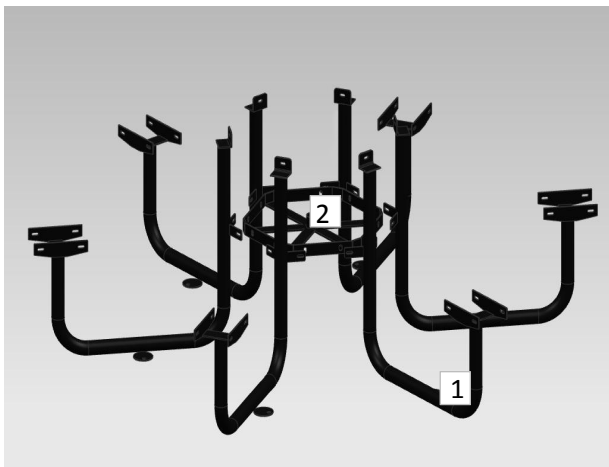
Picnic Seats: 277CP60BK/BL/GN

Base & Legs: 277CP61

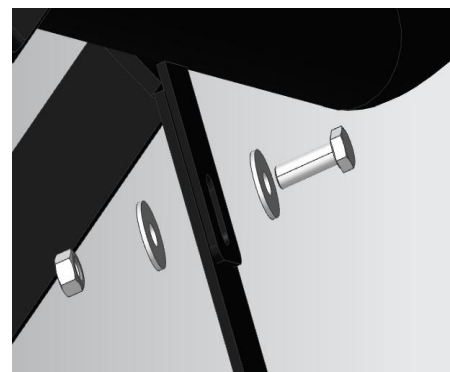

CONTENTS

Ref.	Qty.	Description
1	6	Leg
2	1	Leg Support Frame
3	1	Table Top
4	6	Seats
H1	30	M8*25 Hex Bolt
H2	42	M8 Nut
H3	84	Washer
H4	1	M8*30 Hex Bolt
H5	12	M8*20 Hex Bolt
H6	6	Expansion screw kit

- ① Fix the 6 legs to the leg support frame.

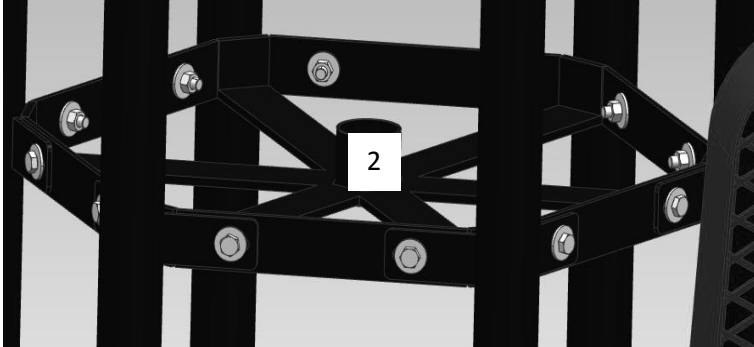


Detail 1

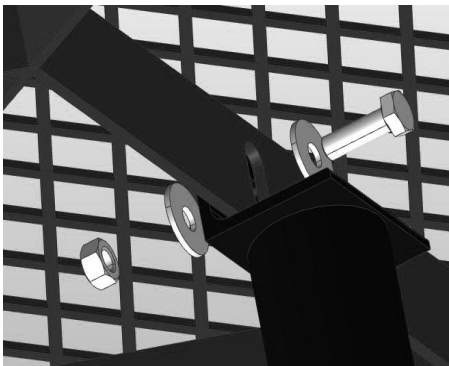

 Per Set
 H5 (x1)
 H2 (x1)
 H3 (x2)

46" Round Carousel Picnic Table

Detail 2



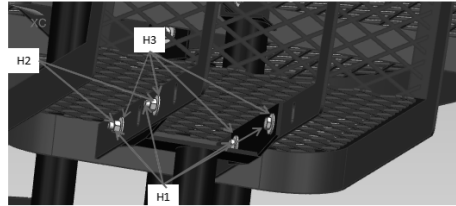
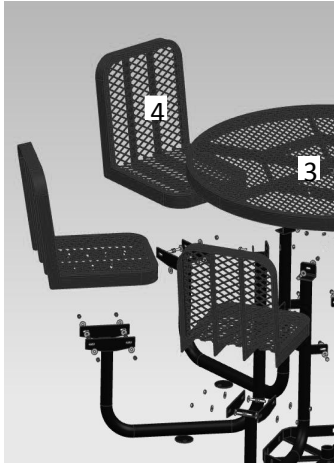
② Attach table top to legs.



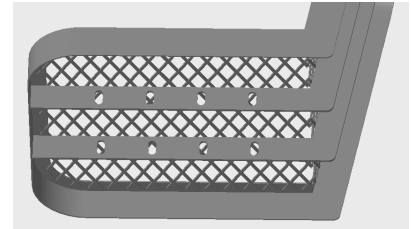
Per Set
H1 (x1)
H2 (x1)
H3 (x2)

46" Round Carousel Picnic Table

③ Attach seats to legs.

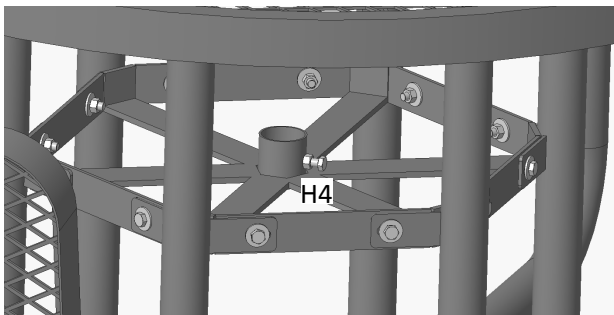


Note that the leg brackets gets fastened in between the chair bracket.



Multiple holes on the chair allows seating space to be adjusted closer or farther from table.

④ Attach hex bolt to leg support.



⑤ Fix picnic table to ground.

