

**Assembly Instructions**
**Instrucciones de Ensamblaje**
**Directives d'assemblage**

 Customer Service  
 US: 1-800-645-2986

 Servicio de atención al Cliente  
 US: 1-800-645-2986

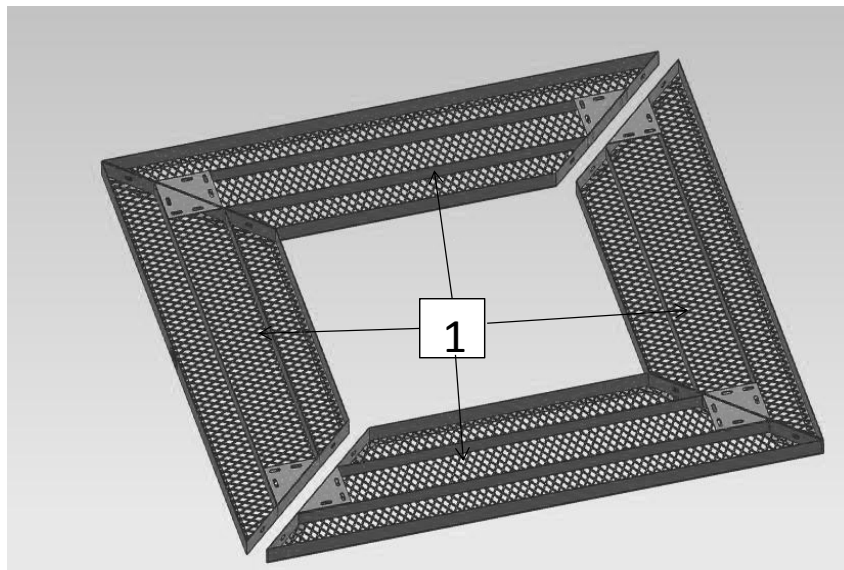
 Service à la clientèle  
 Canada: 888-645-2986

# 72" 4 Sided Expanded Metal Tree Park Bench

 Parent Model # 277510BK/GN  
 Bench Top: 277CP51BK/GN  
 Legs: 277CP52


CONTENTS		
Ref.	Qty.	Description
1	4	Bench Tops
2	4	Legs
H1	32	M8 x 1.25 x 25mm Lg. Hex Bolt
H2	32	M8 x 1.25 Nylon Lock Nut
H3	64	Washer
H4	24	Plastic Caps

- ① Place bench tops face down on the floor. Position benches as seen below, leaving you with 2 sets of "L" shaped benches.

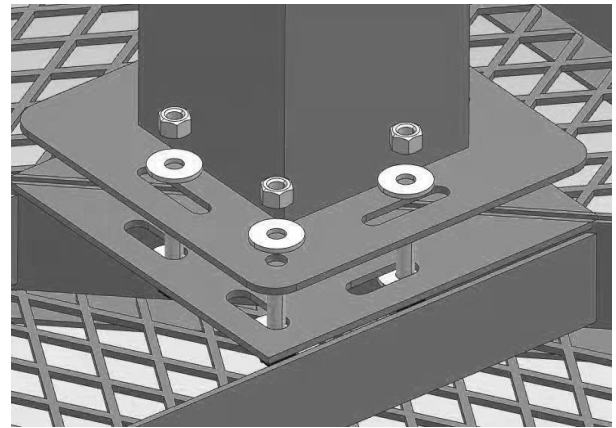
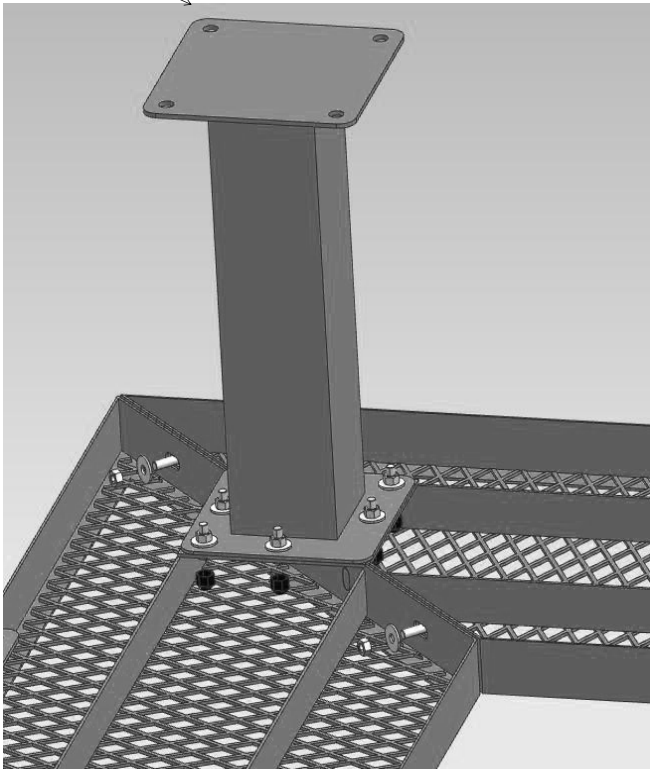


1

# 72" 4 Sided Expanded Metal Tree Park Bench

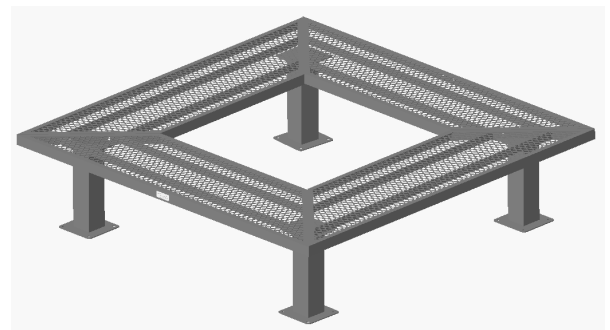
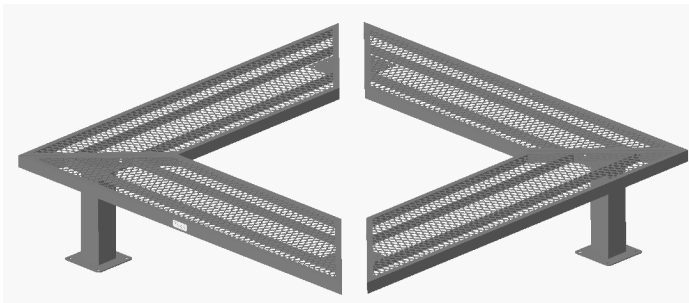
- ② Attach two legs on opposite corners. First, fasten bolts that connect the benches directly. Second, fasten bolts that connect leg to bench directly. Attach plastic caps to bolts on leg.

2



- Fastener Set  
 H1 (x1)  
 H2 (x1)  
 H3 (x2)  
 H4 Leg bolts only (x1)

- ③ Turn benches face up and repeat steps 1 and 2 to connect the two benches around the tree.



Through holes on bench legs serve as anchoring locations. (Hardware not included)