



**GLOBALTM
INDUSTRIAL**

We can supply that.[®]

User's manual

Manual del usuario

Manuel de l'utilisateur

Customer Service
US: 1-800-645-2986

Servicio de atención al Cliente
US: 1-800-645-2986

Service à la clientèle
Canada: 888-645-2986

Child's Rectangular Outdoor Picnic Table

Models:

48" Expanded Metal 695485KBK/BL/GN/RD
72" Expanded Metal 277152KBK/BL/GN/GY/RD
96" Expanded Metal 277153KBK/BL/GN/GY/RD
72" Perforated Metal 694553KBK/BL/GN/GY/RD
96" Perforated Metal 694555KBK/BL/GN/GY/RD



These Assembly instructions and Warnings should be retained by maintenance or safety department for future reference. Routine maintenance and inspection of the equipment should be performed every six months. Damaged and worn parts should be removed from service until replaced or repaired to prevent safety hazards.

⚠ WARNING ⚠

- Assembly and installation of equipment should be performed by 2 people.
- Workers should use OSHA approved safety and lifting equipment.

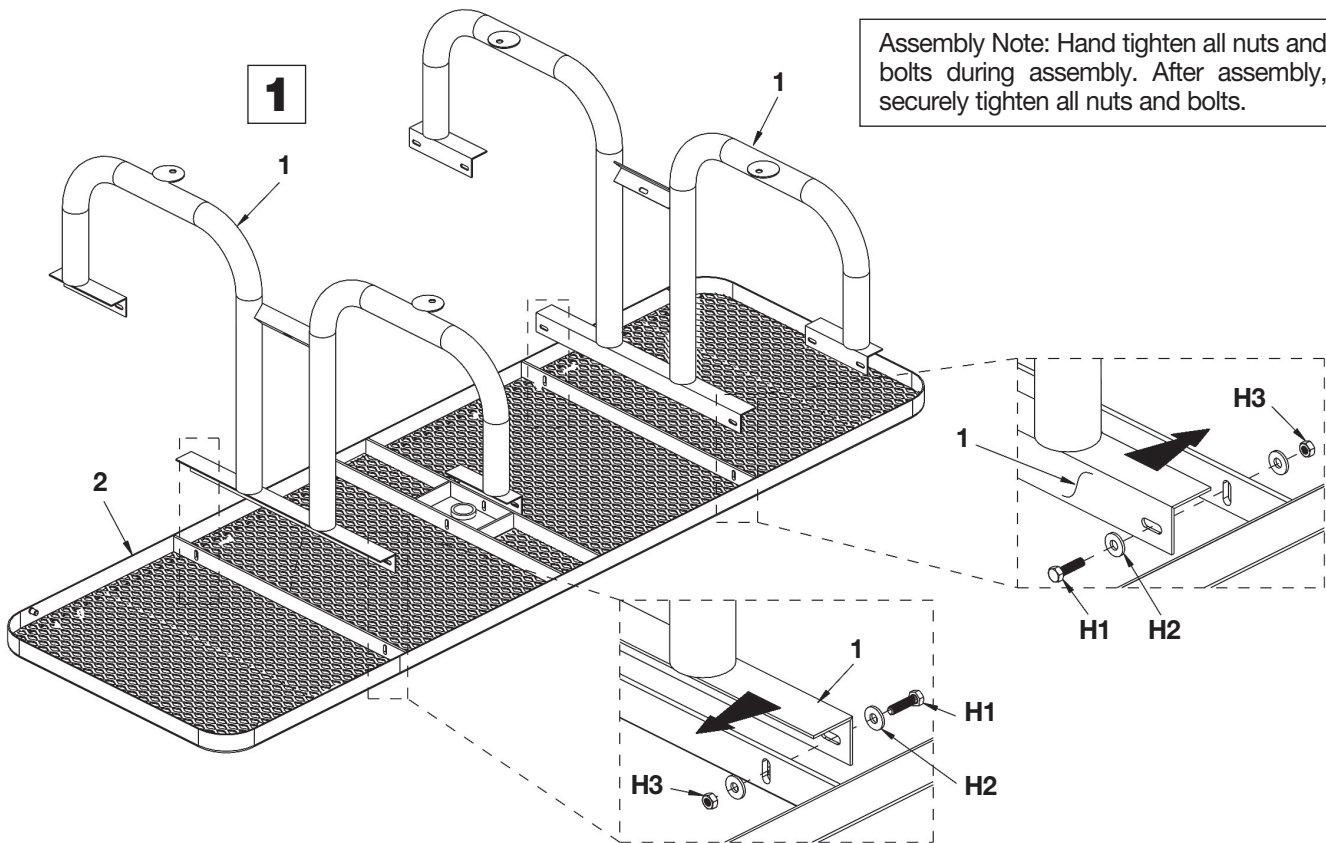
⚠ WARNING ⚠

- This product contains chemicals which are known by the state of California to cause cancer, birth defects or other reproductive harm.

⚠ WARNING ⚠

- Do not climb on, under or through tables and benches.
- Two people required to move tables and benches.
- Do not use if any parts of bench or table are broken or damaged.
- Inspect and tighten hardware every six months.
- Replace rusted hardware and damaged components.

Child's Rectangular Metal Mesh Picnic Table



Assembly Note: Hand tighten all nuts and bolts during assembly. After assembly, securely tighten all nuts and bolts.

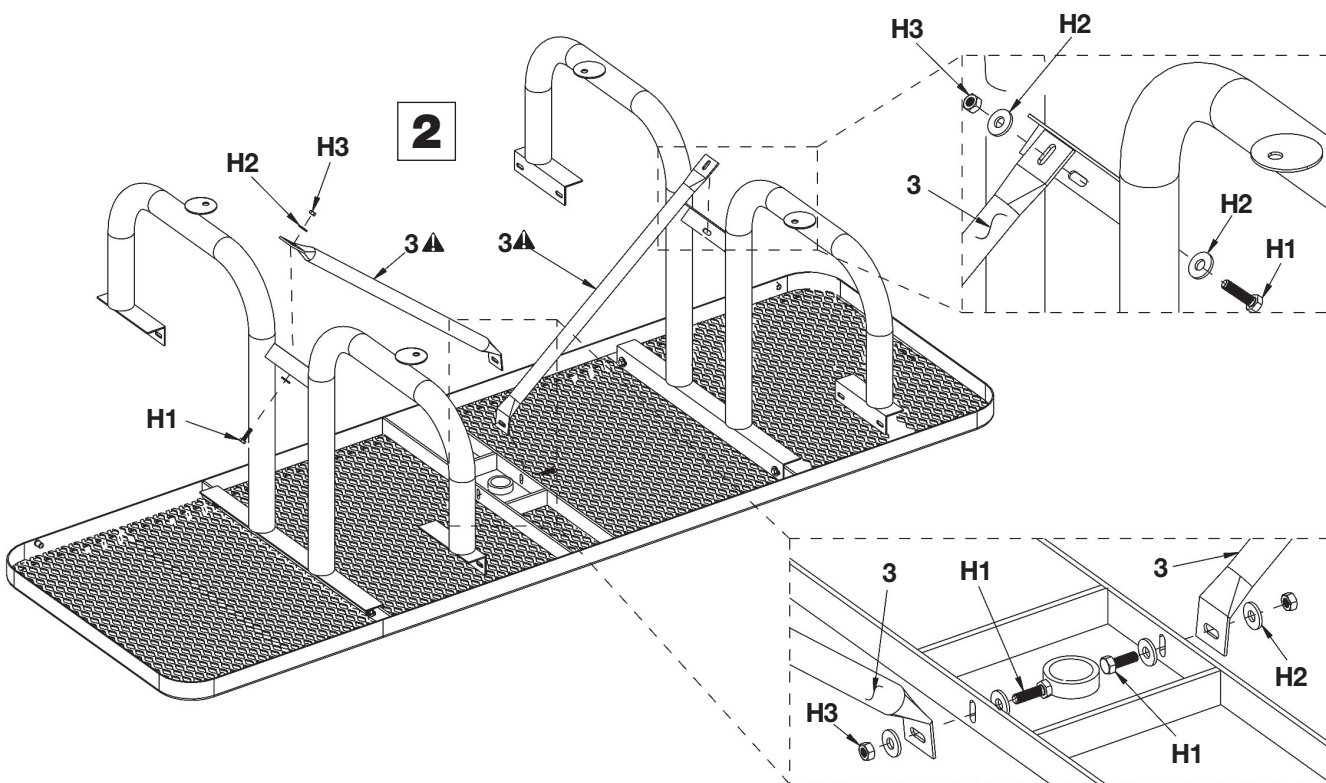
CONTENTS					
Ref.	Qty.	Description	Ref.	Qty.	Description
1	2	Leg	H1	16	M8 x 1.25 x 1.75 Lg. Hex Bolt
2	1	Top	H2	32	Plain Washer
3▲	4	Leg Support	H3	16	M8 x 1.25 Nylon Lock Nut
4	2	Bench			

⚠ CONTENT WARNING

Content Note: Total assembly comes with 2 sets of leg supports (Ref 3.) - Total Qty. 4

Only use leg supports that come with base.

Do not use leg supports that come with table Top.



Child's Rectangular Metal Mesh Picnic Table

3

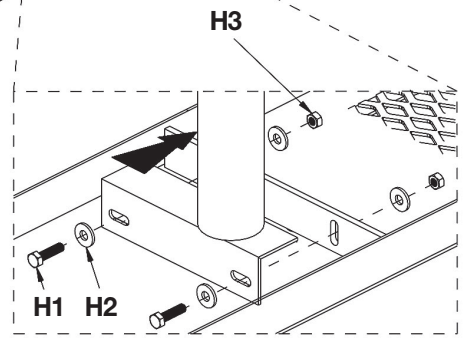
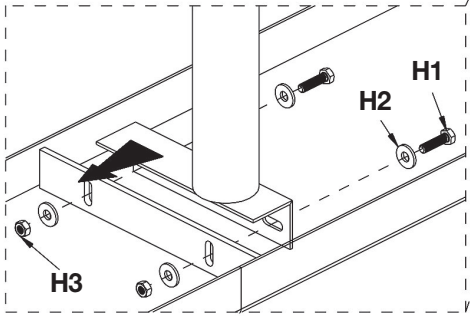
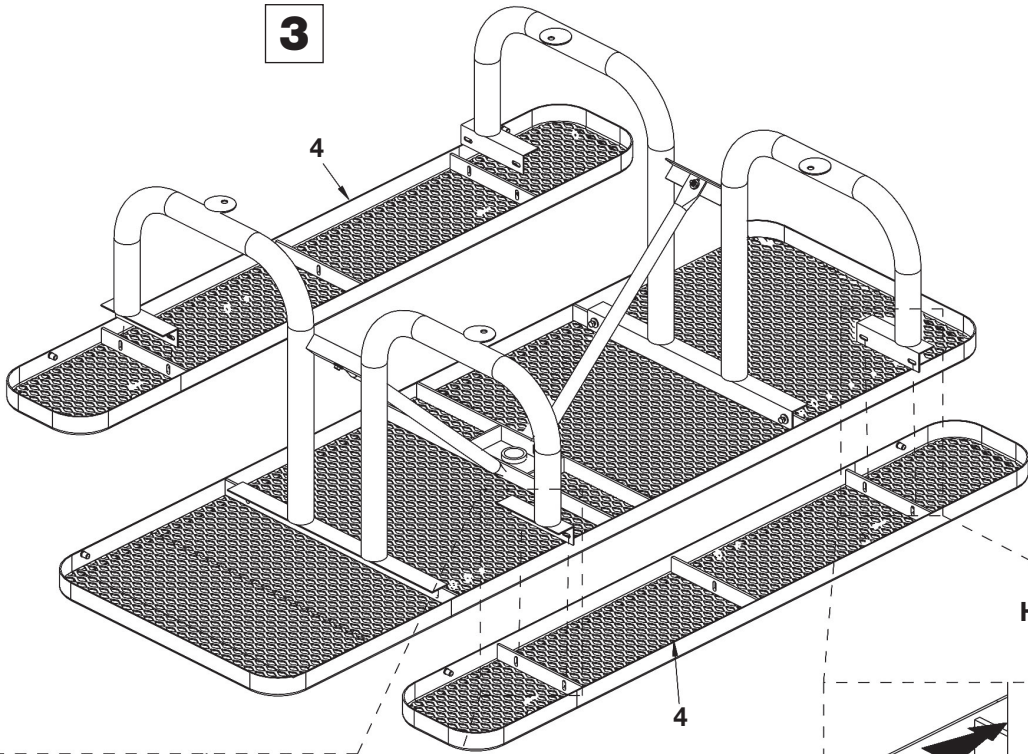


Table MUST be anchored to floor with appropriate Hardware.

4

