

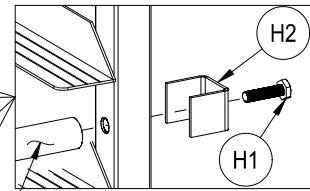
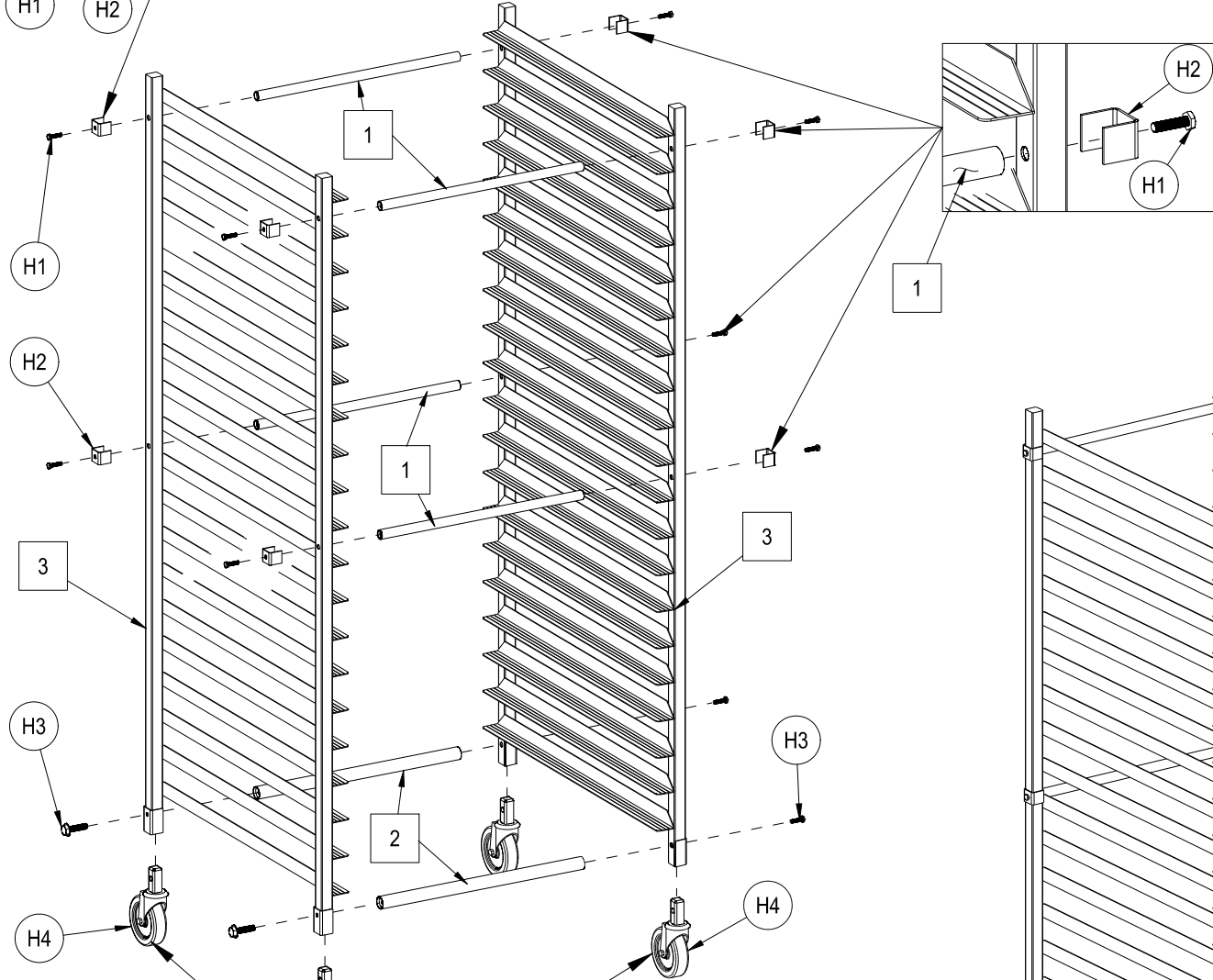
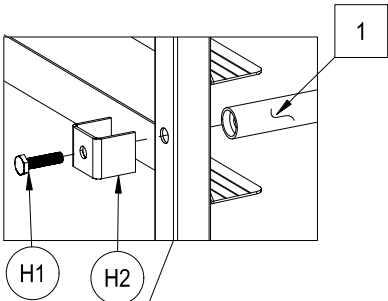


NEXEL PAN RACK

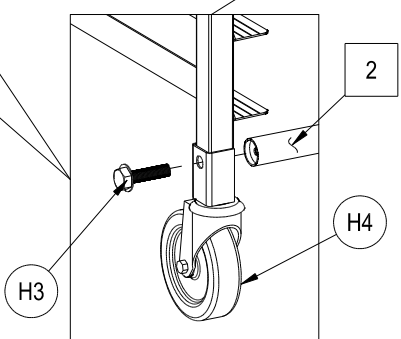
Assembly Instruction

Model PR2126 (242939)

CONTENTS		
REF.	QTY.	DESCRIPTION
1	4	TIE BAR (SMALL)
2	2	TIE BAR (LARGE)
3	2	TRAY RACK
H1	8	1/4 - 20 x 1" Hex Bolt
H2	8	U-bracket
H3	4	3/8 - 16 x 1 3/4" Serrated Flange Hex Bolt
H3	4	5" Dia. Square Neck Swivel Caster



1



2

