

**OWNER'S
MANUAL**
Read and save
these instructions

JetAire™

High Velocity Fan

IMPORTANT: READ INSTRUCTIONS CAREFULLY BEFORE ATTEMPTING TO INSTALL, OPERATE OR SERVICE THIS FAN. FAILURE TO COMPLY WITH INSTRUCTIONS COULD RESULT IN PERSONAL INJURY AND/OR PROPERTY DAMAGE. RETAIN INSTRUCTIONS FOR FUTURE REFERENCE.



*JetAire Shown
with Optional
Oscillator and
Pedestal*

CAUTION - SAFETY RULES

WARNING - TO REDUCE THE RISK OF FIRE, ELECTRIC SHOCK, OR INJURY TO PERSONS, OBSERVE THE FOLLOWING:

Use this unit only in the manner intended by the manufacturer. If you have questions, contact the manufacturer.

Before servicing or cleaning unit, switch power off at service panel and lock service disconnecting means to prevent power from being switched on accidentally. When the service disconnecting means cannot be locked, securely fasten a prominent warning device, such as a tag, to the service panel.

Installation Work And Electrical Wiring Must Be Done By Qualified Person(s) In Accordance With All Applicable Codes And Standards, Including Fire-rated Construction.

Permanent Grounding must be used.

DO NOT USE AN EXTENSION CORD.

WARNING: TO REDUCE THE RISK OF FIRE OR ELECTRICAL SHOCK, DO NOT USE THIS FAN WITH ANY SOLID-STATE FAN SPEED CONTROL DEVICE.

CAUTION - For General Ventilating Only, Do Not Use To Circulate Hazardous Or Explosive Materials And Vapors.



INSTALLATION RECORD Please complete for future use.

Model # _____ Serial # _____

Purchased from _____

Date Purchased _____ Date installed _____



TRIANGLE ENGINEERING OF ARKANSAS, INC.

E-mail: mail@trianglefans.com • Website: www.trianglefans.com

1101 North Redmond Road • Jacksonville, Arkansas 72076 • (501) 982-7558 • Fax (501) 982-5691 • **1-800-255-9014**

NOTICE: READ ALL INSTRUCTIONS BEFORE STARTING ANY INSTALLATION AND WIRING.

ELECTRICAL WIRING

CAUTION - If this product is to be use out-of doors or in areas of extreme moisture, all electrical wiring and components must be weather-proof or in moisture-proof enclosures and comply with local and national electrical codes. Installation and wiring must be done by a qualified person.

115/230/60/1 INSTALLATION

If your fan or fan/oscillator is supplied with 115 or 230 Volt single-phase motors, it is recommended that a WEATHER-PROOF, GROUNDED electrical outlet be installed close to the product. This will permit the plug(s) furnished with the JetAire to be conveniently removed should your fan require service.

230/460/60/3 INSTALLATION

If supplied with 230 or 460 Volt Three Phase fan motor, your fan will require connection directly to the power source since product is supplied without a plug.

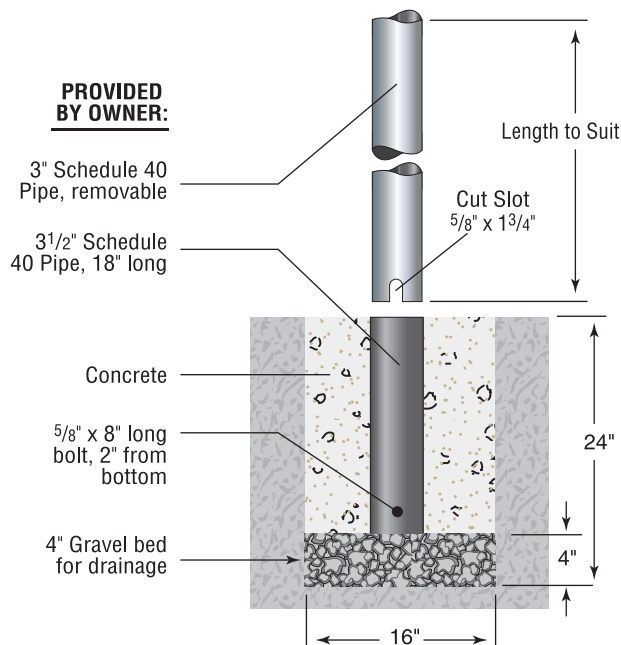
NOTE: ALTHOUGH THE FAN MOTOR IS THREE PHASE, THE OSCILLATOR MOTOR IS SINGLE PHASE AND WILL REQUIRE CONNECTION OF TWO WIRES PLUS THE GROUND.

If power source is in a moist or wet area, all components and connections must be water proof.

PREPARATION

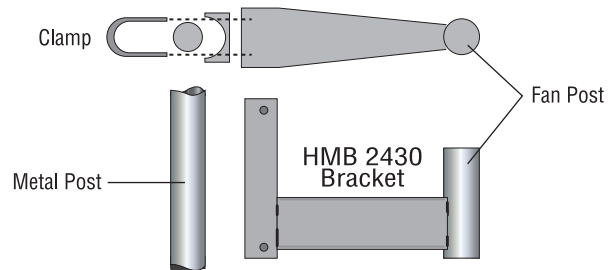
IN-GROUND INSTALLATION WITH REMOVABLE POST:

- **NOTE:** It may be desirable to install electrical through the center of the post. If so, this must be done prior to installation of concrete.
- Prepare hole in ground as shown below. Depth should be below frost line or a minimum of 24".
- Cut removable pipe to length and cut slot in bottom as shown. Pipe may be any length to meet your requirements. Before installing pipe, it should be painted with a good grade of rust inhibitor.
- Install electrical and JetAire.



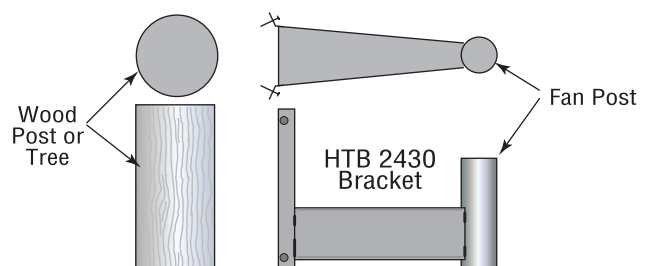
ROUND METAL POST:

- This installation requires the OPTIONAL "HMB 2430" HORIZONTAL MOUNTING BRACKET.
- Using the proper size clamps for your specific column, (clamps not furnished with bracket) mount Horizontal Mounting Bracket as shown below.
- Once bracket is installed, proceed with electrical wiring and installation of JetAire.



WOOD POST OR TREE MOUNT:

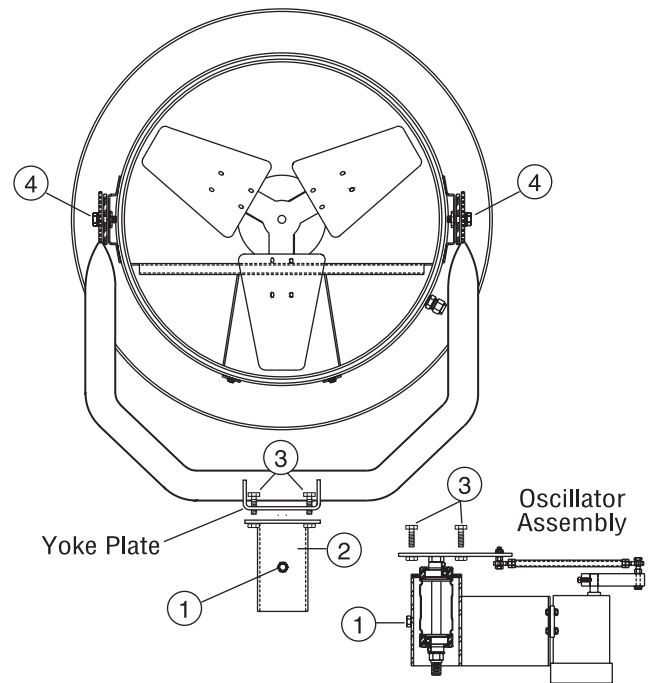
- For wood post or tree mount, it is necessary to purchase the OPTIONAL "HTB 2430" TREE/POST MOUNTING BRACKET.
- Install bracket at desired height above ground/floor using 1/2" x 6" lag screws or 1/2" through bolts, washers and nuts.
- Once bracket is installed, proceed with electrical wiring and installation of JetAire.



JETAIRE MOUNTING BRACKET ASSEMBLY

The “HV” fan(s) you purchased are supplied with either the Standard Mounting Bracket or the Optional Oscillating Assembly.

- To attach either of these to the fan yoke, simply match the four holes in the yoke plate to the four holes in either the cap(2) or the oscillator assembly.
- Insert the four bolts (3), install nuts and tighten.
- Your JetAire may now be assembled to the In-Ground Post, Pedestal, Horizontal or Tree Mounting Bracket.
- NOTE: Before attempting to install your fan on any of these mounts, it will be necessary to loosen set screw (1), as shown on right, so that the point does not protrude into the I.D. of the cap.
- With the JetAire installed on the mount and facing the desired direction, tighten set screw.



TILT ADJUSTMENT

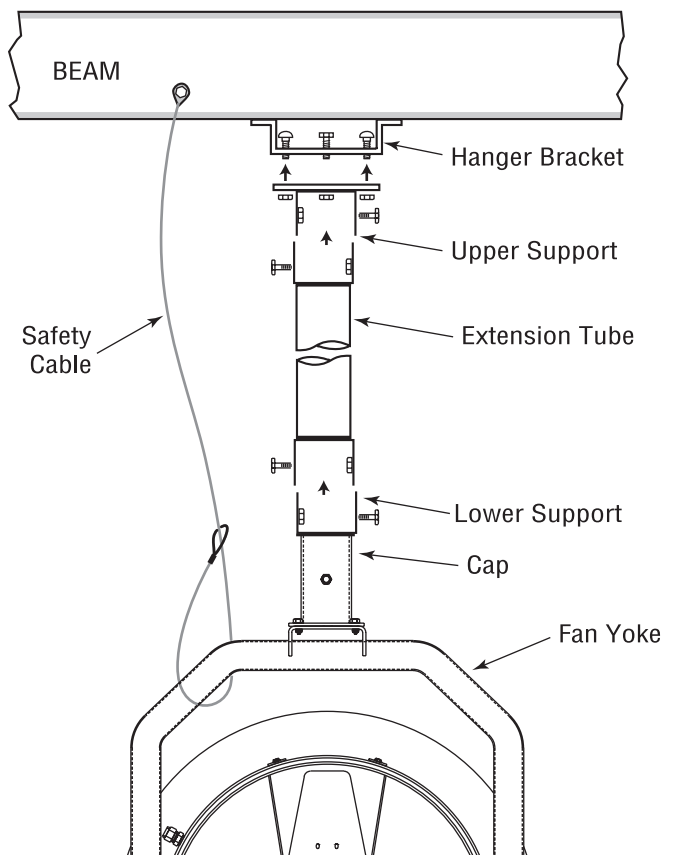
To tilt the JetAire, loosen bolts (4) on each side of yoke, position fan and retighten bolts.

INVERTED BEAM MOUNTING

This installation requires the purchase of the OPTIONAL MODEL “VMB 2430” VERTICAL MOUNTING BRACKET

(Note the “D” dimension as shown on Manufacturer’s Literature)

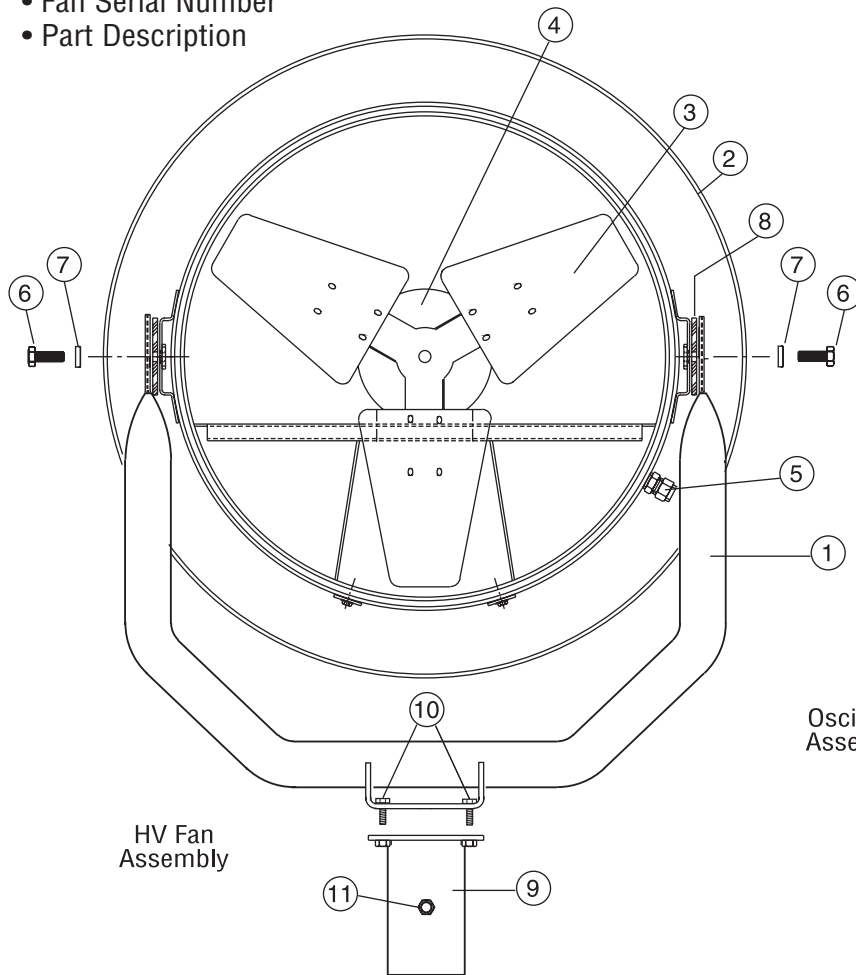
- Weld or bolt Hanger Bracket to horizontal beam. Bracket must be located a minimum of 24” from walls and other vertical obstructions.
- Using ONE 1/2” x 1” bolt with nut, attach Upper Support to Hanger Bracket.
- Attach extension tube to Upper Support with TWO 1/2” x 1” bolts and nuts.
- Lift JetAire into position and attach the Lower Support to Extension Tube with TWO 1/2” x 1” bolts and nuts.
- Turn JetAire in desired direction and place 5/16” x 1” carriage bolts and nuts in slots of Hanger Bracket and Upper Support. BE SURE ALL BOLTS AND NUTS ARE TIGHT.
- Loop safety cable around fan yoke as shown on right and attach opposite end to beam.



REPAIR & REPLACEMENT PARTS

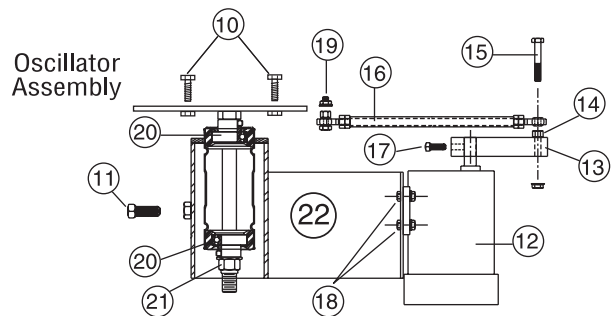
WHEN ORDERING PARTS, GIVE:

- Fan Model Number
- Fan Serial Number
- Part Description



HV Fan Assembly

No.	Description	Qty.
1.	Yoke Assembly.....	1
2.	Barrel Assembly.....	1
3.	Blade Assembly.....	1
4.	Motor.....	1
5.	Strain Relief Bushing.....	1
6.	1/2" x 1" Hex Head Bolt.....	2
7.	1/2" Flat Head Washer.....	2
8.	Rubber Friction Washer.....	2
9.	Cap Assembly.....	1
10.	3/8" Mounting Bolt & Nut.....	4
11.	Set Screw.....	1
12.	Oscillator Motor.....	1
13.	Crank Arm.....	1
14.	Spacer.....	2
15.	Hex Bolt & Nut.....	1
16.	Linkage Assembly.....	1
17.	Set Screw.....	1
18.	Hex Bolt & Nut.....	4
19.	Hex Bolt & Nut.....	1
20.	Bearing & Seal.....	2
21.	Self Locking Hex Head Nut.....	1
22.	Entire Oscillator Assembly.....	1



Oscillator Assembly

LIMITED ONE YEAR WARRANTY

Do not return product to original place of purchase.

Triangle Engineering of Arkansas, Inc. (Manufacturer) warrants, from the date of purchase, to the original purchaser only, that the product manufactured by Manufacturer is free from defects in material and workmanship for a period of **ONE (1) YEAR**. Motors, capacitors, v-belts and switches are excluded from this warranty, but shall have a limited one year warranty from date of purchase to the original purchaser.

If a failure of the product occurs, contact the Manufacturer at: 1-800-255-9014 and give the model number of the product, the purchase date, and a description of the problem to the customer service agent.

Once the problem is diagnosed, and proof of purchase date is verified, Manufacturer will have the option of shipping the necessary repair part(s) to the Customer, freight prepaid or having the product returned to Manufacturer for repair or replacement. If the product is returned to the Manufacturer, Customer is responsible for prepayment of all inbound freight charges. Upon repair or replacement, which shall be at the discretion of Manufacturer, the Manufacturer will prepay all outbound freight charges for the return of the product to the customer. However, if Manufacturer finds product to be in operating condition and no problems are diagnosed, product will be returned to customer freight collect.

THERE ARE NO WARRANTIES WHICH EXTEND BEYOND THE DESCRIPTION ON THE FACE HEREOF.

Except as provided by this express warranty, the goods are sold "as is" without any implied warranties.

This limited warranty does not cover labor to replace warranted parts or motors, nor does it cover failure of the installer to provide adequate ventilation to meet minimum exhaust requirements, damage resulting from accident, misuse or abuse, lack of proper maintenance, improper installation, affixing of any parts or attachments not authorized by Manufacturer, or loss of parts.

In no event shall Manufacturer be liable for any special, incidental, or consequential damages; which may result from any defect in material or workmanship.

It is expressly understood that Buyer's sole and exclusive remedy shall be repair or replacement of defective parts, and that Triangle Engineering shall not be liable for injury to persons or property. Should the goods prove so defective, however, as to preclude the remedying of warranted defects by repair or replacement, the Buyer's sole and exclusive remedy shall then be a refund of the purchase price.

This warranty gives you specific legal rights, and you may also have other rights which vary from state to state.